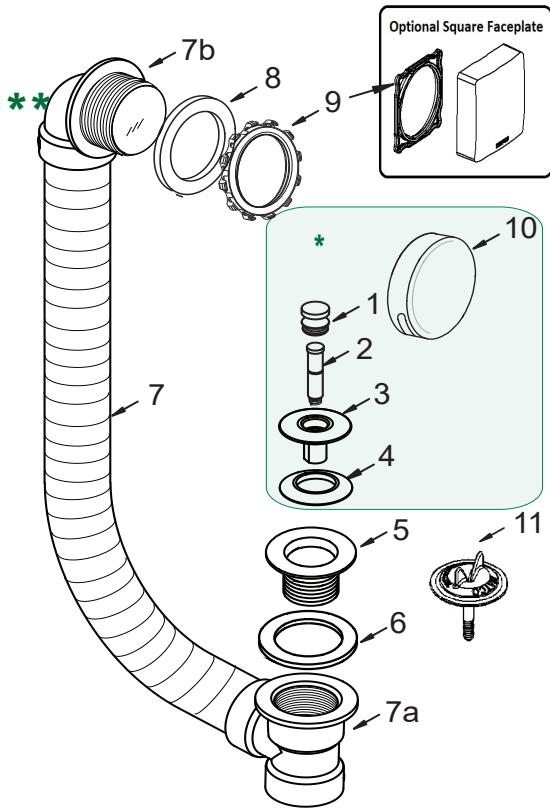


# WatcoFlex® Series

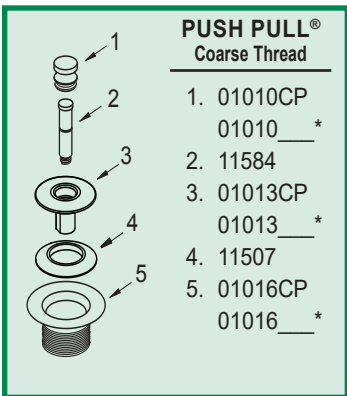


Item	Part #	Description
1	01010CP	Knob, Brass
2	11584	Friction Ring (11504) and Post (11508)
3	01013CP	Stopper, Brass
4	11507	Seal, 11/16" dia.
5	01016CP	Strainer Body, 1.865" - 11.5
6	10696	Drain EII Washer, 1.5" gray
Flexible PVC Tubing Factory-Assembled with:		
	11027	Direct Drain Tee, Schedule 40 ABS
	11020	Innovator® Overflow EII, Sch. 40 ABS
	11123	Innovator® Membrane, ABS/PVC blend
7	OR	
	14027	Direct Drain Tee, Schedule 40 PVC
	14020	Innovator® Overflow EII, Sch. 40 PVC
	11123	Innovator® Membrane, ABS/PVC blend
8	10675	Overflow EII Washer, Foam
9	11121	ABS Star Retainer Nut for Innovator®
	11127	ABS Square Retainer Nut for Innovator®
10	01004CP	Overflow Plate for Innovator®
	01007CP	Square Face Plate for Innovator®
11	11575	Test Plug with "O"-Ring-type Gasket

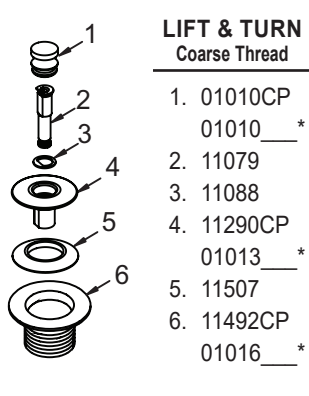
\* SF: (example: 900-PPSF) Parts #1 thru #4, and #10

\*\* RI: (example: FLEX145-PPRI) Parts #5 thru #9, and #11

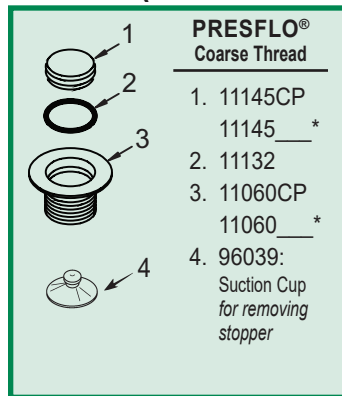
## OPTIONAL TUB CLOSURES FOR FLEX BATH WASTES (PUSH PULL® ALSO SHOWN ABOVE)



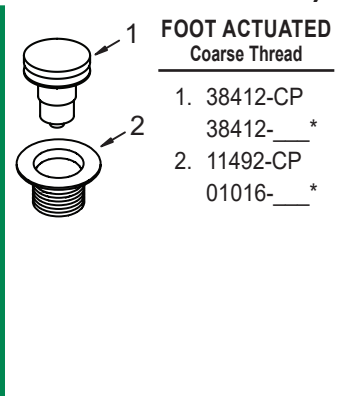
- PUSH PULL®**  
Coarse Thread
1. 01010CP  
01010\_\_\*
  2. 11584
  3. 01013CP  
01013\_\_\*
  4. 11507
  5. 01016CP  
01016\_\_\*



- LIFT & TURN**  
Coarse Thread
1. 01010CP  
01010\_\_\*
  2. 11079
  3. 11088
  4. 11290CP  
01013\_\_\*
  5. 11507
  6. 11492CP  
01016\_\_\*



- PRESFLO®**  
Coarse Thread
1. 11145CP  
11145\_\_\*
  2. 11132
  3. 11060CP  
11060\_\_\*
  4. 96039:  
Suction Cup  
for removing  
stopper



- FOOT ACTUATED**  
Coarse Thread
1. 38412-CP  
38412-\_\_\*
  2. 11492-CP  
01016-\_\_\*

\*If finish other than Chrome is desired, please use this part number and indicate desired finish.

## WHEN ORDERING, PLEASE PROVIDE THE TUB MANUFACTURER AND MODEL NUMBER.

**NOTE:** The length portion of the product number will be determined by the tub's dimensions.

**Examples:**

**FLEX145** will have 14.5" of flexible tubing;  
**FLEX170** will have 17.0" of flexible tubing.

**NOTE:** This product should not need to be stretched or compressed to fit the tub.  
If it does not fit easily, call the factory to get the correct size for that tub.

## Finishes Available in the WatcoFlex Series:

Tub Closure:	PUSH PULL®	LIFT & TURN	PRESFLO®	FOOT ACT.
AP - Aged Pewter	•	•	•	
BB - Brushed Bronze	•	•	•	•
BN - Brushed Nickel	•	•	•	•
BO - Bone	•	•		
BS - Biscuit	•	•		
BZ - Oil-Rubbed Bronze	•	•	•	•
CB - Chrome Brushed	•	•	•	•
CP - Chrome Plated	•	•	•	•
NP - Nickel Polished	•	•	•	•
PB - Polished Brass	•	•	•	•
WH - White	•	•	•	•
WI - Wrought Iron	•	•	•	•