

**MODEL NUMBERS**

**MILLIVOLT**

**NAT. GAS**  
**CDV155B**

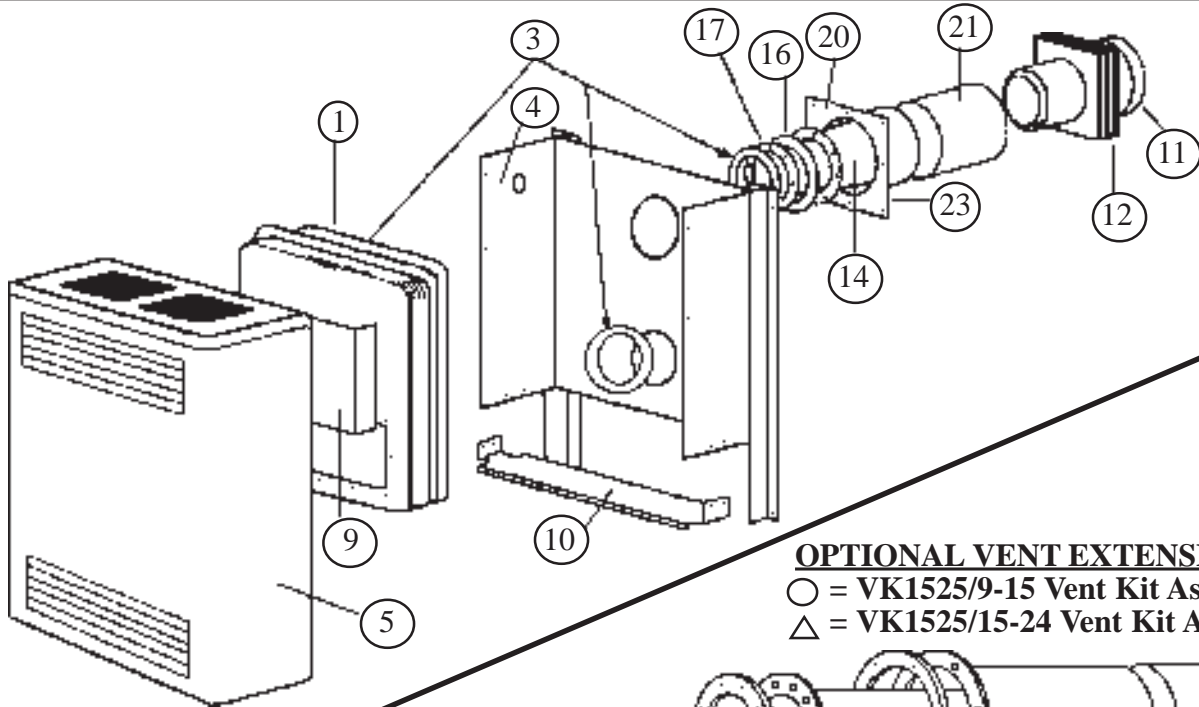
**L.P. GAS**  
**CDV156B**

**DIRECT VENT WALL FURNACE**

**PARTS LIST**

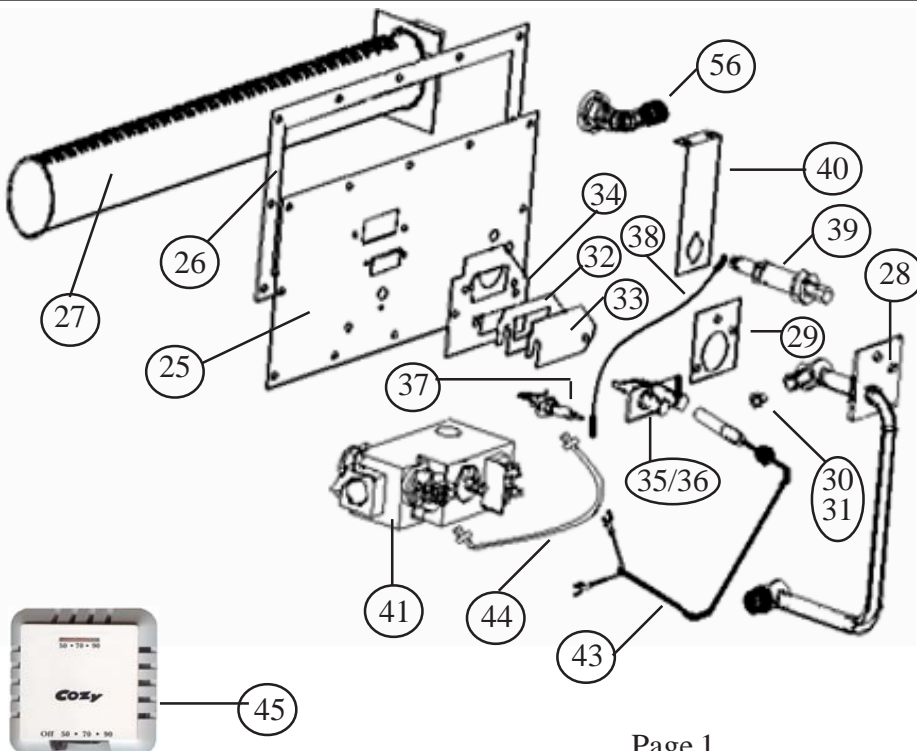
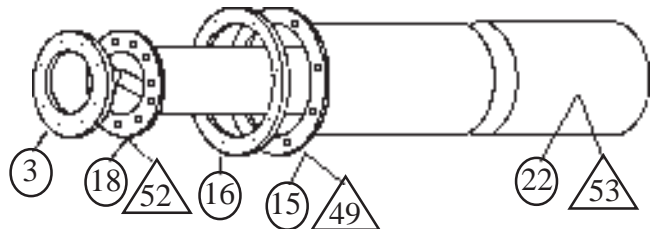
Prices and specifications subject to change without notice. All prices are F.O.B. factory.

**COZY DIRECT VENT WALL FURNACE - CDV15-B**

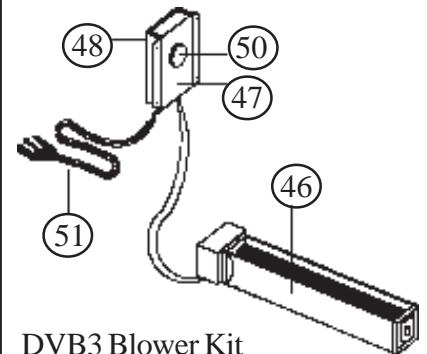


**OPTIONAL VENT EXTENSIONS**

- = VK1525/9-15 Vent Kit Assembly
- △ = VK1525/15-24 Vent Kit Assembly



**OPTIONAL BLOWER ASSEMBLY / DVB-3**



DVB3 Blower Kit  
also includes:

- 43078 Cover Plate
- 43625 Blower Shield for CDV25/33

**HOW TO PROPERLY ORDER PARTS:** In addition to part description and part number, please give model number, serial number, and type of gas used. This information can be found on the rating plate located in control compartment.

MODEL NUMBERS	NAT.	CDV155B	
	L.P.	CDV156B	
PART DESCRIPTION	REF. NO.	PART NUMBER	LIST PRICE
Heat Exchanger	1	42565	\$ 218.00
Vent Exhaust Tube Gasket - 5-3/8" Circle	3	70062	\$ 2.40
Wrapper Assembly w/Comb. Air Pan	4	43051	\$ 116.00
Cabinet	5	42555	\$ 148.90
Front Heat Shield	9	43081	\$ 9.60
Bottom Heat Shield	10	43075	\$ 7.20
Vent Cap & Spacer Plate	11 & 12	43145	\$ 136.70
Air Intake Tube Assy. (5-9" Wall) 6-3/4" Dia.	14	43200	\$ 18.80
Air Intake Tube Assembly (9-15" Wall)	15	43810	\$ 26.80
Air Intake Tube Assembly (15-24" Wall)	49	43705	\$ 29.00
Air Intake Tube Gasket - 8-1/2" Circle	16	70061	\$ 4.30
Vent Exhaust Tube Assy. (5-9" Wall) 4-3/16" Dia.	17	43209	\$ 21.40
Vent Exhaust Tube Assembly (9-15" Wall)	18	43820	\$ 25.20
Vent Exhaust Tube Assembly (15-24" Wall)	52	43717	\$ 28.80
Wall Thimble Assembly (5 - 9" Wall)	20	43230	\$ 15.30
Wall Thimble Extension (5-9" Wall)	21	43236	\$ 5.70
Wall Thimble Extension (9-15" Wall)	22	43835	\$ 12.40
Wall Thimble Extension (15-24" Wall)	53	43730	\$ 18.20
Wall Thimble Gasket - 11x11"	23	70066	\$ 2.00
Burner Access Door	25	43247	\$ 9.70
Heat Exchanger Door Gasket - 11-3/8x5-1/2"(Burner Gasket)	26	70060	\$ 11.40
Main Burner	27	70005	\$ 52.10
Manifold	28	70031	\$ 21.70
Manifold Gasket - 2x2"	29	70065	\$ 1.60
Main Burner Orifice, Natural Gas	30	70040	\$ 4.20
Main Burner Orifice, L.P. Gas	31	70041	\$ 4.20
Sight Glass	32	43252	\$ 8.00
Sight Glass Cover	33	43258	\$ 1.90
Sight Glass/Pilot Burner, Gasket - 3-1/2x2-3/4"	34	70064	\$ 1.60
Pilot Burner Q350A2493, Natural Gas	35	70007	\$ 9.70
Pilot Burner Q350A2501, L.P. Gas	36	70008	\$ 9.70
Electrode	37	70052	\$ 9.60
Electrode Wire	38	70051	\$ 3.40
Piezo Sparker	39	80016	\$ 7.00
Piezo Sparker Bracket	40	43263	\$ 3.40
Valve, MV, <b>Dexen</b> 6003, Natural Gas for CDV155	41	84085	\$ 166.60
Valve, MV, <b>Dexen</b> 6003LP, L.P. Gas for CDV156	41	84086	\$ 177.20
Generator, Q313A1014 for CDV155 / CDV156	43	70098	\$ 39.60
Pilot Tubing w/fittings	44	70012	\$ 8.10
Thermostat	45	74592	\$ 24.60
Thermostat Wire	N/A	74518	\$ 1.70
Insulated Staples	N/A	74209	\$ 1.60
Air Pan Assembly w/Gasket for CDV15	N/A	43059	\$ 22.30
90 Degree Elbow	56	70352	\$ 13.10
Vent Terminal Shield	N/A	34950	\$ 74.60
Blower Housing w/Motor & Blower	46	70201	\$ 130.70
Junction Box	47	43610	\$ 5.10
Junction Box Cover	48	43620	\$ 6.30
Fan Switch 120 Degrees	50	70110	\$ 7.80
Cord Set	51	80202	\$ 5.10
Cover plate	N/A	43078	\$ 2.90

**ATIN: CONTRACTORS and SERVICE TECHNICIANS**, we only sell parts through our wholesalers, but the prices listed above are for your convenience. For prompt parts service, contact the wholesaler from which you purchased your Cozy heater. **NOTE:** parts and schematic drawings on current models are shown at [www.cozyheaters.com](http://www.cozyheaters.com).