

**Part No:** 1407-005

**Inserts**

**Elbow**

**Desc:** 1/2 PVC INSERT 90 ELL INSERTXFPT

**MSRP:** 2.4

**Part Code:** 140

**Weight(lbs):** 0.044

**Weight(kg):** 0.02

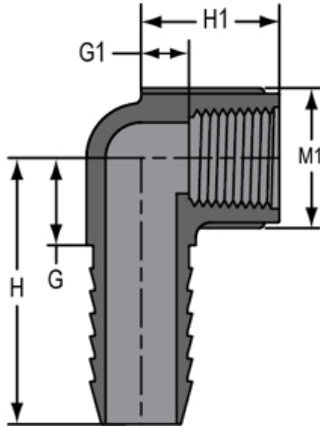
**Weight(gm):** 20

**Size:** 1/2"

**Color:** GRAY

**Material:** PVC

**Connection** Insert x Fipt  
**Type** Standard



**G** = 11/16

**G1** = 5/16

**H** = 2- 1/8

**H1** = 1

**M1** = 1- 1/16

## Injection Molded Dimension References:

**G** = (LAYING LENGTH) intersection of center lines to bottom of socket/thread; 90° elbows, tees, crosses; ± 1/32 inch.

**H** = Intersection of center lines to face of fitting; 90° elbows tees, crosses; ± 1/32 inch.

**J** = Intersection of center lines to bottom of socket/thread; 45° elbows; ± 1/32 inch

**L** = Overall length of fittings; ± 1/16 inch.

**M** = Outside diameter of socket/thread hub; ± 1/16 inch.

**N** = Socket bottom to socket bottom; couplings; ± 1/16 inch.

**W** = Height of cap; ± 1/16 inch

## Typical Molded Dimension References

