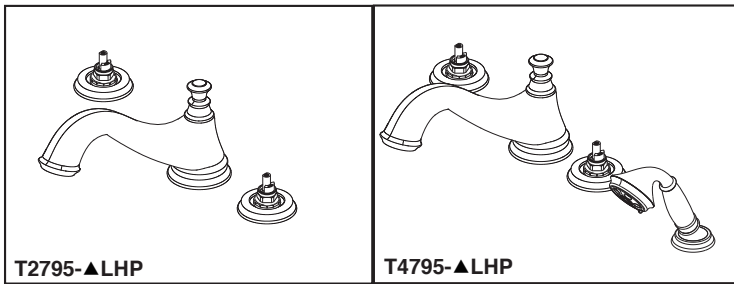




ROMAN TUB/WHIRLPOOL FAUCET TRIM

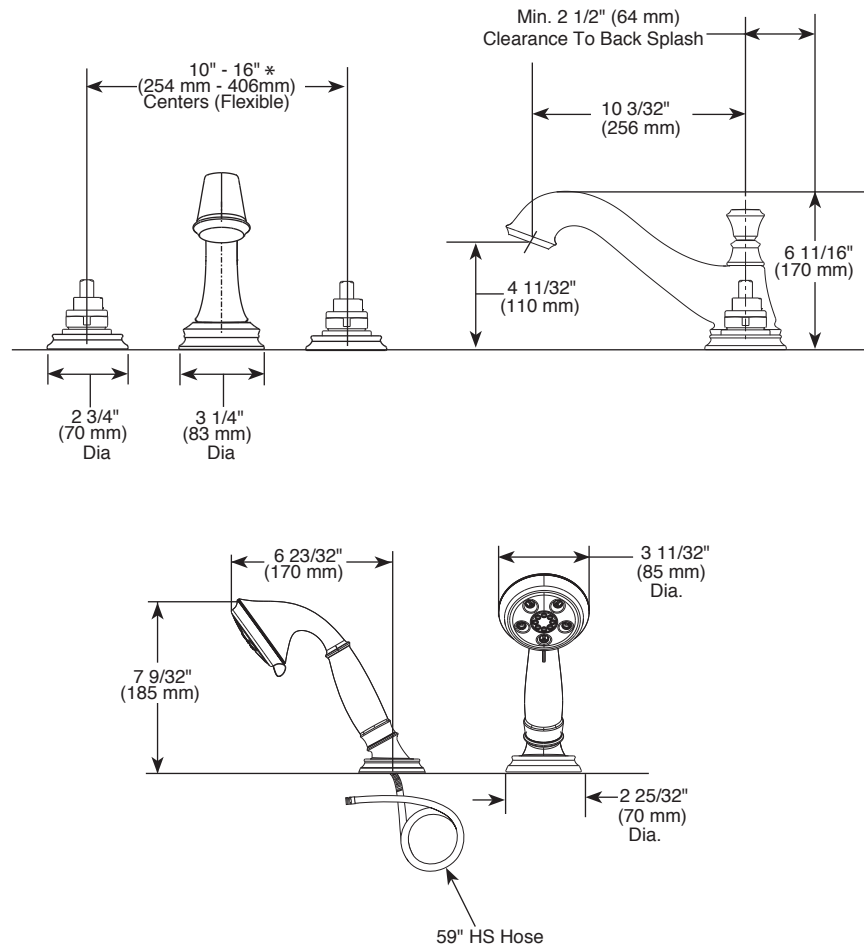
- Cassidy™ Series
- Three Hole Installation (T2795 Series)
- Four Hole Installation (T4795 Series)



Submitted Model No.: _____

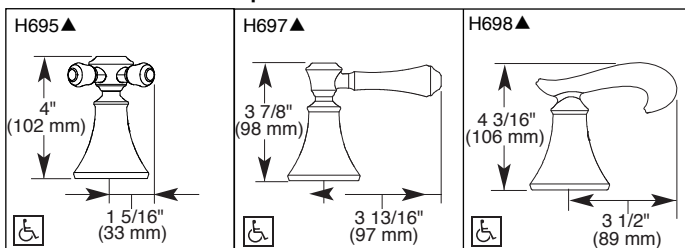
Specific Features: _____

T2795 Series & T4795 Series



*Recommend 10-16" centers to ensure full handle clearance.

Available LHP Handle Options



▲ Designate proper finish suffix

STANDARD SPECIFICATIONS:

- Handshower 2.00 gm @ 60 ps
- Trim Only for two handle Roman Tub faucet for concealed mounting.
- Temperature and volume controlled with handles.
- Rough-In kit must also be ordered to complete installation (R4707 for four hole and R2707 for three hole). There are separate specification sheets on each rough-in kit if more details are required.
- Three-setting H₂okinetic™ handshower - H₂okinetic spray, massage spray and pause
- Handshower includes double check valves for backflow prevention (T4795 Series).
- LHP - Less Handle Program. See handle options below

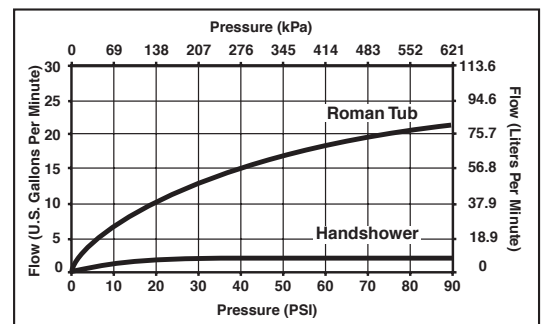
WARRANTY

- Lifetime limited warranty on parts (other than electronic parts and batteries) and finishes: or, for commercial users, for 5 years from date of purchase.
- 5 year limited warranty on electronic parts (other than batteries); or, for commercial users, for 1 year from the date of purchase. No warranty is provided on batteries.



COMPLETE VALVE COMPLIES WITH:

- ASME A112.18.1 / CSA B125.1
- Indicates compliance to ICC/ANSI A117.1 - Valve control only
- EPA WaterSense® - Applies to handshower only - 59433*



55 E. 111th Street, Indianapolis, Indiana 46280
350 South Edgeware Road, St. Thomas, Ontario Canada N5P 4L1
© 2016 Masco Corporation of Indiana

Delta reserves the right (1) to make changes in specifications and materials, and (2) to change or discontinue models, both without notice or obligation. Dimensions are for reference only. See current full-line price book or www.deltafaucet.com for finish options and product availability.

DSP-B-T2795-LHP Rev. F