

Installation Guide NEO-ANGLE SHOWER DOOR ENCLOSURE

Showerite

American Standard
Style That Works Better

Thank you for selecting our product...the benchmark of fine quality for over 100 years. To ensure that your installation proceeds smoothly--please read these instructions carefully before you begin.

Record Model Number _____

710013-100

BEFORE YOU BEGIN...

Local building codes vary by location. Observe all local plumbing and building codes.

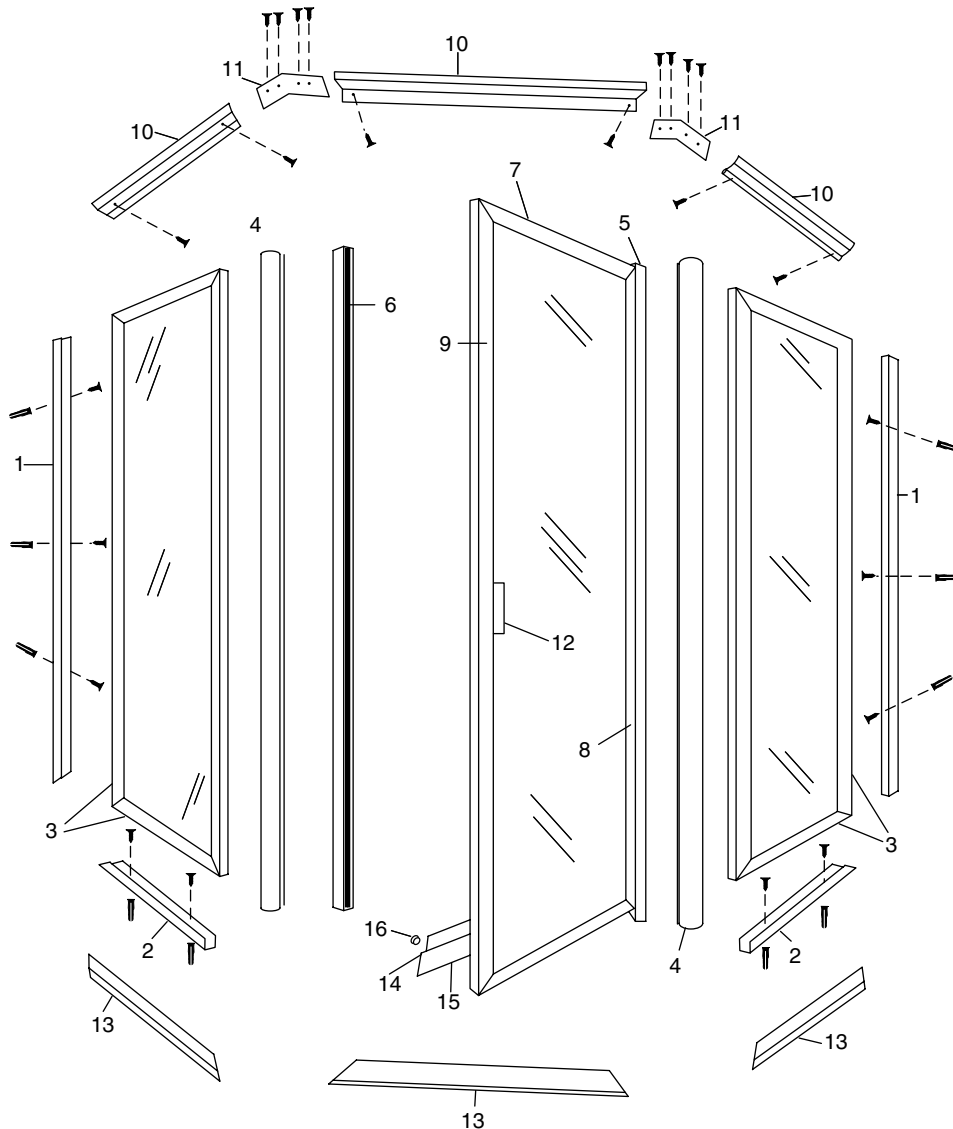
Unpack your new shower doors and inspect them carefully for damage. Verify that the doors are the correct size for your installation.

TOOLS & MATERIALS REQUIRED...

• Tape Measure • Electric Drill • Level • Phillips and Flat Screwdrivers • Drill Bits (1/8", #29 & 3/16") • Hacksaw • Silicone Caulk

IMPORTANT: Record the Model No. (see carton) of your shower or tub enclosure for future reference. Model No. _____

READ THE INSTRUCTIONS CAREFULLY: Familiarize yourself with all the parts as shown in the exploded view. The exploded view will also provide a helpful reference when relating the location of the various parts and how they are mounted.

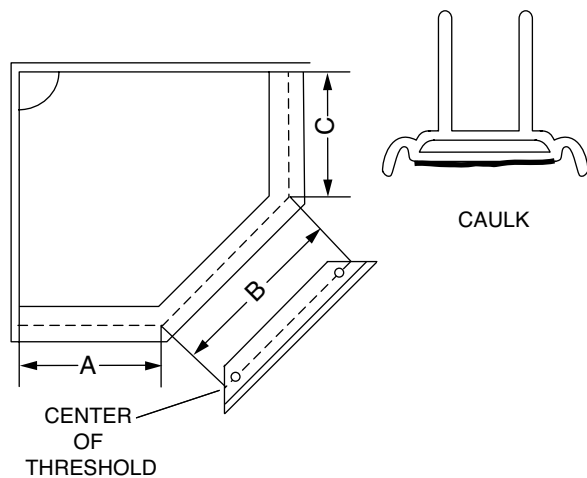


1 INSTALLATION PROCEDURES:

Place center threshold part #8104 on center of base. Drill into base through guide holes with #29 or 1/8" bit and attach using 8 x 5/8" flathead screws.

Measure from wall to outside edge of center threshold. Repeat on opposite side, then cut each end.

Return and mark holes. Drill w/1/8" bit. Clean and caulk underside at wall and joint.

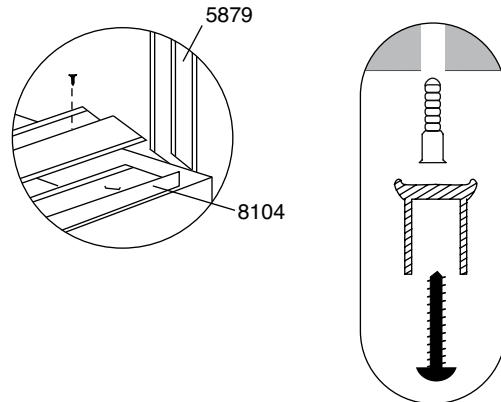


2

Set #5879 on top of threshold with mitered end down. Plumb and mark holes. Repeat on opposite side.

Drill all holes with 1/8" for fiberglass and 3/16" masonry for tile. Insert wall plugs and secure with 8 x 1" flathead screws.

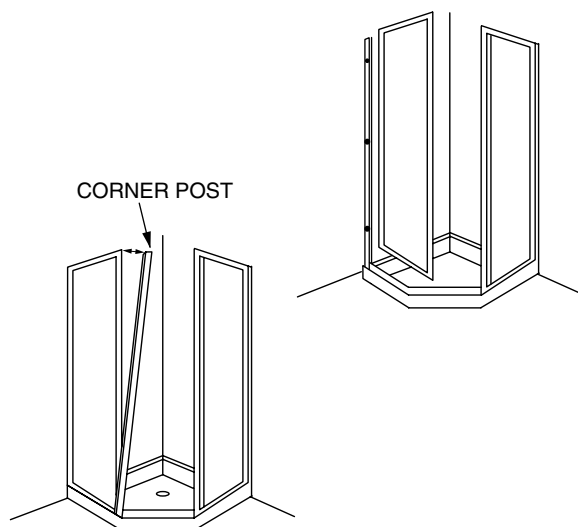
NOTE: When drilling into fiberglass or plastic walls DO NOT USE screw anchors.



3

Position stationary panels temporarily into wall trim. Place corner posts on each panel.

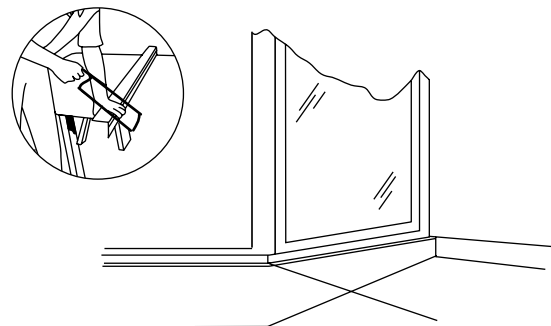
Select side for hinge jamb. Place strike jamb into opposite corner post. Set door in place temporarily.



4

With door in place, ensure panels and door are plumb with threshold.

Measure from wall to corner post on both sides. Cut bottom trim. (Do not cut mitered end.)

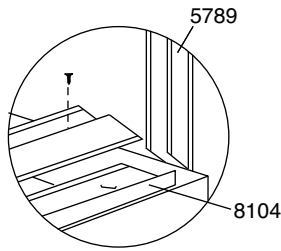


For best results use a 32-tooth hacksaw blade and a miter box.

5

Remove door and panels. Set bottom trim #5879 on top of threshold.

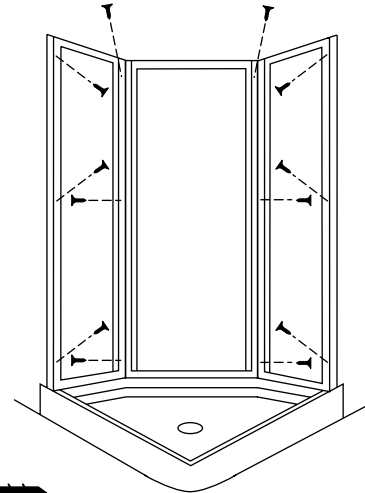
Drill with #29 bit and secure using 8 x 3/8" panhead screws. Caulk underside and 45° mitre.

**6**

Position panel in place and adjust using a shim (wood, metal or plastic) in bottom trim.

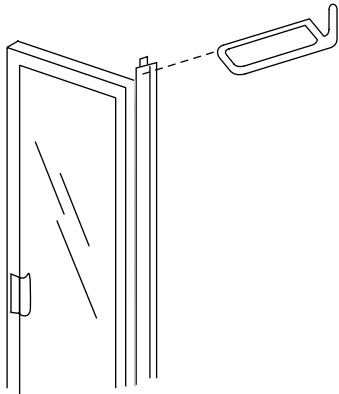
From inside of shower drill (3) #29 holes approx. 2" from top and 2" from bottom and one in center. Stay 1/2" away from glass. Ensure corner post is level.

Secure with 8 x 3/8" self-tapping screws. Place magnetic strike in corner post. Do not drill at this time.

**7**

With both panels installed, set door in place.

Lock against magnetic strike, you may need to cut excess part of hinge flush w/corner post.

**9**

Locate the right and left header #8880 (with a 135 mitered end). Measure from wall to center of corner post #5792. Measure from underside of header and cut.

NOTE: Right and left header may have different lengths. (center header is already cut to size).

Repeat for opposite side.

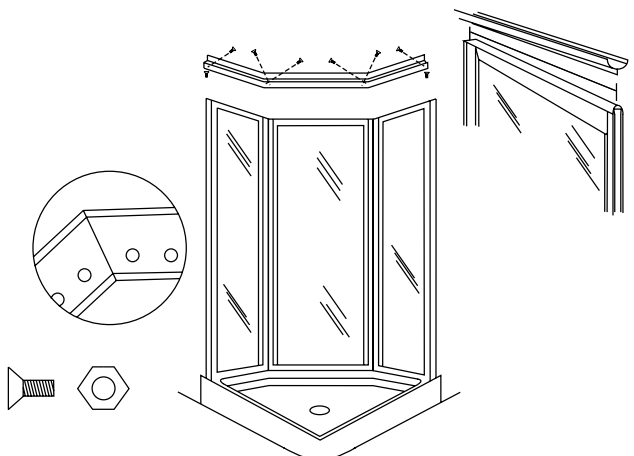
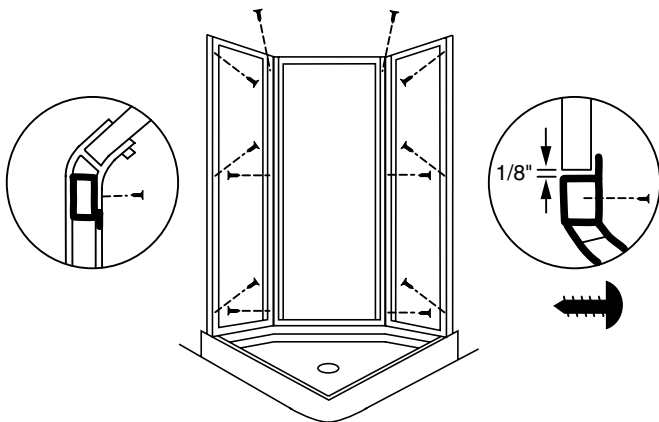
Secure all three pieces together. Place over top of door and panels and secure w/8 x 3/8" self-tapping screws over the panel. Drill 4" from wall and 4" from corner post. Use 1/8" drill bit (stay 1/2" away from glass.) Now with door closed adjust strike. Drill with 1/8" bit and secure with 8 x 3/8" screws.

8

Close door against magnetic strike. From inside, adjust door if needed.

Hold door in place. Drill (3) #29 holes through corner post approximately 2" from top and bottom and center. Secure using 8 x 3/8" panhead screws.

Repeat for strike side.



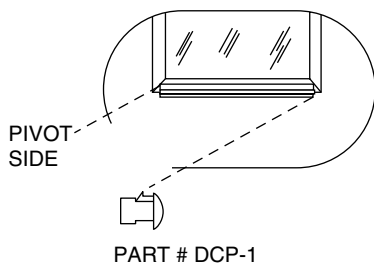
10

Wipe door bottom frame with clean cloth.

Cut vinyl sweep 1" longer than drip rail and slide it into groove on underside of drip rail.

Position drip rail with tape backing still in place on inside of door bottom frame even with bottom edge and set 3/4" in from edge with magnet. The drip rail should be adjusted so that it angles down toward the hinge side and does not hit bottom frame of corner posts when door is closed.

Mark location and then remove backing from tape and press drip rail in place. Insert plastic plug in drip rail opposite hinge side to allow water to drain back into shower.

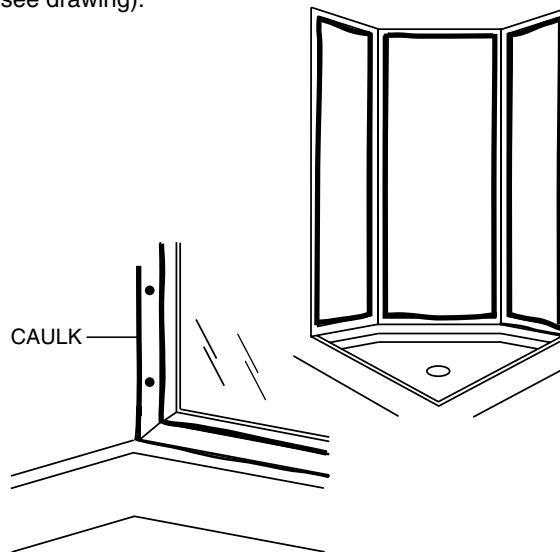


NOTE: Drip rail should not be removed after it has been set in position as the tape may tear.

11

Caulk along inside of the wall jamb on each side where they meet the walls.

Caulk all joints where parts are screwed together (see drawing).



HOW TO CARE FOR YOUR ENCLOSURE

Do not use scouring powder, pads or sharp instruments on metal or glass panels. Occasionally wipe with mild detergent diluted in water to keep the panels and metal parts looking new. Use squeegees following each shower to eliminate water spots on the inside of the glass panels.

HOW TO ORDER REPLACEMENT PARTS

Provide the following information to your Dealer.

1. Part Name
2. Part Number
3. Part Description
(Length, Size, Color, etc.)
4. Model Number

Key No.	Part Name	Part No.
1	WALL TRIM	5879
2	BOTTOM TRIM	5879
3	PANEL FRAME, TOP, SIDES	5493-3
4	135° POST	5792
5	HINGE JAMB W/HINGE	61/5466
6	STRIKE JAMB W/MAG. STRIP	5466-M
7	TOP/BOTTOM FRAME	1393/EX103
8	SIDE FRAME	1393X103
9	STRIKE SIDE W/MAG.	1393MX103M
10	HEADER, RIGHT, LEFT, CENTER	8880
11	135° HEADER PLATE	E9032
12	HANDLE	6627
13	THRESHOLD, RIGHT, LEFT & CENTER	8104
14	DRIP CAP PLUG	DCP1
15	VINYL STRIP	PVS2
16	DRIP RAIL	2482T

AS AMERICA, INC. LIMITED LIFETIME WARRANTY FOR SHOWER DOORS

Showerite

American Standard

Style That Works Better

AS America, Inc. ("American Standard") warrants to the **original consumer purchaser** that it will, at its sole option, repair or replace this product or any part of this product, if it confirms that the product is defective in materials or workmanship under normal use and maintenance for the lifetime of this product.

This warranty does not apply to commercial installations. Commercial installations shall have a limited warranty of 3 year(s).

This limited warranty DOES NOT COVER the following:

1. Defects or damage arising from shipping, installation, alterations, accidents, abuse, misuse, lack of proper maintenance and use of other than genuine American Standard replacement parts, in all cases whether caused by a plumbing contractor, service company, the owner or any other person.
2. Deterioration through normal wear and tear.
3. **HARD WATER DAMAGE, OR DAMAGES RESULTING FROM ABUSE OR MISUSE OR FROM FAILURE TO INSTALL OR MAINTAIN THIS PLUMBING PRODUCT IN ACCORDANCE WITH THE WRITTEN INSTRUCTIONS FURNISHED BY AS AMERICA, INC.**
4. **USE OF CLEANING PRODUCTS CONTAINING CALCIUM HYPO CHLORITE (CHLORINE), SCOURING POWDERS OR PADS SHALL NOT BE COVERED.**
5. **THE USE OF SCENTED CANDLES IN CLOSE PROXIMITY WITH THIS PRODUCT CAN RESULT IN PERMANENT STAINING OF THE FINISH.**
6. Expense of normal maintenance.
7. All costs of removal, transportation, labor, reinstallation or other costs including postage and/or shipping costs to obtain warranty service shall be paid by the consumer.
8. **ANY LIABILITY FOR CONSEQUENTIAL OR INCIDENTAL DAMAGES, ALL OF WHICH ARE HEREBY EXPRESSLY DISCLAIMED. ANY IMPLIED WARRANTIES, INCLUDING THOSE OF MERCHANTABILITY OR FITNESS FOR PURPOSE INTENDED ARE SPECIFICALLY EXCLUDED.** (Some jurisdictions do not allow limitations on how long an implied warranty lasts, or the exclusion or limitation of incidental or consequential damages, so these limitations and exclusions may not apply to you.)
9. Responsibility for compliance with local code requirements **ARE EXCLUDED FROM THIS WARRANTY.** (Since local code requirements vary greatly distributors, dealers, installation contractors and users of plumbing products should determine whether there are any code restrictions on the installation or use of a specific product.)

This limited warranty gives you specific legal rights. You may have other statutory rights that vary from state to state or from province to province, in which case this limited warranty does not affect such statutory rights.

For service under this warranty, it is suggested that a claim be made through the contractor or dealer from or through whom the product was purchased, or that a service request (including a description of the product model and of the defect) be sent to the following with proof of purchase or original receipt:

AS America, Inc.
P.O. Box 659
West Caldwell, NJ 07007
Attention: Customer Care Center

Customer Care by telephone: 1-800-442-1902

GARANTÍA LIMITADA DE POR VIDA DE AS AMERICA, INC. PARA PUERTAS DE DUCHA

Showerite

American Standard

Style That Works Better

AS America, Inc. ("American Standard") le garantiza al **comprador original** que reparará o reemplazará, si lo estima conveniente, este producto o cualquiera de sus piezas, si confirma que el producto tiene defectos de materiales o de mano de obra según el uso y mantenimiento normales, durante toda la vida de este producto.

Esta garantía no se aplica a instalaciones comerciales. Las instalaciones comerciales tendrán una garantía limitada de 3 años.

Esta garantía limitada **NO CUBRE** lo siguiente:

1. Defectos o daños que surjan del envío, la instalación, alteraciones, accidentes, abuso, uso indebido, falta de mantenimiento correcto y uso de piezas que no sean repuestos originales de American Standard en todos los casos, ya sea causados por un contratista de plomería, una empresa de servicios, el propietario o cualquier otra persona.
2. Deterioro por desgaste y uso normal.
3. **DAÑOS POR AGUAS DURAS O DAÑOS RESULTANTES DE ABUSO O USO INDEBIDO O POR NO HABER INSTALADO O REALIZADO EL MANTENIMIENTO DE ESTE PRODUCTO DE PLOMERÍA DE ACUERDO CON LAS INSTRUCCIONES ESCRITAS PROPORCIONADAS POR AS AMERICA, INC.**
4. **EL USO DE PRODUCTOS DE LIMPIEZA CON HIPOCLORITO DE CALCIO (CLORO), POLVOS O ESPONJAS DE LIMPIEZA ABRASIVOS NO ESTARÁ CUBIERTO.**
5. **EL USO DE VELAS AROMÁTICAS DEMASIADO CERCA DE ESTE PRODUCTO PUEDE PRODUCIR MANCHAS PERMANENTES EN EL ACABADO.**
6. Gastos de mantenimiento normal.
7. Todos los costos de remoción, transporte, mano de obra, reinstalación u otros costos, incluso gastos de franqueo y/o envío para obtener servicio de garantía serán pagados por el consumidor.
8. **CUALQUIER RESPONSABILIDAD CIVIL POR DAÑOS INDIRECTOS O INCIDENTALES, TODOS LOS CUALES QUEDAN EXPRESAMENTE EXCLUIDOS POR EL PRESENTE DOCUMENTO. CUALQUIER GARANTÍA IMPLÍCITA, INCLUSO LAS GARANTÍAS DE COMERCIABILIDAD O IDONEIDAD PARA UN PROPÓSITO PREVISTO, QUEDA ESPECÍFICAMENTE EXCLUIDA.** (Algunas jurisdicciones no permiten limitaciones con respecto a la vigencia de una garantía implícita o la exclusión o limitación de daños incidentales o indirectos, de modo que estas limitaciones y exclusiones pueden no corresponderle.)
9. La responsabilidad por el cumplimiento de requisitos de códigos locales **QUEDA EXCLUIDA DE ESTA GARANTÍA.** (Como los requisitos de códigos locales varían ampliamente, los distribuidores, concesionarios, contratistas instaladores y usuarios de productos de plomería deben determinar si existe alguna restricción en los códigos con respecto a la instalación al uso de un producto específico.)

Esta garantía limitada le otorga derechos legales específicos. Los derechos estatales que usted pueda tener y que varían de un estado a otro o de una provincia a otra, no quedan afectados por esta garantía limitada.

Para obtener servicio bajo esta garantía, se sugiere que se reclame por medio del contratista o el concesionario a quien o mediante quien se adquirió el producto, o que se envíe una solicitud de servicio (incluyendo una descripción del modelo del producto y del defecto) a los siguientes junto con un comprobante de compra o el recibo original:

AS America, Inc.
P.O. Box 659
West Caldwell, NJ 07007
Atención: Servicio al cliente

Servicio al Cliente por teléfono: 1-800-442-1902