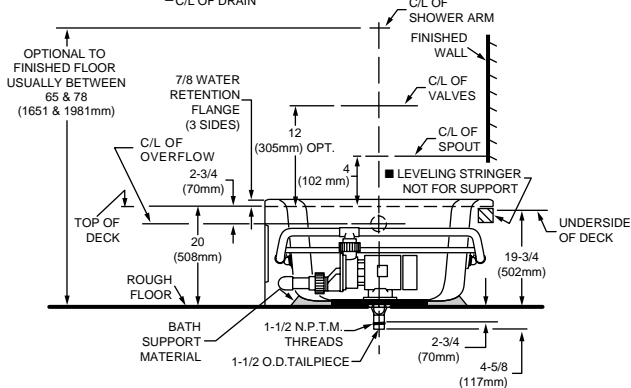
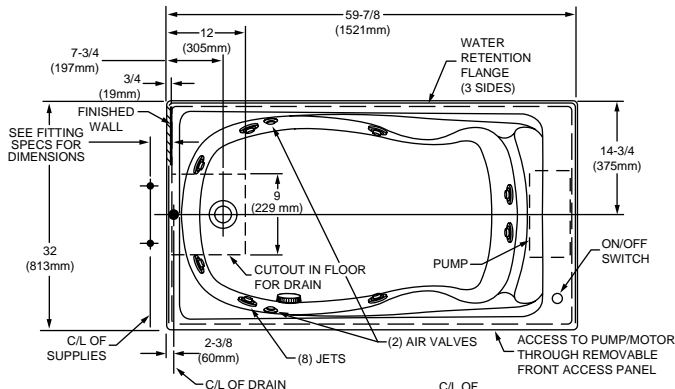


**CADET™ 5 x 32**  
**INTEGRAL APRON WITH**  
**REMOVABLE ACCESS PANEL**  
**HIGH GLOSS ACRYLIC**  
**SHOWN LESS ALL FITTINGS**

# 2776.XXXW SERIES WHIRLPOOL/BATHING POOL INSTALLATION INSTRUCTIONS



GENERAL SPECIFICATIONS FOR 2776 WHIRLPOOL	
INSTALLED SIZE	59-7/8 x 32 x 20 (1521 x 813 x 508mm)
WEIGHT	115 Lbs. (52 Kg.)
WEIGHT w/WATER	574 Lbs. (258 Kg.)
GAL. TO OVERFLOW	55 Gal. (208 L.)
WHIRLPOOL MIN. OPERATING VOL.	45 Gal. (171 L.)
BATHING WELL AT SUMP	20 x 40 (508 x 1016mm)
BATHING WELL AT RIM	26 x 53-1/2 (660 x 1359mm)
WATER DEPTH TO OVERFLOW	14-1/2 (368mm)
FLOOR LOADING (PROJECTED AREA)	43 Lbs./Sq.Ft. (208 Kgs./Sq.m)
PTS.	20.8
CUBE (FT³)	35.3
WHIRLPOOL ELECTRICAL SPECIFICATIONS	
SYSTEM I PUMP	1.1 HP, 9.9 AMPS, 120V.

## GENERAL INSTALLATION INFORMATION

BATH MAY ONLY BE INSTALLED IN A RECESS TYPE INSTALLATION.

LOCATE STUDS AS REQUIRED. INSURE ROUGH DIMENSIONS ARE PROPER, PLUMB AND SQUARE. **FOR WHIRLPOOLS, ACCESS TO PUMP/MOTOR MAY BE MADE THROUGH ACCESS OPENING IN APRON PANEL.** THE FOLLOWING PROCEDURE MUST BE USED FOR ALL INSTALLATIONS: LEVELING SUPPORT STRINGER SHOULD BE AS INDICATED. THIS BATH IS NOT SELF-SUPPORTING AND MUST BE SUPPORTED ALONG ITS ENTIRE BOTTOM. SUPPORT WITH MORTAR OR GROUT.

POSITION BATHTUB/WHIRLPOOL WITHIN THE RECESS, CHECK LEVEL, FRONT TO BACK, SIDE TO SIDE, AND SHIM AS NECESSARY. TO SECURE THE TUB TO WOOD STUDS USE DRYWALL SCREWS W/WASHERS OR ROOFING NAILS IMMEDIATELY ABOVE THE FLANGE OF THE TUB. TO SECURE THE TUB TO STEEL STUDS USE 4" DRYWALL SCREWS AND FLATWASHERS.

**SEE PAGE 2 FOR COMPLETE INSTALLATION INFORMATION.**

**CAUTION: TAKE EXTRA CARE WHEN DRIVING NAILS OR SCREWS TO AVOID DAMAGING THE TUB.**

THE TILE OR SIMILAR FINISHED FLOOR WILL BE BUTTED AGAINST THE BOTTOM OF THE TUB APRON, ALSO HOLDING THE TUB IN PLACE.

FOR AFTER-SALES SERVICE CALL 1 (800) 442-1902 WEEKDAYS.

## THANK YOU...

for selecting an American Standard bath. Your new bath is shipped to you after careful inspection. The whirlpool version is completely assembled with pump, motor, and system piping. All you need to finish the installation are your selected fittings and electrical connections for a whirlpool. To insure maximum performance and pleasure from this product, please follow the instructions and cautions.

## List of Required Components (not included):

- Drain 1583.470\*
  - Bath Filler\*
- \* see your American Standard Distributor

## List of Required Tools and Supplies:

### Tools

- Level
- Tape Measure
- Pipe Wrench
- Slip Joint Pliers
- Screw Driver
- Standard Woodworking Tools
- Personal Safety Equipment
- Caulking Gun

### Supplies

- Nails
- Putty
- Caulking (waterproof)
- 1 x 3 or 2 x 2 Stringers
- Drop Cloth
- 15 amp GFI Outlet
- Cement, Plaster, Grout

## GENERAL INSTALLATION INFORMATION

Carefully uncrate and inspect your new bath for any shipping damage. If such damage is found, report it to your vendor immediately.

After inspection and during installation, protect the bath from construction damage. **Before installation, and before enclosing with wallboard, tile, etc., water test the unit and check for leaks.**

If a whirlpool, do not make modifications to the whirlpool system or remove pump from factory mounting. This could adversely affect the safety and performance of the whirlpool and void the warranty. Do not handle or move the whirlpool by the pump, motor, or piping system.

Fittings (bath filler, shower arm, etc.) are not provided with the bath and must be ordered separately. Framing and enclosing materials are provided by others.

## IMPORTANT:

**Water test unit before installation and enclosure!**

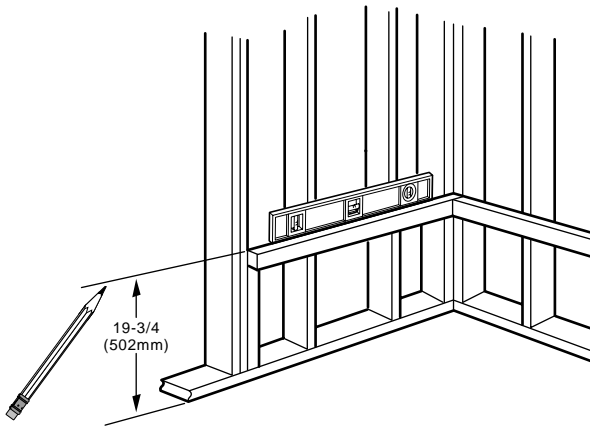
## INSTALLATION AND FRAMING INSTRUCTIONS

Locate studs as required. Ensure roughing-in dimensions are proper, plumb and square. Access to Pump/Motor may be made through the access opening in the apron panel. It is strongly recommended that an additional opening be provided for access to the drain components.

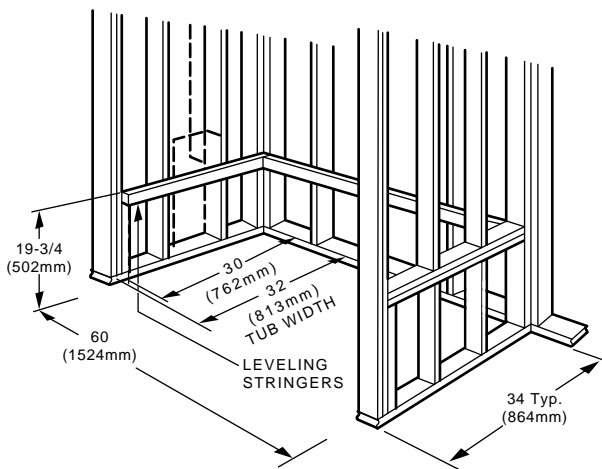
**NOTE: The apron may be used as the primary access opening.**

1. As shown in Fig. 1, mark the position of the underside of the deck by tracing a line onto the studs at the height indicated, using a level or other suitable straight edge.
2. With the top of the stringer touching the traced line, attach the stringer to the studs.
3. Install drain components to the whirlpool or bath following the manufacturers instructions. See the roughing-in drawing for suggested opening size and location dimensions.
4. **THIS BATH MUST BE SUPPORTED ALONG ITS ENTIRE BOTTOM.** We recommend the use of mortar as bedding material (sand is not recommended). Apply enough bedding to support the complete bottom of the bath. After the bedding has been poured, and before it sets, position whirlpool or bath within recess until the rim is leveled against the leveling stringers (see "Typical Recess Installation") shown below. The rim of the bath **MUST NOT** support weight. Allow the bedding material to completely harden before applying weight to the rim or bottom of the bath. Any finish material such as tile or wall board must be self-supporting if it contacts the deck of the bath.

FIG. 1

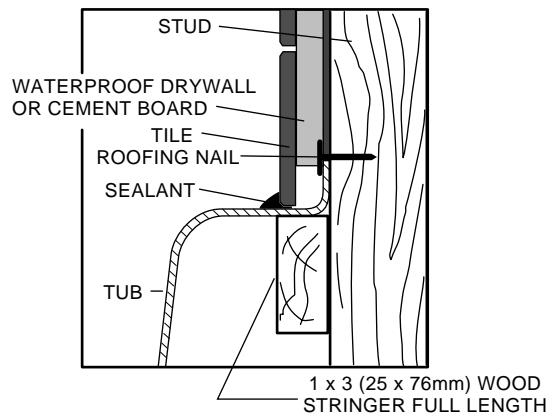


### TYPICAL RECESS INSTALLATION

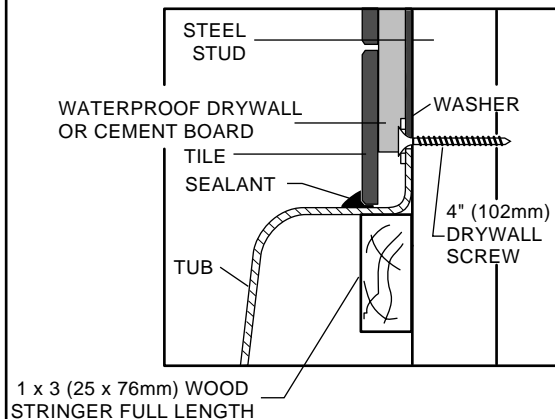


### SUGGESTED WHIRLPOOL/BATH INSTALLATION METHOD

#### WOOD STUDS



#### STEEL STUDS



**SECURE THE BATH TO THE STUDS AS SHOWN FOR WOOD OR STEEL STUD CONSTRUCTION.**

## ELECTRICAL INSTALLATION INSTRUCTIONS

All wiring must be performed by a licensed electrician in accordance with the national electrical code and all other applicable codes.

### WARNING:

When using electrical products, basic precautions should always be observed, including the following:

#### 1. DANGER: RISK OF ELECTRIC SHOCK

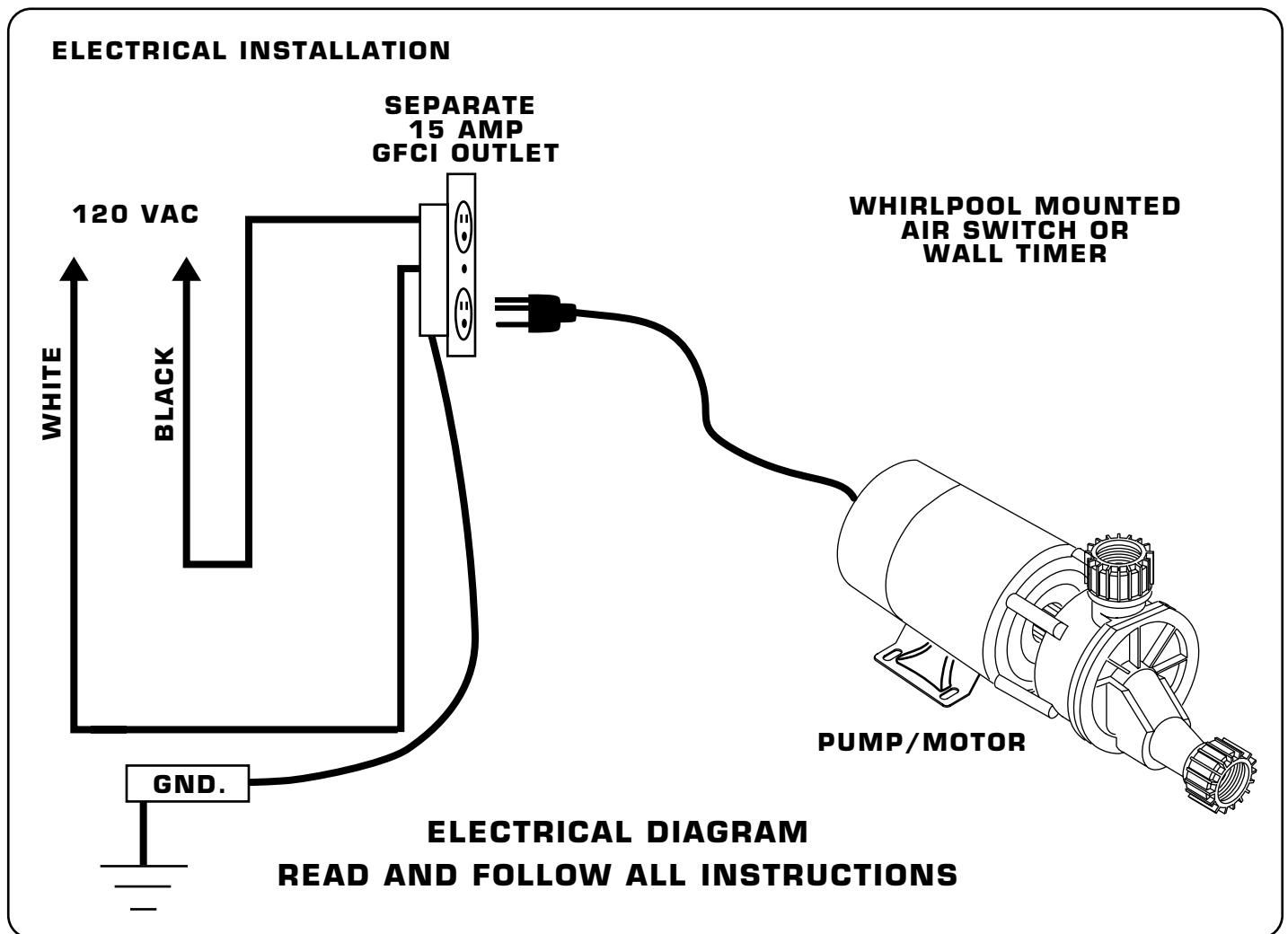
Connect only to a circuit protected by a ground-fault circuit interrupter.

2. Grounding is required. The unit should be installed by a licensed electrician and grounded.

3. Install to permit access for servicing.

4. All building materials and wiring should be routed away from the pump body and heater (if equipped).

The whirlpool should be installed on a 120 vac, 15 amp dedicated circuit. The circuit should be hard-wired from the electrical power supply panel. The circuit must be a three (3) wire circuit from the electrical supply panel. A grounded neutral wire and a third wire, earth ground, are essential.



## WIRE SELECTION GUIDE

Motor Hi-Performance Rating	Maximum distance from fusebox to motor			
	50'	100'	150'	200'
1.1	115V Power Line			
	12	12	10	8

The sizes shown on this chart are recommendations for copper conductors only. Always follow local and national electrical codes

### DRAIN CONNECTION AND SYSTEM TEST

Using recommended drain opening, connect whirlpool drain to waste line. Tighten all drain joints securely. Check the pump couplings and make sure they are hand-tight. Clean the whirlpool and fill with water to a point 2" above the top of the highest jet. Recheck the pump couplings and make certain that they are not leaking. (Although the pump couplings are factory tightened and inspected, some loosening may have occurred during transit.) Make sure the whirlpool is connected to the electrical supply and turn the whirlpool on. Check for leaks around all piping connections while the whirlpool is running.

### POST INSTALLATION CLEAN-UP

Remove all construction debris from bath. Tile grout can be removed with a wooden popsicle stick or tongue depressor. Do not use wire brushes or any other metal implement on bath surface.

Post installation clean-up generally can be completed using warm water and liquid dishwashing detergent. Stubborn dirt or stains may be removed using granular Spic and Span® mixed with water.

Painter's naphtha can be used to remove excess adhesives and/or wet oil-base paint.

### HARSH CHEMICALS SHOULD NEVER BE USED ON ACRYLIC SURFACES.

Abrasive cleaners must not be used since they will scratch and dull the surface. Dulled areas can be restored by rubbing with a white automotive-type polishing compound and waxing with a liquid wax.