

**Ferrara® Single Handle Kitchen Faucet
Model LK7124****FEATURES**

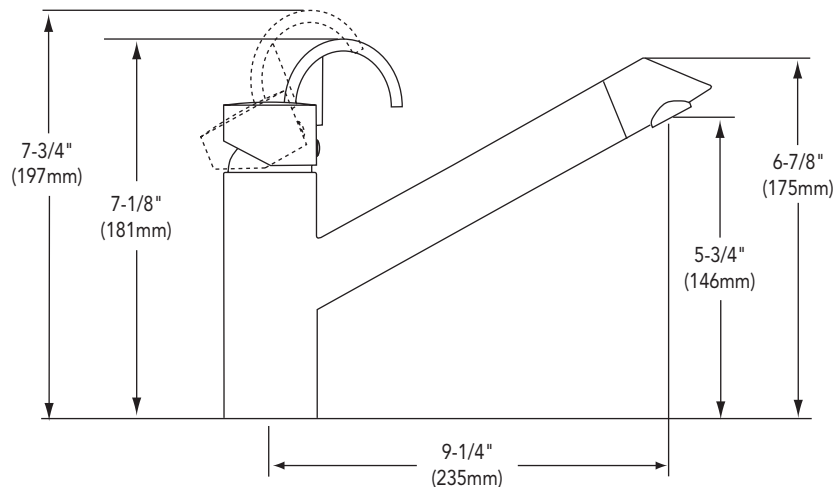
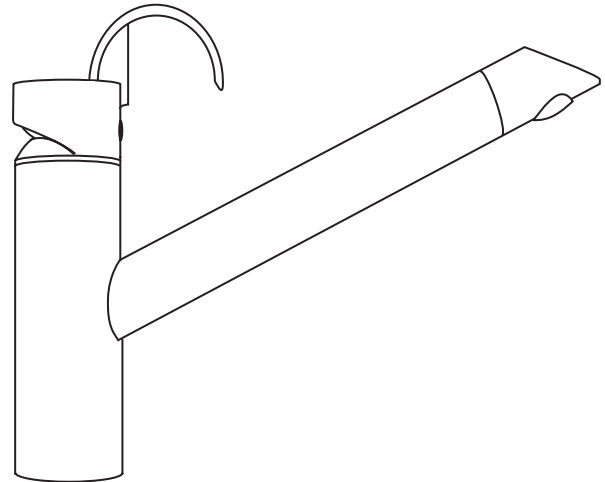
- Single hole top mount installation
 - 1-1/2" (38mm) diameter faucet hole required
 - Maximum countertop thickness 1-1/2" (38mm)
- Single-lever with swivel aerator
- 360° swing spout body with solid brass construction
- Removable ceramic disc cartridge
- Flexible supply tubes with 1/2" (13mm) male I.P.S. adapters.
- Available in the following colors & finishes
 - Chrome LK7124CR
 - Brushed chrome LK7124BC
 - Brushed nickel LK7124NK
- Ship Wt. 6-1/4 lbs. (3Kg)
- Due to the weight of this faucet, Elkay recommends that it be installed to an 18" (457mm) gauge stainless steel sink (or heavier) or to a solid surface countertop
- Maximum flow rate
 - 2.5 GPM/9.5 L/min at 80 P.S.I.G
 - 2.2 GPM/8.3 L/min at 60 P.S.I.G

WARRANTY

- Limited Lifetime

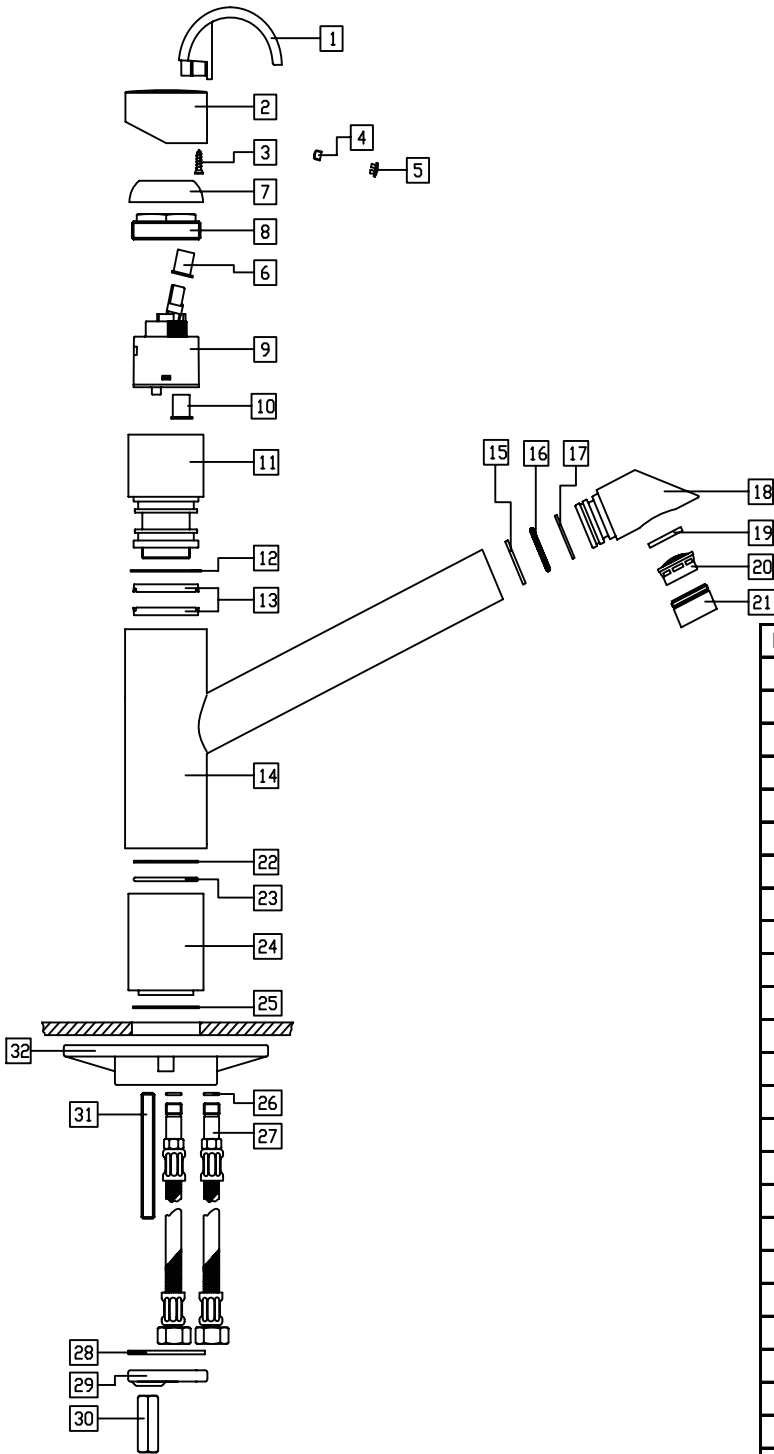
COMPLIES WITH:

- ANSI/NSF61-CERTIFIED
- ASME A112.18.1-05/CSA B125.1-2005-CERTIFIED
- CA AB1953/VT S152
- cUPC-CERTIFIED
- UPC-CERTIFIED



SEE OTHER SIDE FOR REPLACEMENT PARTS

Ferrara® Single Handle Kitchen Faucet Model LK7124



ITEM	PART	DESCRIPTION
1		
2		
3	A55949R - CHROME	LEVER HANDLE ASSEMBLY
4	A55950R - BRUSHED NICKEL	
5	A55951R - BRUSHED CHROME	
6		
7	N/A	N/A
8		
9	A56104R	CARTRIDGE
10	A56117R	GREEN WASHER
11		
12		
13		
14		
15	N/A	N/A
16		
17		
18		
19	A56034R - CHROME	AERATOR ASSEMBLY
20	A56035R - BRUSHED NICKEL	
21	A56036R - BRUSHED CHROME	
22		
23	N/A	N/A
24		
25	A56022R	HARDWARE
26	A56096R	SUPPLY HOSES (1 PAIR, 1 RED & 1 BLUE)
27		
28		
29	A56022R	HARDWARE
30		
31	N/A	N/A
32		