

**Victoria™ Two Handle Kitchen Faucet
Model LK2444****FEATURES**

Model LK2444

- Single hole top mount installation
 - 1-1/2" (13mm) diameter faucet hole required
 - Maximum countertop thickness 1-1/2" (38mm)
- 360° swing spout with solid brass construction
- White accented, two handle faucet
- Removable ceramic disc cartridge
- Flexible supply tubes with 1/2" (13mm) male I.P.S. adapters
- Available in the following colors & finishes
 - Antique copper LK2444AC
 - Chrome LK2444CR
 - Brushed nickel LK2444NK
 - Mirrored copper LK2444MC
 - Oil rubbed bronze LK2444RB
- Ship Wt. 7 lbs. (3.2Kg)
- Due to the weight of this faucet, Elkay recommends that it be installed to an 18" (457mm) gauge stainless steel sink (or heavier) or to a solid surface countertop
- Maximum flow rate
 - 2.5 GPM/9.5 L/min at 80 P.S.I.G
 - 2.5 GPM/8.3 L/min at 60 P.S.I.G

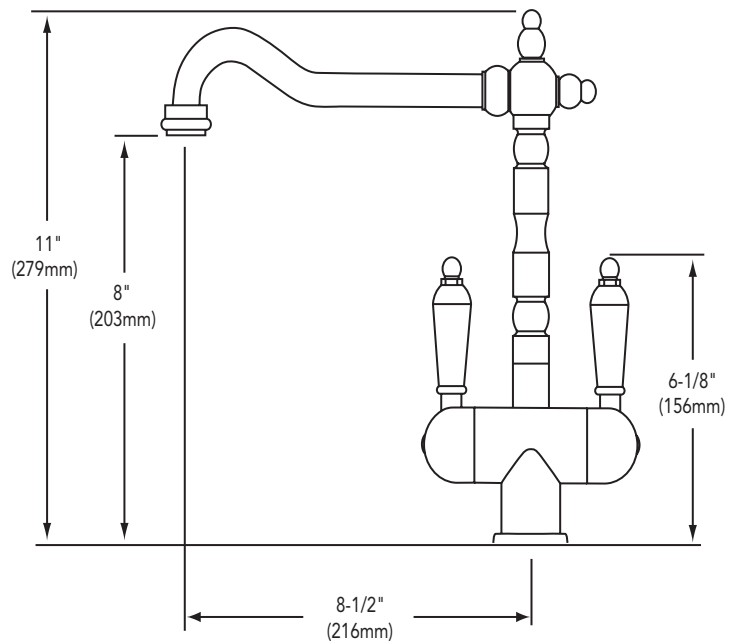
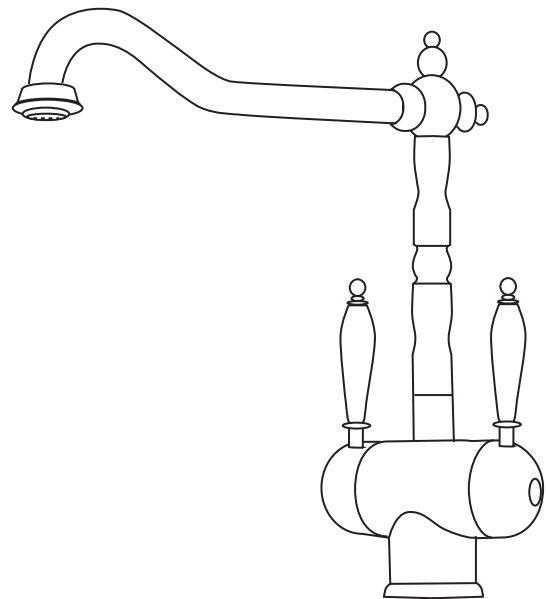
Model LK2444AB - Unavailable for purchase as of 8/04

WARRANTY

- Limited Lifetime

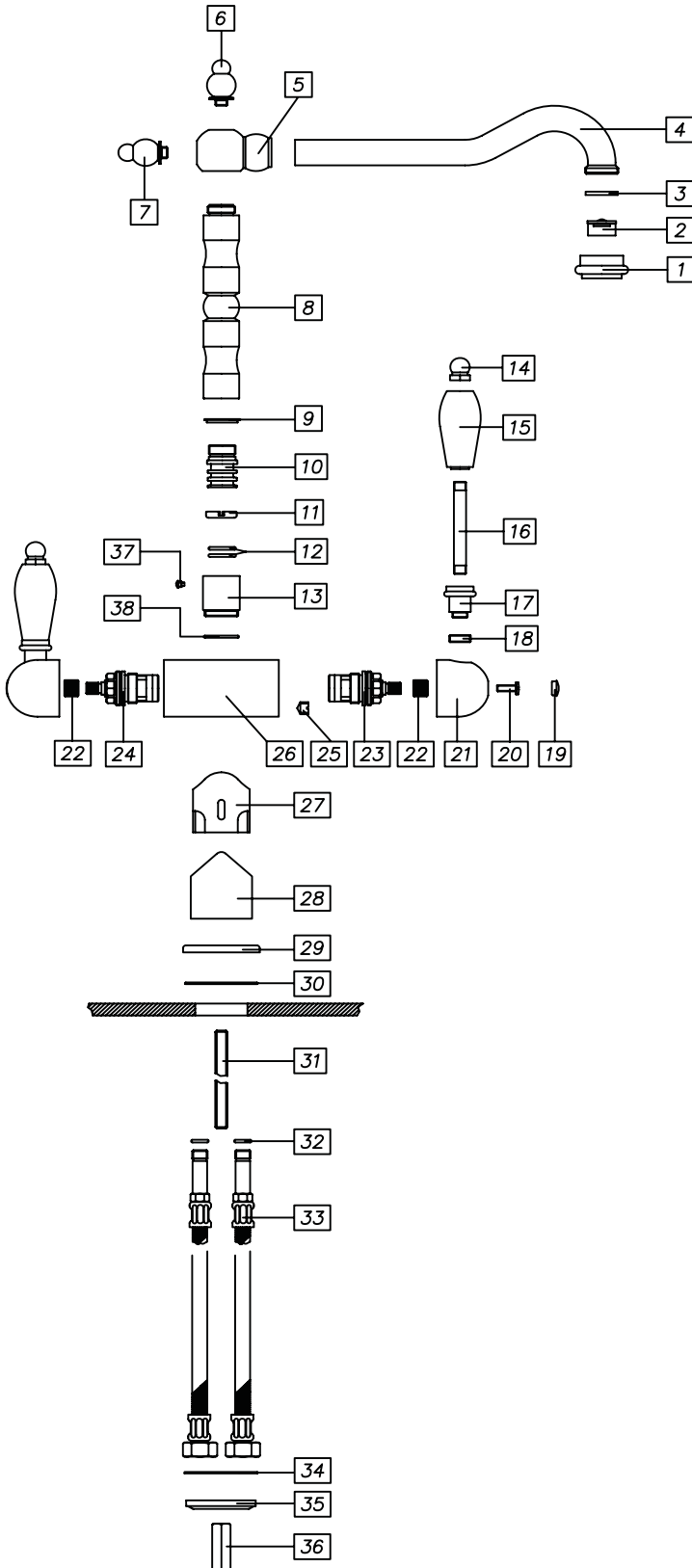
COMPLIES WITH:

- ADA
- ANSI/NSF61-CERTIFIED
- ASME A112.18.1-05/CSA B125.1-2005-CERTIFIED
- CA AB1953/VT S152
- cUPC-CERTIFIED
- UPC-CERTIFIED



SEE OTHER SIDE FOR REPLACEMENT PARTS

Victoria™ Two Handle kitchen Faucet Model LK2444



ITEM	PART	DESCRIPTION	
1	A56043R - CHROME A56142R - BRUSHED NICKEL	AERATOR ASSEMBLY	
2	A56044R - ANTIQUE BRONZE A56045R - MIRRORED COPPER		
3	A56046R - ANTIQUE COPPER		
4		SPOUT ASSEMBLY (ALSO INCLUDES AERATOR ASSEMBLY)	
5	A56012R - CHROME		
6	A56143R - BRUSHED NICKEL		
7	A56013R - ANTIQUE BRONZE		
8	A56014R - MIRRORED COPPER		
9	A56015R - ANTIQUE COPPER		
10	A56016R - OIL RUBBED BRONZE		
11			
12	A56116R		O-RING
13	N/A		N/A
14			LEVER HANDLE ASSEMBLY
15	A55977R - CHROME		
16	A56141R - BRUSHED NICKEL		
17	A55978R - ANTIQUE BRONZE		
18	A55979R - MIRRORED COPPER		
19	A55980R - ANTIQUE COPPER		
20	A55981R - OIL RUBBED BRONZE		
21		CARTRIDGE (1 PAIR, 1 RED & 1 BLUE)	
22	A56107R		
23		N/A	
24			
25			
26		HARDWARE	
27	N/A		
28			
29		SUPPLY HOSES (1 PAIR, 1 RED & 1 BLUE)	
30	A56028R		
31		HARDWARE	
32	A56096R		
33		HARDWARE	
34	A56028R		
35		N/A	
36			
37			
38	N/A	N/A	