

Item No.:	_____	Qty.:	_____
Model No.:	_____		
Project No.:	_____		



## Economy Series Hand Sink

*Economy 18" Hand Sink, Wall Mounted with Knee Valve*

EHS-18KVX

### Features

- 18 Gauge, 300 series stainless steel
- 6" Backsplash with 2" return
- Goose neck faucet included
- Knee Valve for hands free operation
- 1-1/2" Drain opening
- Strainer included
- Z-clip mounting bracket
- Easy to clean and sanitize

### Options

- Side Splashes
- Faucet Upgrade
- Apron Skirt
- P-Trap
- Overflow

### Materials

- Sink & Bowl: 18 gauge, 300 series stainless steel
- Top: Backsplash is 18 gauge, 300 series stainless steel

### Mechanical

- 1-1/8" (29mm) faucet holes on 4" (102mm) centers
- 1-1/2" (38mm) waste drain opening

### Flyer Product

*In keeping with our policy of continuing product improvement, Elkay SSP reserves the right to change product specifications without notice.*



**AUTOQUOTES**



*This specification describes an Elkay SSP product with design, quality and functional benefits to the user. When making a comparison of other producers' offerings, be certain these features are not overlooked.*

**Elkay SSP**  
421 N. Freya St.  
Spokane, WA 99205  
Phone: 800-726-0553 Fax: 509-535-1493

Website: [www.sspinc.net](http://www.sspinc.net)  
Email: [sspsales@elkay.com](mailto:sspsales@elkay.com)  
©2011 Elkay

SNK-EHS18KVX10OCT2011

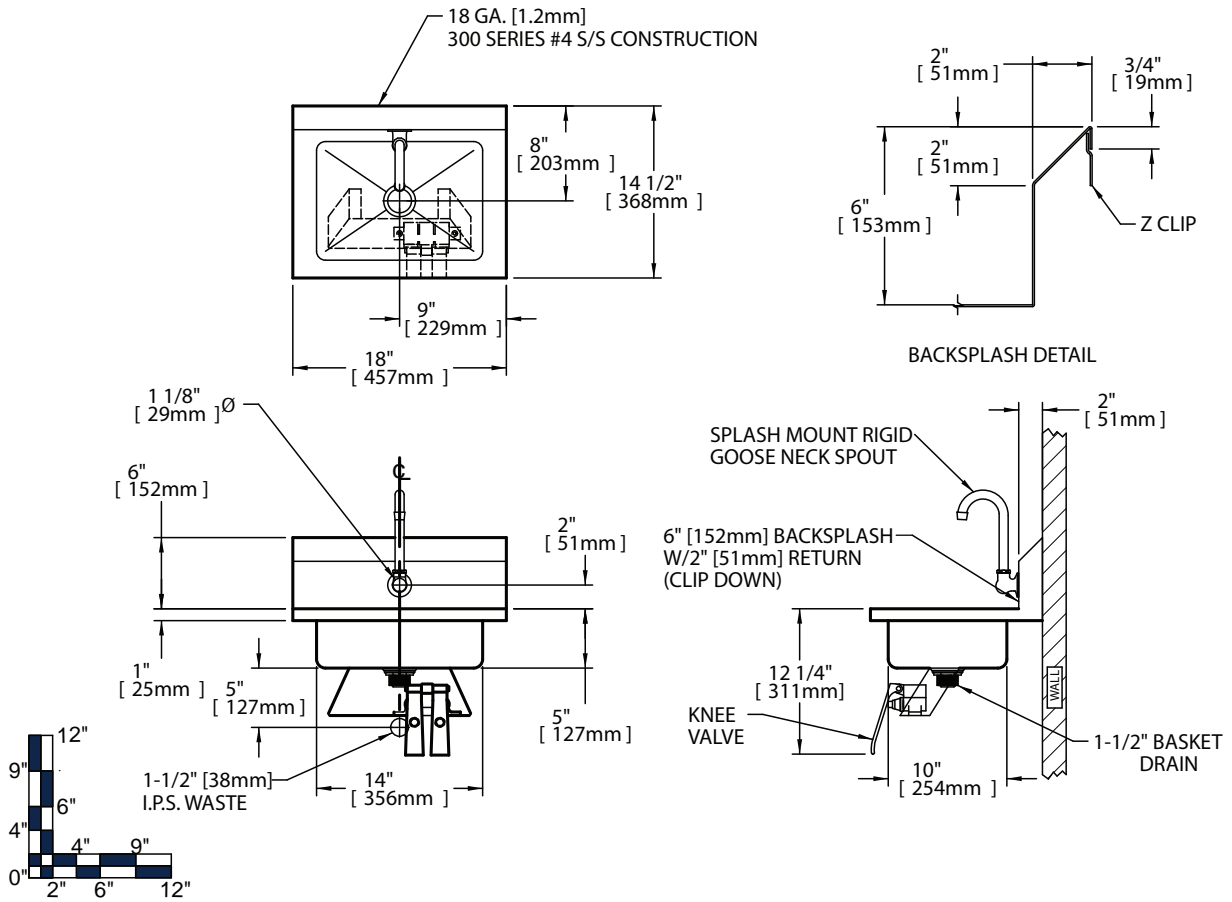
Page 1 of 2



Item No.: \_\_\_\_\_ Qty.: \_\_\_\_\_

Model No.: \_\_\_\_\_

Project No.: \_\_\_\_\_



Economy Hand Sinks																
	Bowl Dimensions						Overall Size						Drain Location		Weight	
	Width		Front-to-Back		Depth		Width		Front-to-Back		Height		DL		lbs.	kg
	A	mm	B	mm	D	mm	L	mm	W	mm	H	mm	in.	mm		
EHS - 18 - KV X	10	254	14	356	5	127	14	356	18	457	18.3	464	10.0	254	20	9

\* Custom sizes also available

