

# ELKAY<sup>®</sup>

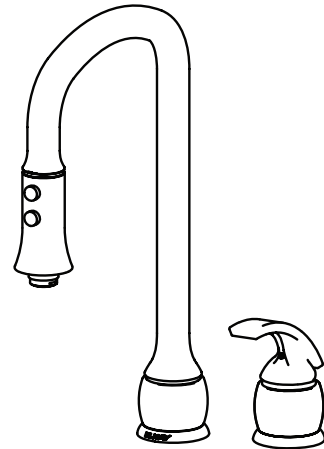
## SPECIFICATIONS

### Navaro™ Single Handle Kitchen Faucet Model LK9405

#### GENERAL FEATURES

- Pull-down spray
- Two hole top mount installation
  - Two 1-1/2" (38mm) diameter faucet holes required
  - Maximum countertop thickness is 1-3/4" (44mm)
- Single handle faucet
- Ceramic disc cartridge
- Deck clearance is 7-1/2" (191mm) from deck to aerator
- Spout height is 16-3/16" (411mm)
- Spout reach is 9" (229mm)
- 360° swing spout
- Solid brass construction
- Flexible braided stainless steel supply hoses with 3/8" (10mm) male IPS adapters
- Available in the following finishes
  - Chrome
  - Brushed nickel
  - Oil rubbed bronze
  - Oil rubbed bronze with terra cotta color ring
- Maximum flow rate
  - 2.5 GPM/9.5 L/min at 80 P.S.I.G.
  - 2.2 GPM/8.3 L/min at 60 P.S.I.G.
- Ship weight is 12 lbs. (5.4Kg)
- Due to the weight of this faucet, Elkay recommends that it be installed to an 18 (1.2mm) gauge stainless steel sink (or heavier) or to a solid surface countertop

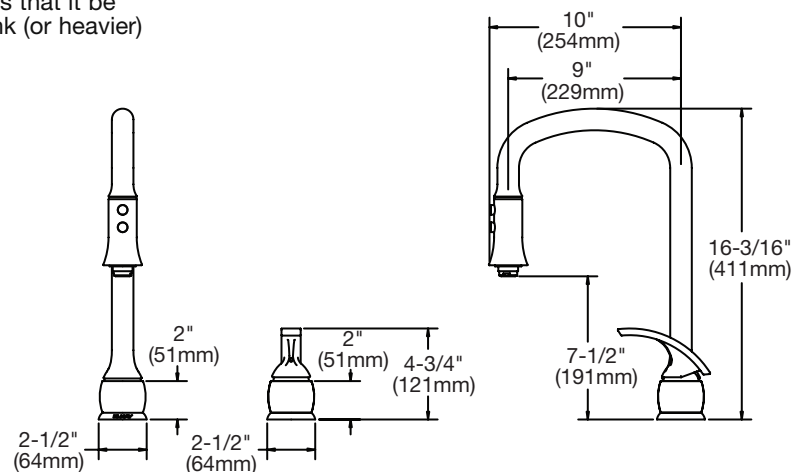
LK9405CR  
LK9405NK  
LK9405RB  
LK9405RBC



Model LK9405

#### CODES/STANDARDS

- ASME/ANSI A112.18.1 / CSA 125.1
- ANSI/NSF 61



SEE OTHER SIDE FOR REPLACEMENT PARTS

#### LIMITED LIFETIME WARRANTY

Elkay warrants that all parts and finishes of its Elkay Residential brand faucets are free from defects in materials and workmanship for the life of the product, if purchased after 1996. This warranty covers the original consumer purchaser of the product only.

If the product should leak or drip during normal use, Elkay will provide, free of charge, a replacement cartridge. For other defects in material and workmanship, Elkay will, at its option, supply replacement parts (or if no longer available a comparable product). Elkay reserves the right to examine product in question and its installation prior to replacement.

What is not covered:

1. Damage caused by accident, negligence, misuse, abuse, improper installation or operation or failure to follow care or installation instructions enclosed with your product.
2. Damage occurring during shipment of the product (claims must be presented to the carrier).
3. Normal wear and tear.
4. Labor charges, costs of removal and reinstallation, and any damages to other property.
5. All industrial, commercial and business use whose purchasers are hereby extended a limited lifetime on mechanical parts and 5 years on finish.

What you must do to obtain warranty service:

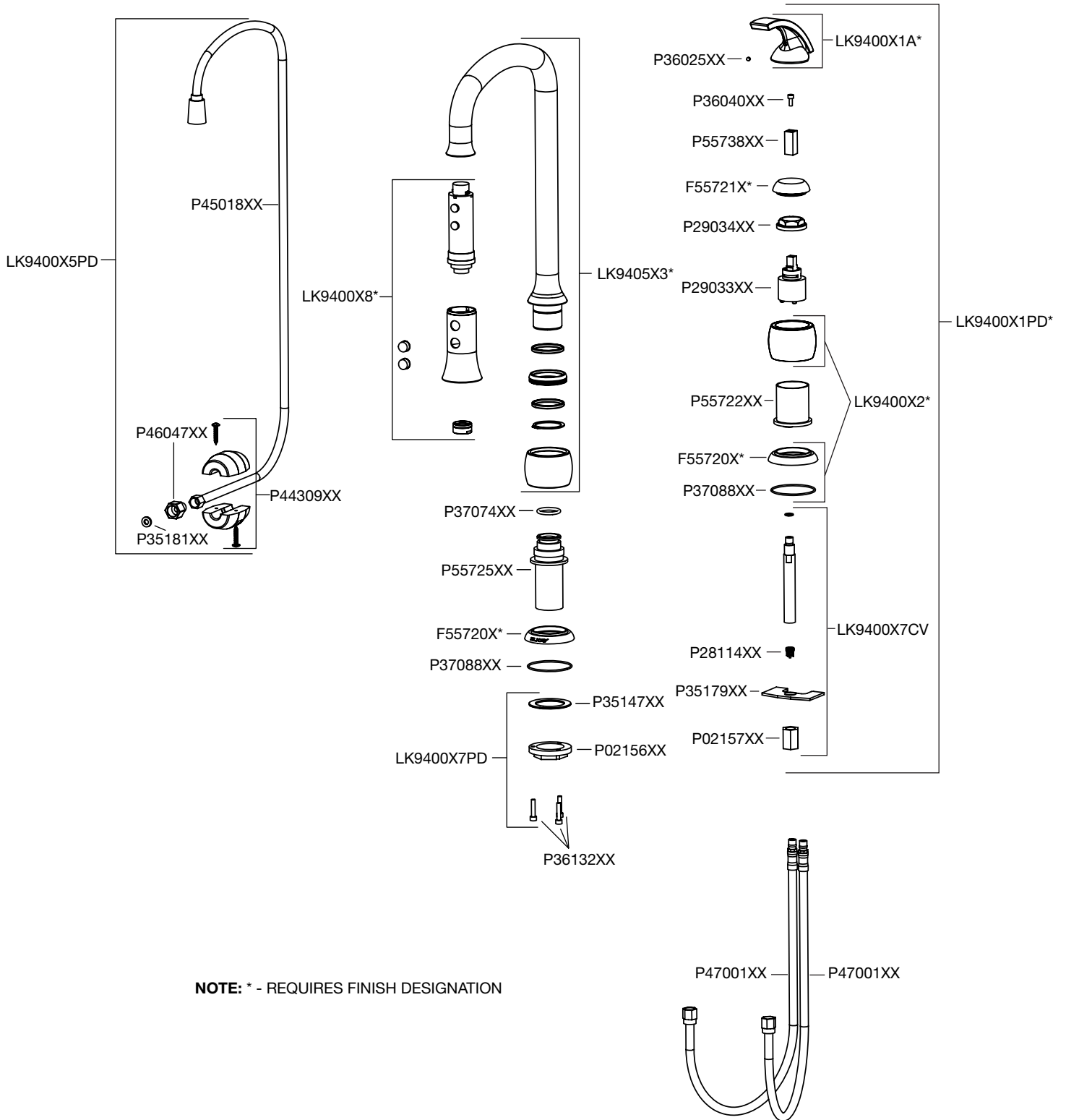
Either write to Elkay, attention Customer Care, 2222 Camden Court, Oak Brook, IL 60523 or call 1-800-223-5529. Please provide date of purchase and installation, description of nature of the defect, and model or description of model and/or component part.

**THIS LIMITED WARRANTY IS EXPRESSLY IN LIEU OF ANY OTHER WARRANTIES, EXPRESSED IMPLIED, ARISING BY LAW OR OTHERWISE, INCLUDING WITHOUT LIMITATION, ANY IMPLIED WARRANTY OF MERCHANTABILITY OR FITNESS FOR A PARTICULAR PURPOSE. THIS LIMITED WARRANTY MAY NOT BE ALTERED, VARIED, OR EXTENDED, EXCEPT BY A WRITTEN INSTRUMENT EXECUTED BY ELKAY. THE REMEDY OR REPAIR OR REPLACEMENT AS PROVIDED UNDER THIS LIMITED WARRANTY IS EXCLUSIVE. IN ON EVENT SHALL THE MANUFACTURER BE LIABLE FOR ANY CONSEQUENTIAL OR INCIDENTAL DAMAGES TO ANY PERSON, WHETHER OR NOT OCCASIONED BY NEGLIGENCE OF ELKAY, INCLUDING WITHOUT LIMITATION DAMAGES FOR LOSS OF USE, COSTS PROPERTY DAMAGE OR OTHER MONETARY LOSS.**

Some states do not allow the exclusion or limitation of incidental or consequential damages or limitations on how long an implied warranty lasts, so the above limitations or exclusions may not apply. This warranty gives you specific legal rights and you may also have other rights which vary from state to state.

This warranty covers product installed in the United States and Canada.

**Replacement Parts**



**NOTE:** \* - REQUIRES FINISH DESIGNATION