



IOWA® hydrants are intended for irrigation purposes and used for filling field spray equipment, cleaning tools and equipment, lawn and garden care, watering livestock - immediate water flow even in sub zero temperatures.

Specifications:

Female Inlet: Model Y34 - 3/4" NPT
Model Y1 - 1" NPT

Casing: Model Y34 - 1" Galvanized Steel Pipe
Model Y1 - 1 1/4" Galvanized Steel Pipe

Operating Rod: 3/8" Stainless Steel Pipe

Drain Hole: Tapped - 1/8" N.P.T.

Removable Nozzle: 3/4" Brass Male Hose Nozzle

Optional At Additional Cost:

- 1" Brass Pipe Outer Casing
- 3/8" Brass Pipe Operating Pipe
- Y34 ONLY:
 - 1" Stainless Steel Outer Casing
 - 1" NPSH Hose Nozzle

Features:

- **Adjustable Link** - Provides easy and positive adjustment of the lever lock tension.
- **Rod Guide** - Eliminates side pull on rod, reduces wear on packing, packing nut & stem.
- **Flow Finder and Lock** - A simple cam that can be set to automatically obtain the same flow each time or lock against accidental opening.
- **Long Life Packing** - Graphite packing for lubricity and long life.
- **One Piece Variable Flow Plunger** - Large cushion type seal for longer life - is not easily damaged and assures shut-off even when foreign particles are present. Automatic drain feature - plunger opens drain to prevent freezing - closes at any flow to prevent wasting water.
- **Maintenance & Repair** - Woodford has manufactured the IOWA® hydrant since 1929, and although many improvements have been made through the years, all parts are interchangeable. All repairs can be made from top of unit without removing hydrant from the ground.
- **Maximum Working Pressure:** 125 p.s.i.
- **Maximum Temperature:** 120° F

SHIPPING WEIGHT

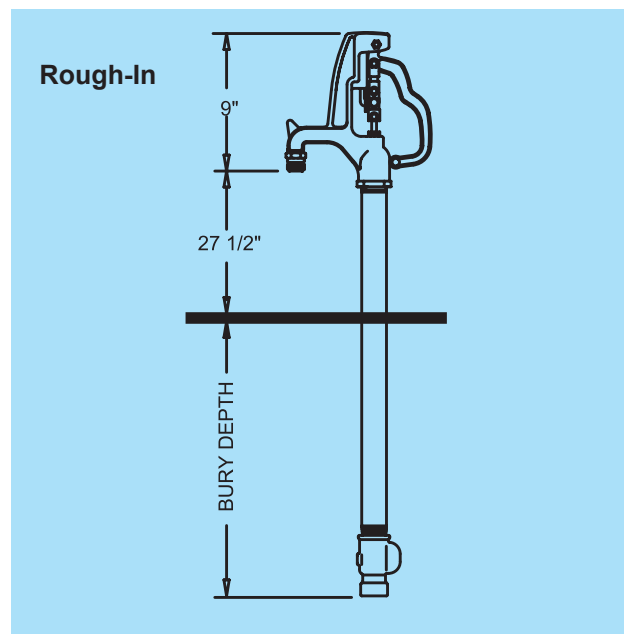
Bury Depth (Ft)	1	2	3	4	5	6*	7*
Model Y34 (Lbs)	15	17	19	22	24	26	28
Model Y1 (Lbs)	18	20	22	25	28	31	34

*Must ship by truck line due to length.

For Installation / Troubleshooting Instructions go to www.woodfordmfg.com or call 1-800-621-6032

Freezeless IOWA® Yard Hydrant Model Y34 & Y1

Galvanized Steel Pipe Standard
Optional Add SS - Stainless Steel
Optional Add BR - Brass



When ordering, specify model and bury depth.