

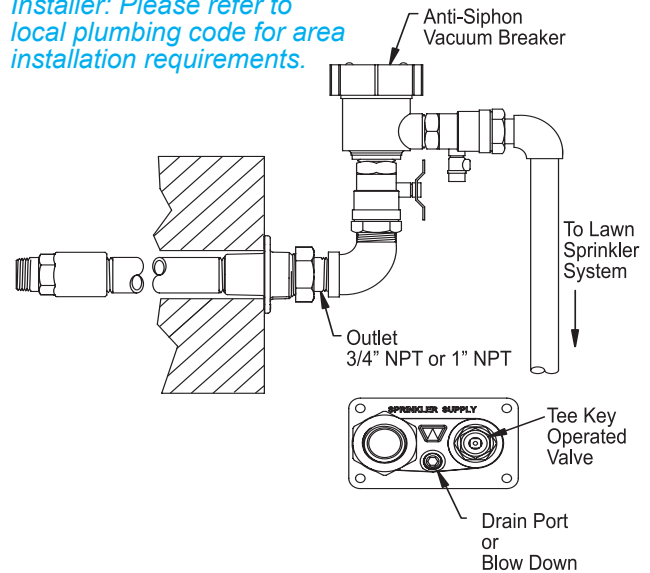
OPERATING ROD ASSEMBLY DIM. "A"		
Wall Thickness	Length	Part No.
4	5 1/2"	55304
6	7 1/2"	55306
8	9 1/2"	55308
10	11 1/2"	55310
12	13 1/2"	55312
14	15 1/2"	55314
16	17 1/2"	55316
18	19 1/2"	55318
20	21 1/2"	55320
22	23 1/2"	55322
24	25 1/2"	55324

MODEL 32 PARTS LIST

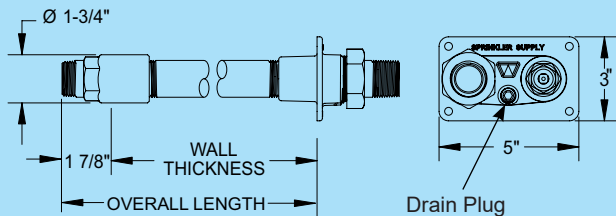
ITEM	PART#	DESCRIPTION
1	50611	AS-124 O-Ring
2	30107	Packing Nut-brass
3	30247	EPDM Packing
4	55176	Head Nut Assembly
5	50035	1/4" Pipe Plug
6	51014	Yoke Nut
7	553XX	Operating Rod Assembly (see chart for dimension "A")
8	50027	Support Washer
9	51013	Ball Valve Rubber
10	50028	Round Brass Nut
11	50595	Union Nut
12	50597	Optional 1" NPT Outlet -1IN
13	50596	3/4" NPT Outlet
14	50010	Long Tee Key
	RK-32	Repair Kit (Includes items 1-6, 8-10)

Typical Installation

Installer: Please refer to local plumbing code for area installation requirements.



Rough-In Dimensions



P Inlet: Combination 3/4" FPT & 1" MPT VB
 C Inlet: 3/4" Copper Sweat VB
 Outlet: 3/4" NPT or Optional 1" NPT

Installation Requires Downward Pitch For Draining.

Wall Thickness	Overall Length	Shipping Wt. (Lbs)
4	5 7/8"	4.5
6	7 7/8"	4.8
8	9 7/8"	5.2
10	11 7/8"	5.5
12	13 7/8"	5.9
14	15 7/8"	6.2
16	17 7/8"	6.6
18	19 7/8"	6.9
20	21 7/8"	7.3
22	23 7/8"	7.6
24	25 7/8"	8.0

For more information contact...

WOODFORD MANUFACTURING COMPANY

2121 Waynoka Road, Colorado Springs, Colorado 80915 • Phone: (800) 621-6032 • Fax: (800) 765-4115
 To view our complete product line visit: www.woodfordmfg.com or email: sales@woodfordmfg.com
 A Division Of WCM Industries, Inc.