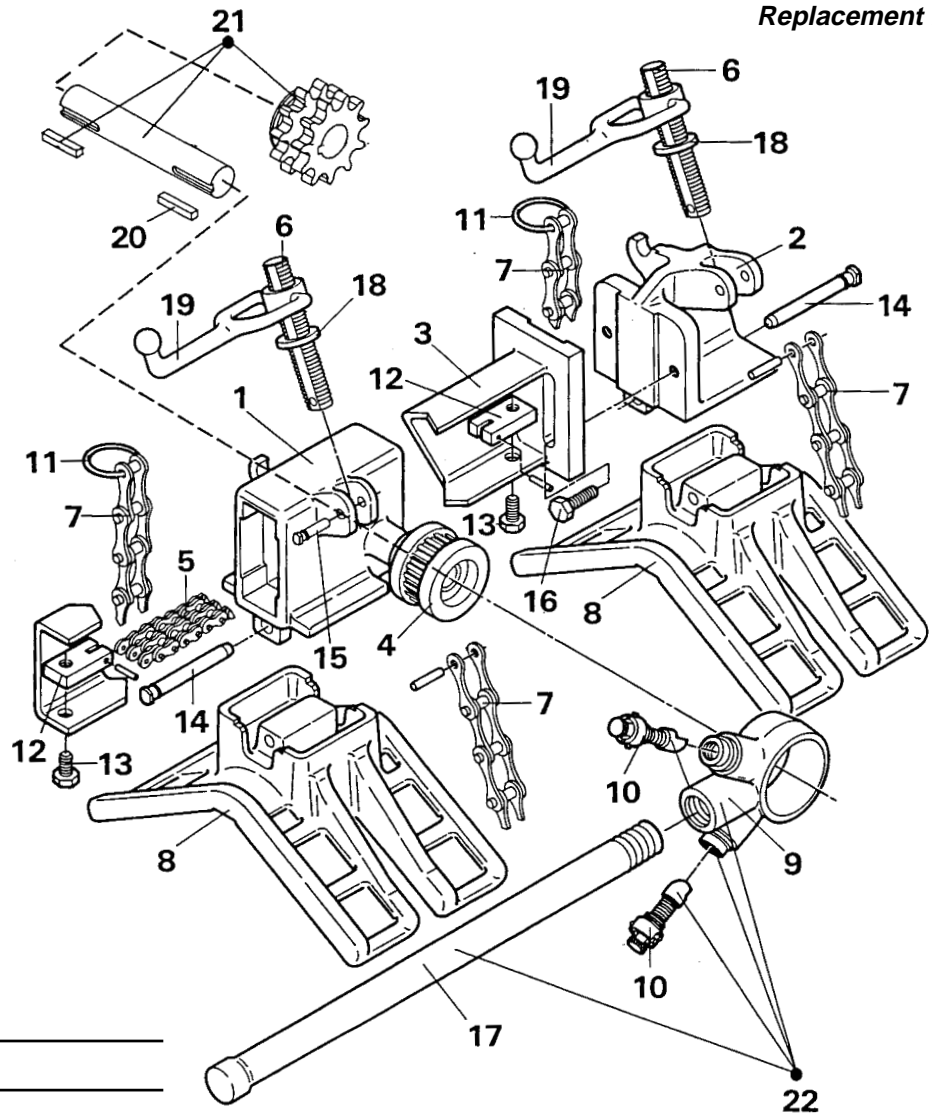




PIPE TOOLS & VISES  
SINCE 1896

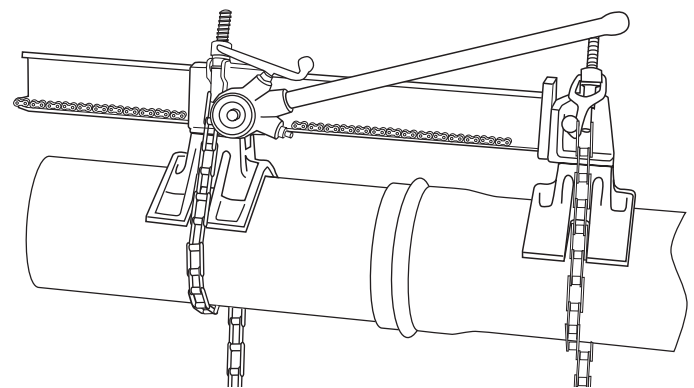
# Plastic Pipe Joiner

## Replacement Parts



### Parts List

Ref. No.	Description	Item Code	Qty. Used
1	Adjustable Bracket	94042	1
2	Fixed Bracket	94097	1
3	Beam Assembly	94094	1
4	Ratchet Head	94040	1
5	Rack Chain (with anchor pins)	40214	1
6	Screw & Nut Assembly	94037	2
7	Clamp Chain (with master link)	40114	2
8	Saddle	(see saddles chart)	pair
9	Ratchet Ring	95064	1
10	Pawl Assembly	96189	2
11	Chain Ring	40294	2
12	Chain Anchor	94092	2
13	Cap Screw	30115	2
14	Saddle Pin	93200	2
15	Chain Keeper Pin	83185	2
16	Cap Screw	30012	2
17	Ratchet Handle	97218	1
18	Lock Washer	92061	2
19	Screw Handle	92007	2
20	Ratchet Key	94093	1
21	Sprocket Assembly	94112	1
22	Ratchet Ring & Handle	94033	1



#### Saddles Chart — Sold by the pair

04441	Universal Saddles 4" to 16" for gasketed pipe
04442	4" Saddle for solvent cement connections
04444	6" Saddle for solvent cement connections
04447	8" Saddle for solvent cement connections
04448	10" Saddle for solvent cement connections
04449	12" Saddle for solvent cement connections

Reed Manufacturing Company  
1425 West 8th Street  
Erie, PA 16502 USA

Phone: 800-666-3691 or 814-452-3691  
Fax: 800-456-1697 or 814-455-1697  
www.reedmfgco.com

RP-1104-88