

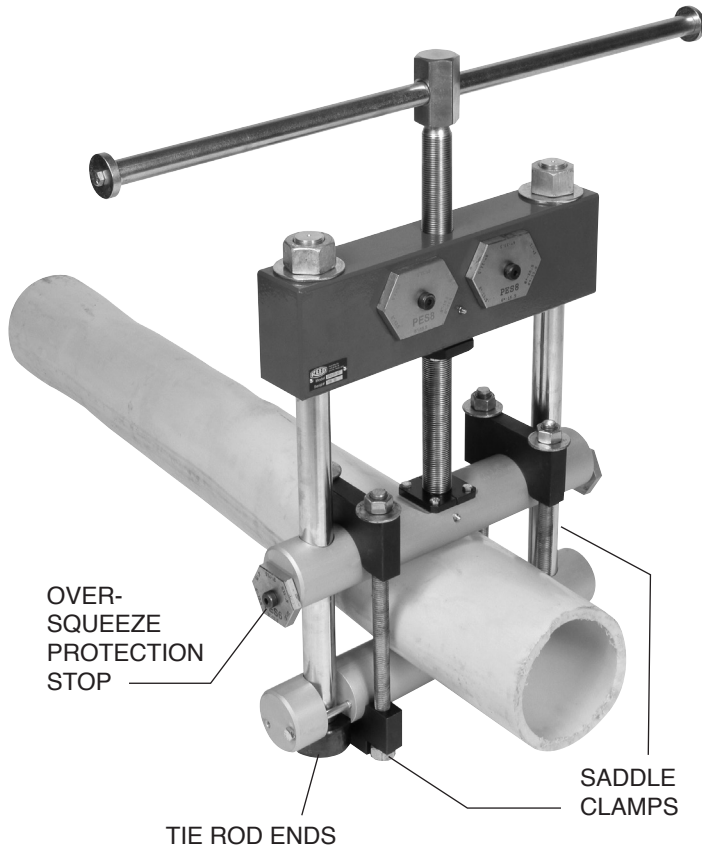


PIPE TOOLS & VISES
SINCE 1896

PES6M PE Squeeze-Off Instructions

CAPACITY: 3" - 6"

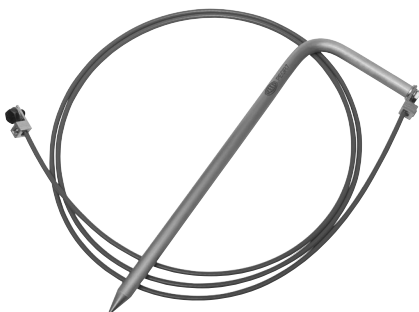
Catalog No. PES6M Item Code #04313



1. **FOLLOW ALL SAFETY PROCEDURES.**
2. Determine pipe/tube size and wall thickness to be squeezed. Set stops for over-squeeze protection.
3. Assemble tool handle where desired.
4. Insert ground probe from #04621 Static Grounding Device into moist soil, attach to bottom bar.
5. Unscrew the main pressure screw.
6. Lift and swing bottom bar.
7. Center the squeeze-off tool on and square to pipe. This will allow pipe to flatten without jamming pipe against tie rods.
8. Swing bar back over tie rods.
9. Turn the feed screw to compress the pipe at a slow rate with momentary pauses to allow stress relaxation in the pipe to occur. This is particularly important when pipe is stiff in cold weather.
10. Use SADDLE CLAMPS to aid compressing the pipe or as a safety precaution to prevent accident release. Tighten down on nuts to pull both sides of clamps together.
11. For thick pipe (1/2"-12 mm or larger), use saddle clamps to help squeeze the pipe.
12. Squeeze the pipe only until flow is controlled or bottom bar contacts OVER-SQUEEZE PROTECTION STOPS. Operation beyond this point may cause damage to pipe or tool.

TOOL REMOVAL

1. A release rate of 1/2" per minute or less should be maintained to prevent damage to pipe as recommended by ASTM F1041.
2. Rounding can be done by rotating tool 90° and applying enough force to round pipe.
3. Inspect squeezed section for damage before covering. Procedures should be followed that will prevent the same area to be squeezed-off more than once.



#04621 Static Grounding Device (optional).

SAFETY CONSIDERATIONS

Pressure control situations requiring squeeze-off may involve working in the vicinity of escaping gas. Consider the possibility and potential hazard of static electricity and observe safety precautions. Precautions can be taken to dissipate the charge, and minimize the possibility of an ignition. This will maximize the personal safety of the crew. These precautions should be followed as a minimum, conditions may require additional measures.

- To provide dissipation for static charge, wet down surfaces with conductive fluids and/or apply conductive films or fabrics to the pipe. Keep precautions in place until procedures are complete.
- Ground all tools.
- Periodically verify that continuity is maintained from ground probe to tool.

Check the squeeze-off tool prior to use to assure it is the correct size; is properly functioning; and is properly adjusted for the squeeze-off to be done.*

*Reed strongly recommends use of the PEGR7 Static Grounding Device (#04621) with PE Squeeze-Off Tools. Use a grounding accessory as a precaution against static build-up. Dissipate the charge and minimize the possibility of ignition.

Additional information on static electricity is available in the PPI Handbook of Polyethylene Pipe 2nd Edition.

Reed Manufacturing Company
1425 West 8th Street
Erie, PA 16502 USA

QUALITY
&Service
that Last a Lifetime

Phone: 800-666-3691 or 814-452-3691
Fax: 800-456-1697 or 814-455-1697
www.reedmfgco.com