

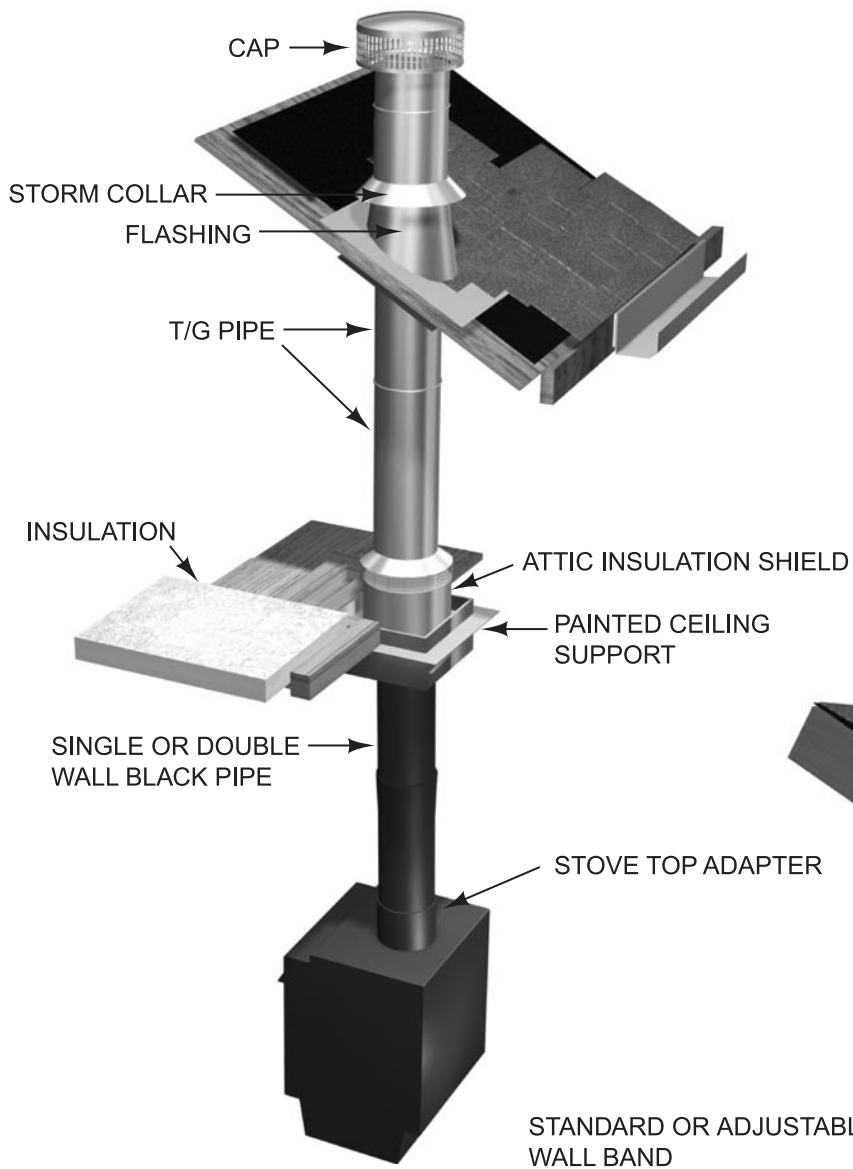
METAL-FAB INC.



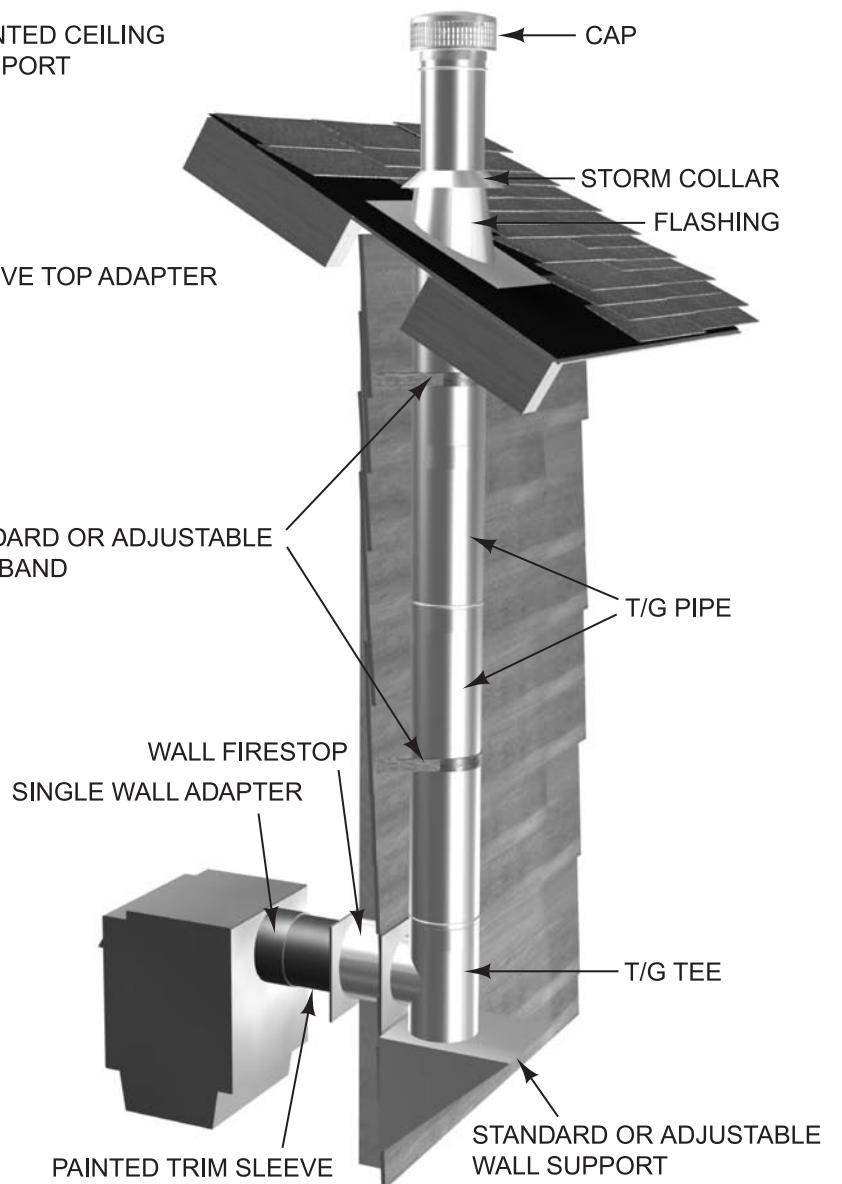
SOLID FUEL PRODUCTS
TEMP/GUARD® CHIMNEY • BLACK STOVE PIPE

FOR USE WITH WOOD, COAL, OIL OR GAS-FIRED APPLIANCES

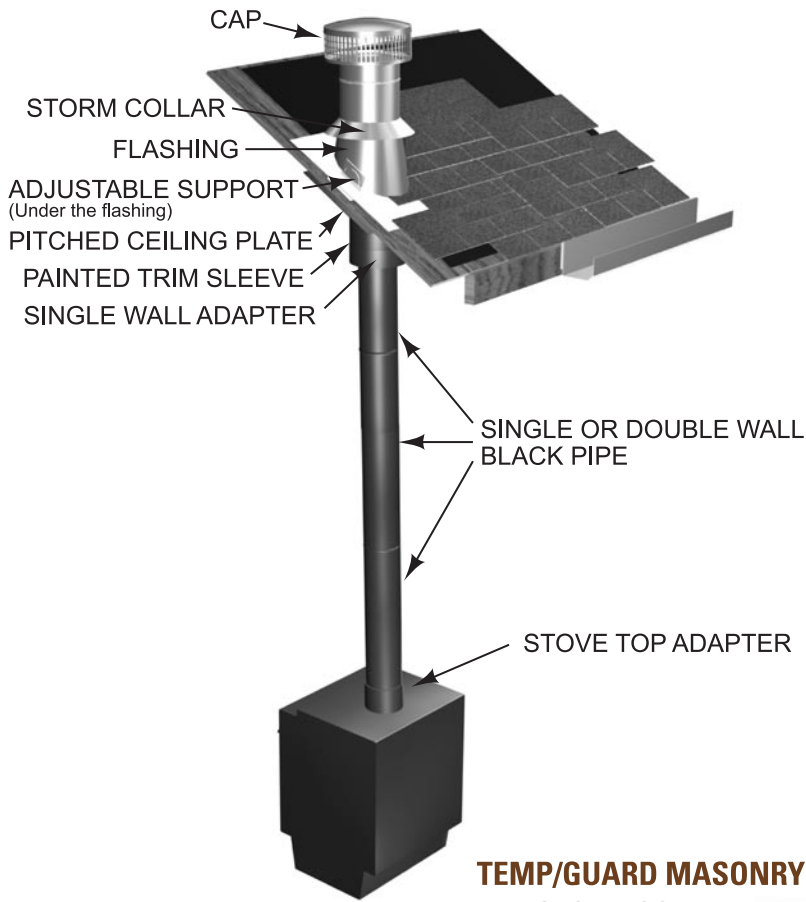
TEMP/GUARD INTERIOR - NO OFFSET



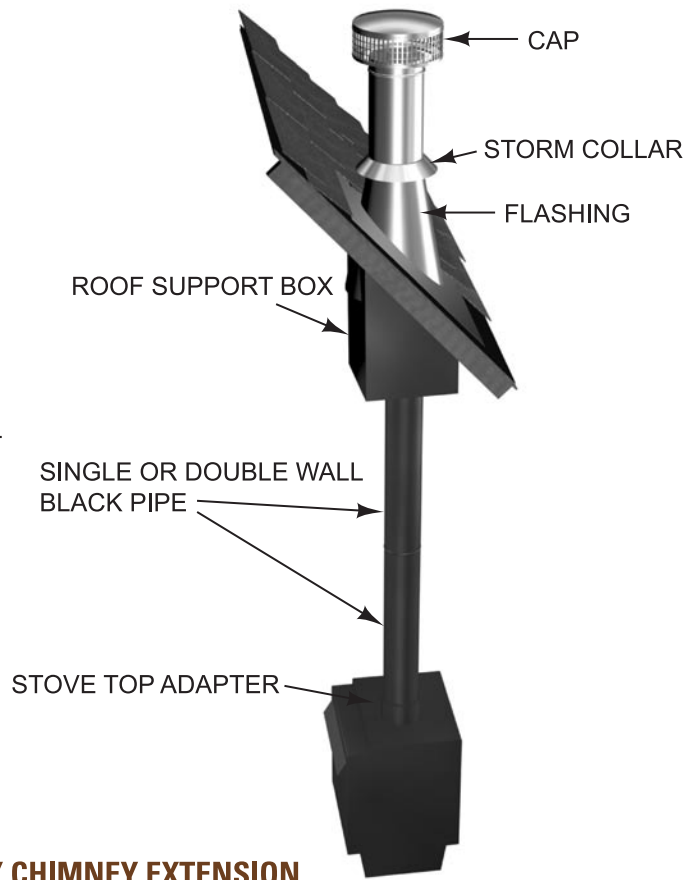
TEMP/GUARD EXTERIOR



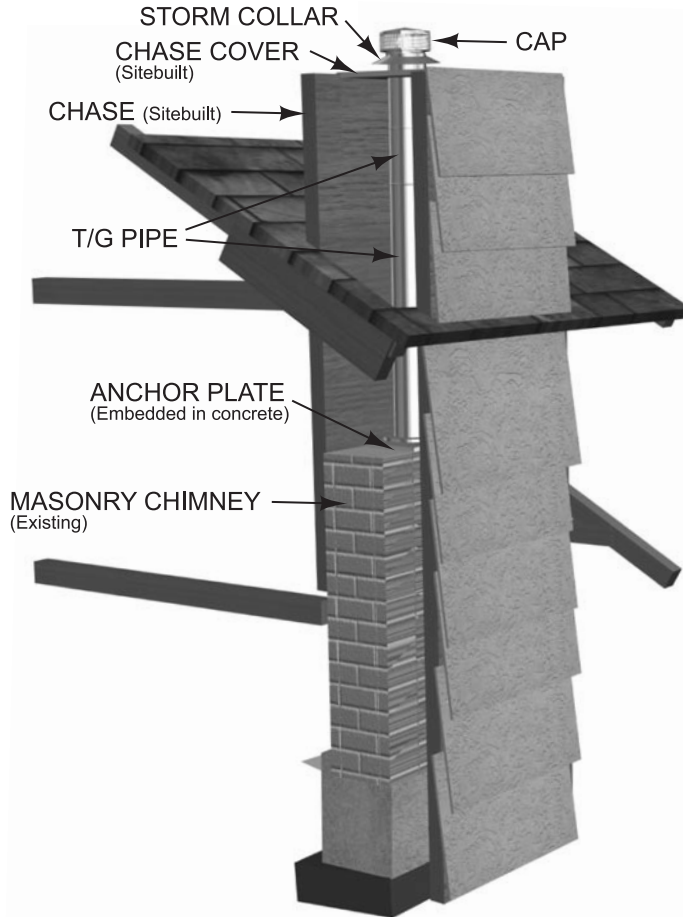
TEMP/GUARD PITCHED CEILING



TEMP/GUARD HIGH-PITCHED CATHEDRAL CEILING



TEMP/GUARD MASONRY CHIMNEY EXTENSION



Note: Twist Lock Pipe (6"-12") overlaps 1½" when joined together. Therefore, assembled length is 1½" less than listed length.

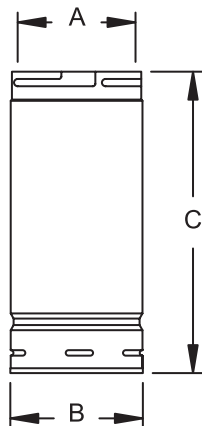
Temp/Guard® All-Fuel Chimneys

Double-wall, factory-built type for use with listed wood, coal, oil or gas-fired appliances.

- Temp/Guard Max! is the only all-fuel chimney that is UL Listed for 1½" clearance to combustibles on 6", 7" and 8" diameters.
- Sizes 6", 7", 8", 10", 12" and 14" are listed by Underwriters Laboratories Inc. to UL Standard 103HT (2100° intermittent; 1000° continuous).
- Sizes 16" and 18" are listed by Underwriters Laboratories Inc. to UL Standard 103 (1700° intermittent; 1000° continuous).
- The S.S. flue conduit is wrapped with ceramic insulating material.
- Temp/Guard is tested and listed for a minimum clearance to combustibles of 2".

- **Application Reminder:** For oil or coal burning appliances, use only pipe with S.S. casing and S.S. or Aluminum accessory components outside the envelope of the building.
- **Appliance Caution:** Temp/Guard is intended for use in residential and building heating appliances that operate at continuous temperatures below 1000°.

CHIMNEY PIPE – 6" - 12" TGS (Stainless casing) and TGG (Galvanized casing)

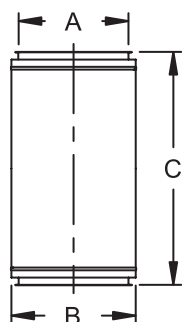


SIZE	6"	7"	8"	10"	12"
A	6	7	8	10	12
B	9	10	11	13	15
C	6, 12, 18, 24, 36, and 48* inch lengths				

*48" lengths of 10" and 12" not available

The outer casing of stainless or galvanized provides strength, durability, and corrosion resistance. Twist lock enables fast, easy installation, without tools. **Always use TGS for exterior pipe in oil applications.**

CHIMNEY PIPE – 14" - 18" TG (Aluminized Outer Casing)



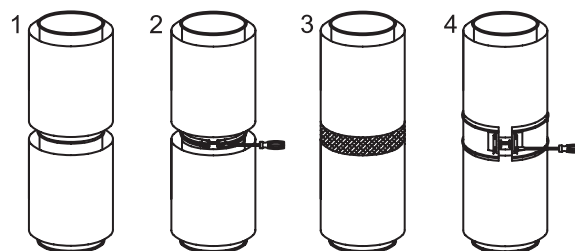
SIZE	14"	16"	18"
A	14	16	18
B	18	20	22
C	9, 18, 30, and 42 inch lengths		

Notes:

- (1) 14" listed to 2100° intermittent; 1000° continuous
- (2) 16" & 18" listed to 1700° intermittent; 1000° continuous

For the 14", 16", and 18" diameters, the flues are installed flange to flange (diagram 1); retained by securing a flange band over the mating flanges (diagram 2); wrapped at the joints with insulation (diagram 3); and covered by a closure band (diagram 4).

Diagrams:



FLANGE BAND

CLOSURE BAND