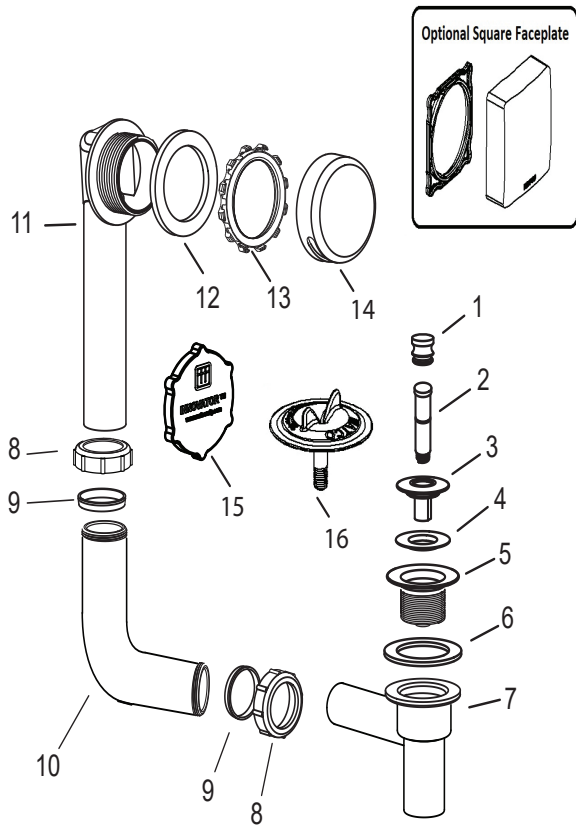


595 Direct Drain Series Parts List



Item	Part #	Description
1	01010CP	Knob, Brass
2	11584	Friction Ring (11504) and Post (11508)
3	01013CP	Stopper, Brass
4	11507	Seal, 1 1/16" dia.
5	01016CP	Strainer Body, Brass, 1.865" - 11.5 x 1.25"
6	10696	Drain Ell Washer, 1.5", gray
7	10081 14028	Drain Tee for Direct Drain-Polypropylene Drain Ell, Tubular PVC, Coarse Thread
8	11580 11581	Slip Joint Nut, ABS Slip Joint Nut, PVC
9	11583	Slip Joint Polywasher
10	10080	Elbow for Direct Drain-Polypropylene
11	11019 14019	Innovator® Overflow Ell, Tubular ABS Innovator® Overflow Ell, Tubular PVC
12	10675	Overflow Ell Washer, Foam
13	11121 11127	Star Retainer Nut for Innovator® ABS Square Retainer Nut for Innovator®
14	01005CP 01007CP	Overflow Plate for Innovator® Square Face Plate for Innovator®
15	11114	Innovator® Test Cap
16	11577	Test Plug w/O-Ring-type Gasket

OPTIONAL TUB CLOSURES FOR 595-SERIES BATH WASTES (PUSH PULL® ALSO SHOWN ABOVE)

**PUSH PULL®
Coarse Thread**

- 01010CP
01010__*
- 11584
- 01013CP
01013__*
- 11507
- 01016CP
01016__*

**LIFT & TURN
Coarse Thread**

- 01010CP
01010__*
- 11079
- 11088
- 11290CP
01013__*
- 11507
- 11492CP
01016__*

**PRESFLO®
Coarse Thread**

- 11145CP
11145__*
- 11132
- 11060CP
11060__*
- 96039:
Suction Cup
for removing
stopper

**FOOT ACTUATED
Coarse Thread**

- 38412-CP
38412-__*
- 11492-CP
01016-__*

**If finish other than Chrome is desired, please use this part number and indicate desired finish.*

Finishes Available in the 595 Series:

Tub Closure:	PUSH PULL®	LIFT & TURN	PRESFLO®	FOOT ACT.
AP - Aged Pewter	•	•	•	
BB - Brushed Bronze	•	•	•	•
BN - Brushed Nickel	•	•	•	•
BO - Bone	•	•		
BS - Biscuit	•	•		
BZ - Oil-Rubbed Bronze	•	•	•	•
CB - Chrome Brushed	•	•	•	•
CP - Chrome Plated	•	•	•	•
NP - Nickel Polished	•	•	•	•
PB - Polished Brass	•	•	•	•
WH - White	•	•		•
WI - Wrought Iron	•	•	•	•