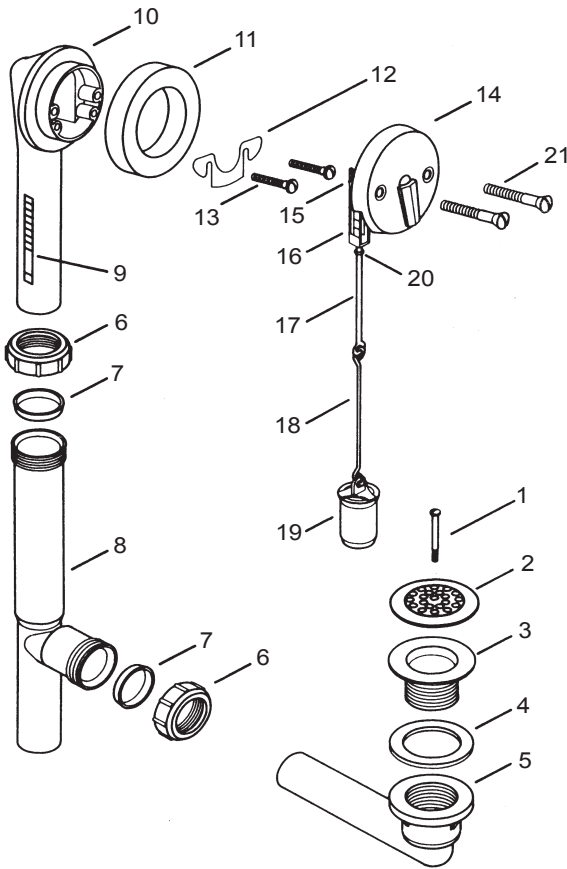
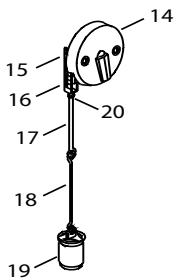


# 500-TL/550-TL and 500-TQ Series Parts List



Item	Part #	Description
1	01040CP	Strainer Cover Plate Screw
2	01006CP	Strainer Cover Plate
3	11495CP	Trip Lever zinc Strainer Body, 11/2" - 11.5
4	10696	Drain Ell Washer
5	11028	Drain Ell Tube, Tubular ABS, 11/2" - 11.5
	14028	Drain Ell Tube, Tubular PVC, 11/2" - 11.5
6	11580	Slip Joint Nut, ABS
	11581	Slip Joint Nut, PVC
7	11583	Slip Joint Polywasher
8	11000	Tee, Tubular ABS
	14000	Tee, Tubular PVC
9	TQ only	QUICK ADJUST® label
10	11003	Overflow Elbow, Tubular ABS
	14003	Overflow Elbow, Tubular PVC
11	10675	Overflow Ell Washer, Foam
12	11530	Retainer Plate
13	11540	Retainer Plate Screw
14	10700CP	TL Faceplate Assembly
15	10930	Cotter Pin
16	10950	TL Quick Adjust "Q" Clevis
17	10953	Top Linkage Eye Bolt
18	10954	5.25" Double-Loop Wire
19	11005	Drop Cylinder for ABS
	14005	Drop Cylinder for PVC
20	10952	TL Linkage Nut
21	01024CP	Screw, Overflow Plate, 2.25"

\* Please indicate desired finish.



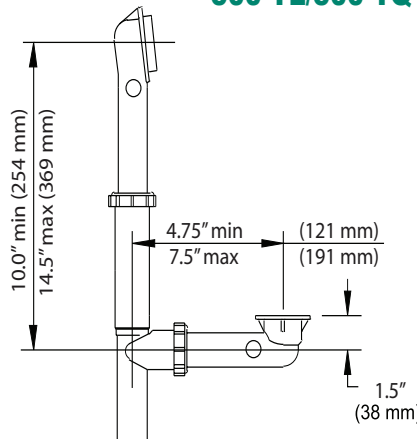
## 10770-(PVC or ABS)-\_\_

Trip Lever faceplate assembly replacement for tubular plastic trip lever bath wastes.

Indicate PVC or ABS and finish desired.

### Roughing-In Dimensions:

#### 500-TL/500-TQ



#### 550-TL

