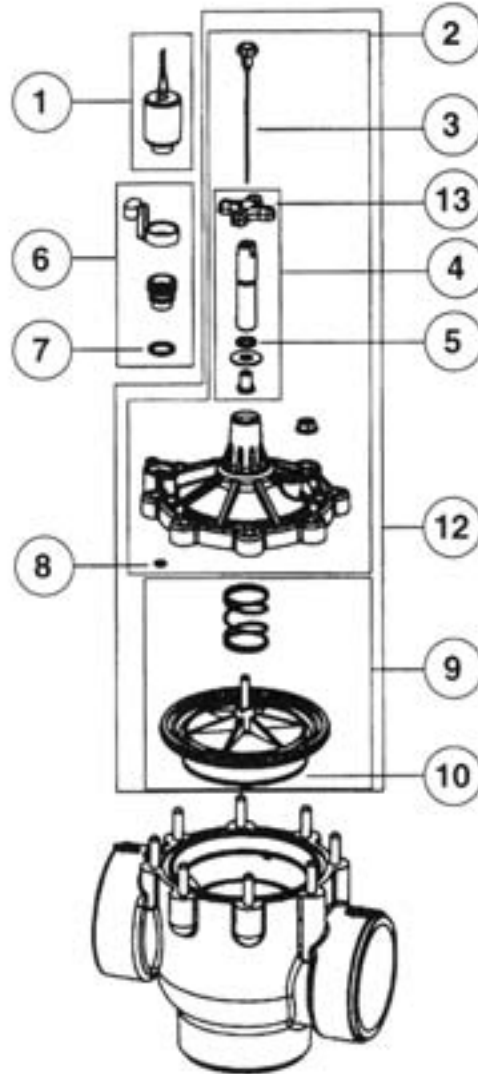


VALVES

100 SERIES CENTURY PLUS ELECTRIC GLOBE/ANGLE

MODEL NUMBERS:

- 100P1
- 100P1.5
- 100P2
- 100P3



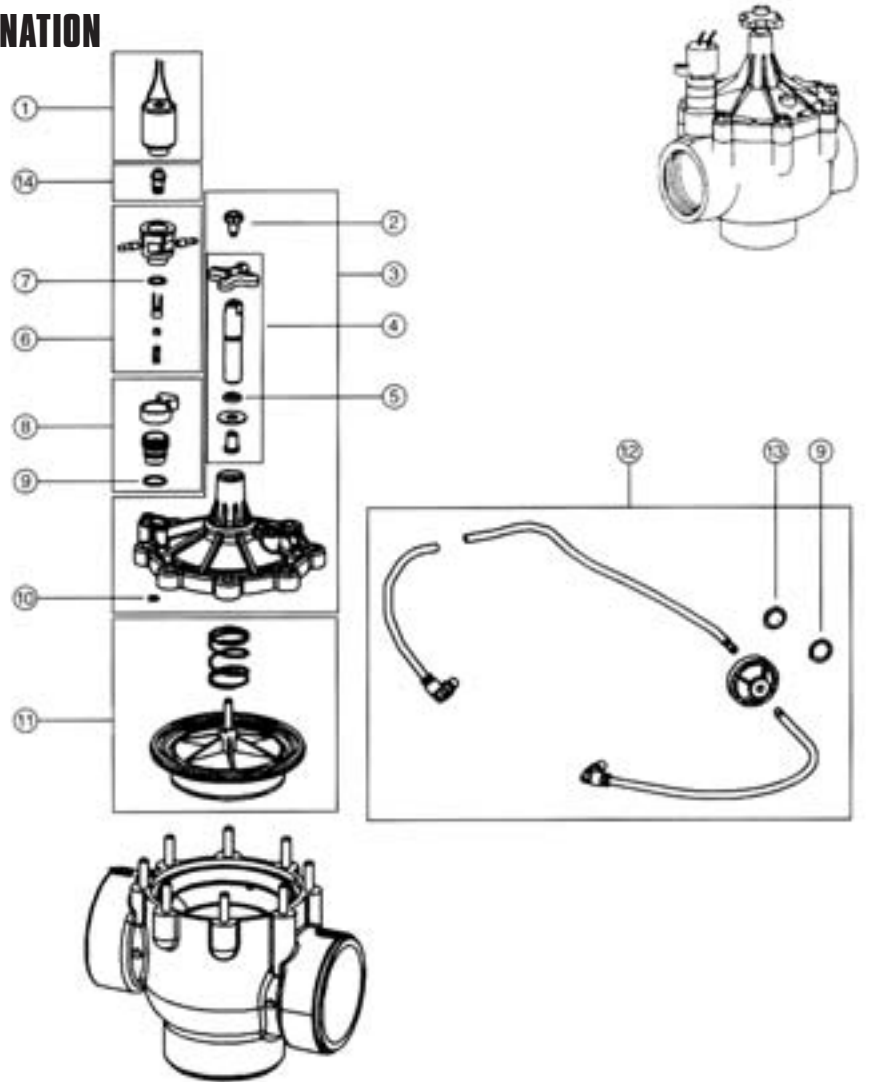
REF.#	DESCRIPTION	100P1 PART NO.	100P1.5 PART NO.	100P2 PART NO.	100P3 PART NO.
1	Solenoid Assy., 24 VAC, 60 Hz	R811-24VACG	R811-24VACG	R811-24VACG	R811-24VACG
1	Solenoid Assembly, 24 VAC, 50 Hz	588403	588403	588403	588403
2	Bonnet Assembly	R933601	R933601	R934601	R934601
3	Metering Rod Assembly	R-1552	R-1552	R-1552	R-1552
4	Stem Assembly	R2862-1	R2862-1	R-1032	R-1032
5	O-Ring	R688701	R688701	R688701	R688701
6	Manual Bleed Assembly	R606902	R606902	R606902	R606902
7	O-Ring	R1631	R1631	R1631	R1631
8	O-Ring	R1054	R1054	R1054	R1054
9	Diaphragm Assembly	R933501	R934201	R934501	R935001
10	Seat Seal	-----	-----	R1058	R1059
11	Retrofit Kit	R936001	R936101	R936201	R936301
12	Handle	R856101	R856101	R1017-1	R856101
	Repair Kit (Includes Ref.# 3, 7, 8 & 9)	R100P1	R100P1	R100P1	R100P1
	Retrofit Kit Screws (100)	R739001	R739001	R739001	R739001

VALVES

100 SERIES ANTI-CONTAMINATION ELECTRIC GLOBE/ANGLE

MODEL NUMBERS:

- 102P1
- 102P1.5
- 102P2
- 102P3



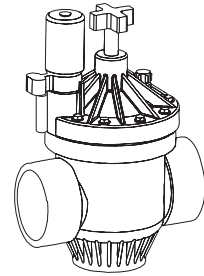
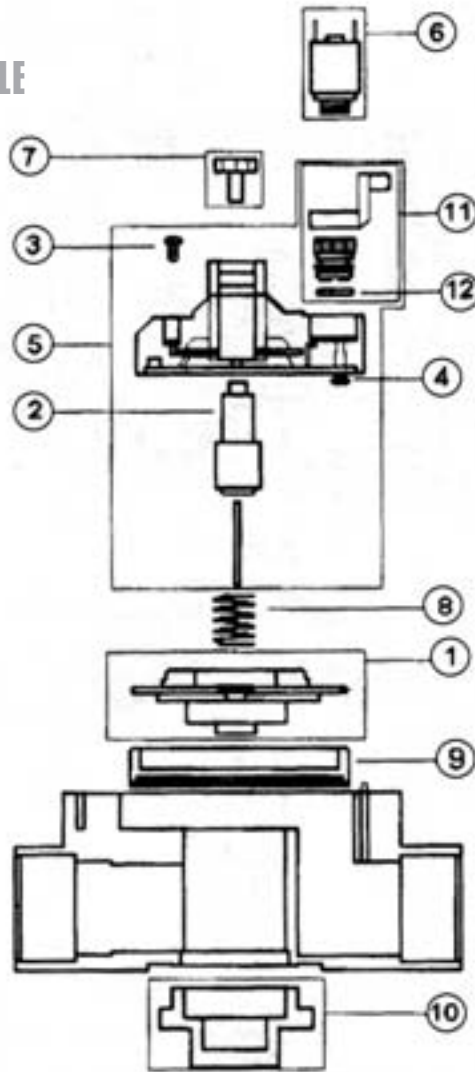
REF.#	DESCRIPTION	102P1 PART NO.	102P1.5 PART NO.	102P2 PART NO.	102P3 PART NO.
1	Solenoid Only (no plunger/springs)	R794101	R794101	R794101	R794101
2	Bleed Button, Slot	R2805	R2805	R2805	R2805
3	Bonnet Assembly	R955601	R955601	R955801	R955801
4	Stem Assembly	R2862-1	R2862-1	R-1032	R-1032
5	O-Ring	R688701	R688701	R688701	R688701
6	3-way Pilot Assembly	R-1340	R-1340	R-1340	R-1340
7	O-Ring	100225	100225	100225	100225
8	Bleed Plug, Anti-contamination	R685201	R685201	R685201	R685201
9	O-Ring	R1631	R1631	R1631	R1631
10	O-Ring	R1054	R1054	R1054	R1054
11	Diaphragm Assembly	R956001	R956101	R956201-H	R956301
12	Anti-contamination Kit	R1146-2	R1146-2	R1146-2	R1146-2
13	Anti-contamination Screen	R1733	R1733	R1733	R1733
14	Spring and Plunger Assembly	R532503	R532503	R532503	R532503
	Retrofit Kit (Parts included 3, 11, 8, 6)	R956401	R956501	R956601-H	R956701-H

VALVES

200B SERIES ELECTRIC GLOBE/ANGLE

MODEL NUMBERS:

- 214B
- 216B
- 217B



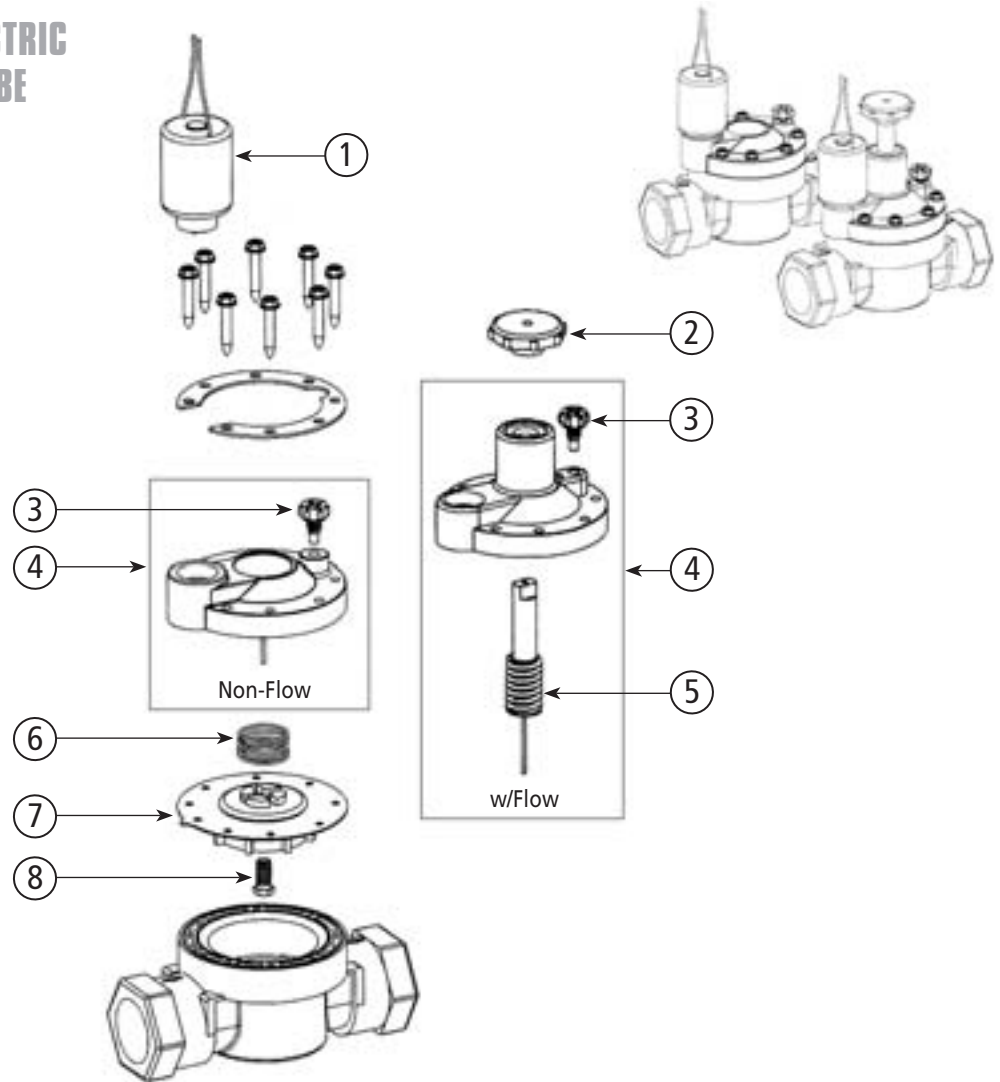
REF.#	DESCRIPTION	214B PART NO.	216B PART NO.	217B PART NO.
1	Diaphragm Assembly	539001	114401-H	114601-H
2	Flow Shaft Assembly	100230	113401	113401
3	External Bleed Screw	100229	100229	100229
4	O-Ring	121001	121001	121001
5	Cover Assembly (Bonnet)	R152101	R216101	R218401
6	Solenoid Assembly, 24 VAC, 60 Hz	R811-24VACG	R811-24VACG	R811-24VACG
6	Solenoid Assembly, 24 VAC, 50 Hz	588403	588403	588403
7	Flow Adjustment Handle	R835601	100322-H	100322-H
8	Spring	R153201	113801-H	114001
9	Divider	100237-H	115001-H	120601
10	Inlet Plug & O-Ring, NPT	112801-H	122301	122501
11	Internal Manual Bleed Assembly	R606902	R606902	R606902
12	O-Ring	R1631	R1631	R1631

VALVES

205 SERIES ELECTRIC GLOBE

MODEL NUMBERS:

- 205S
- 205T
- 205SF
- 205TF



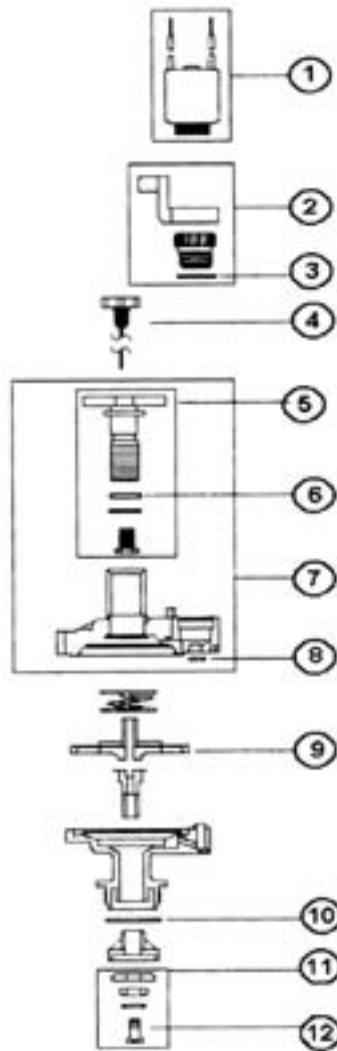
REF.#	DESCRIPTION	205S / 205T	205SF / 205TF
		PART NO.	PART NO.
1	Solenoid Assembly, 24 VAC, 60 Hz	R811-24VACG	R811-24VACG
1	Solenoid Assembly, 24 VAC, 50 Hz	588403	588403
2	Flow Adjust Knob	-----	100227-H
3	Bleed Screw	100229	100229
4	Cover Assembly Flow Adjust	100272	100273-H
5	Flow Shaft Assembly	-----	100230
6	Spring	100231-H	100231-H
7	Diaphragm Assembly	100232-H	100232-H
8	Diaphragm Screw	R544101	R544101
9	Cover/Diaphragm Assembly Kit (includes screws and spring)	R205KIT	R205TFKIT

VALVES

300 SERIES ELECTRIC VALVE ADAPTER

MODEL NUMBERS:

- 300-.75
- 300-1



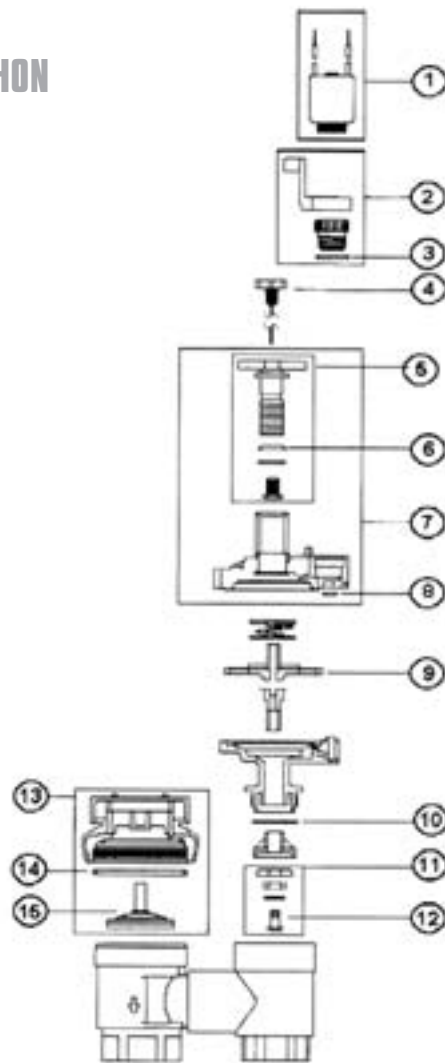
REF.#	DESCRIPTION	300-.75 PART NO.	300-1 PART NO.
1	Solenoid Assembly, 24 VAC, 60 Hz	R811-24VACG	R811-24VACG
1	Solenoid Assembly, 24 VAC, 50 Hz	588403	588403
2	Manual Bleed Assembly	R606902	R606902
3	O-Ring	R1631	R1631
4	Metering Rod Assembly	R-2025	R-2025
5	Flow Adjustment Assembly	R2862-1	R2862-1
6	O-Ring	R688701	R688701
7	Bonnet Assembly	R933601	R933601
8	O-Ring	R1054	R1054
9	Diaphragm Stem Assembly (includes Ref. Nos. 2 & 8)	R727001	R726901
10	O-Ring	R726801	R726701
11	Seat Seal Assembly	R650001	R650002
12	Seat Seal Screw	R544101	R544101

VALVES

311A SERIES ELECTRIC ANTI-SIPHON

MODEL NUMBERS:

- 311A-.75
- 311A-1



311A-.75/1

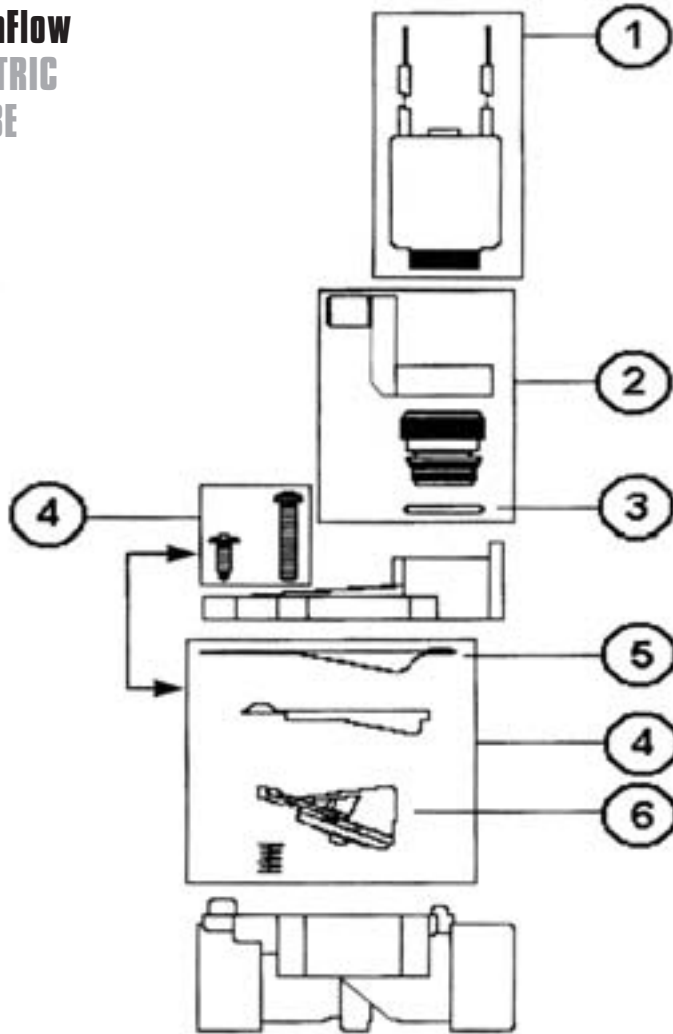
REF.#	DESCRIPTION	PART NO.
1	Solenoid Assembly, 24 VAC, 60 Hz	R811-24VACG
1	Solenoid Assembly, 24 VAC, 50 Hz	588403
2	Manual Bleed Assembly	R606902
3	O-Ring	R1631
4	Metering Rod Assembly	R-2025
5	Flow Adjustment Assembly	R2862-1
6	O-Ring	R688701
7	Bonnet Assembly	R933601
8	O-Ring	R1054
9	Diaphragm Stem Assembly (includes Ref. Nos.# 8)	R726901
10	O-Ring	R726701
11	Seat Seal Assembly	R650002
12	Seat Seal Screw	R544101
13	Anti-siphon Cover Assembly	R728001
14	O-Ring	R2797
15	Stem Assembly	R727901

VALVES

700 SERIES UltraFlow ELECTRIC GLOBE

MODEL NUMBERS:

- 700B-.75



700B-.75

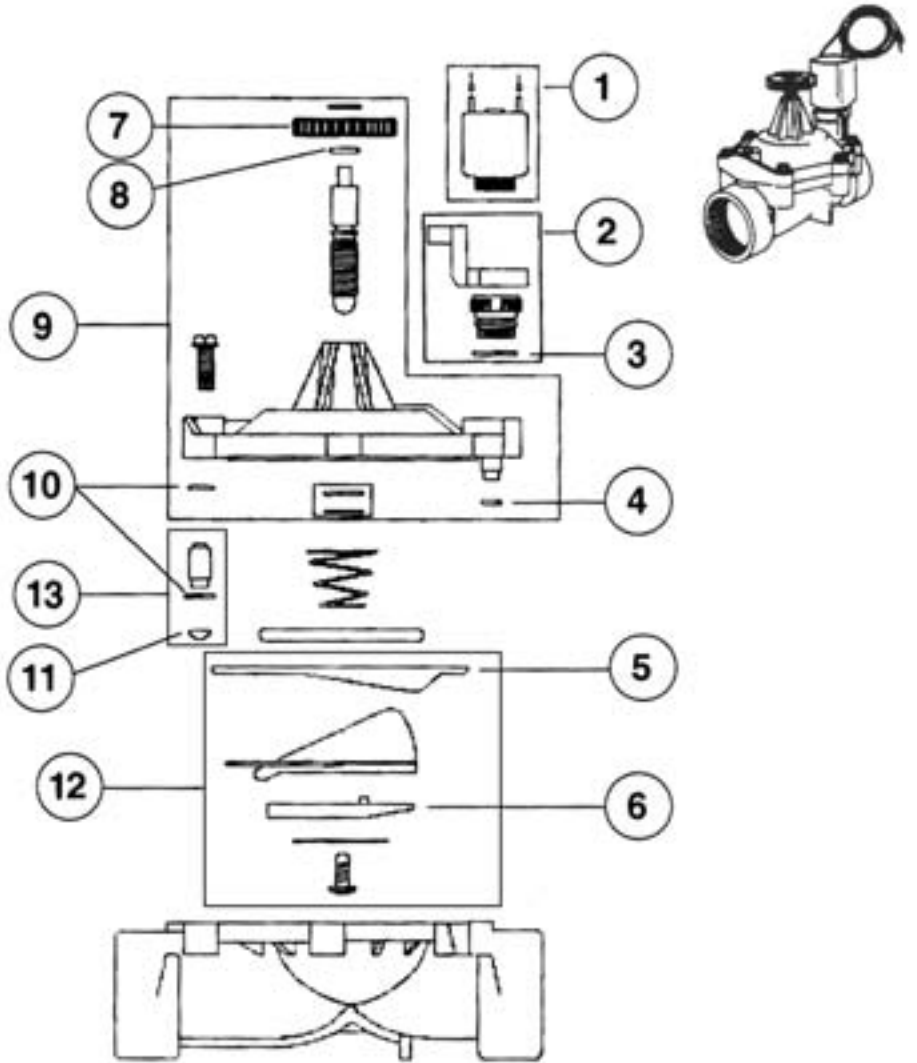
REF.#	DESCRIPTION	PART NO.
1	Solenoid Assembly, 24 VAC, 60 Hz	R811-24VACG
1	Solenoid Assembly, 24 VAC, 50 Hz	588403
2	Manual Bleed Assembly	R606902
3	O-Ring	R1631
4	Repair Kit (includes screws)	SPK-700B-.75
5	Diaphragm	R2026
6	Seat Seal Assembly	R1018101

VALVES

700 SERIES UltraFlow ELECTRIC GLOBE

MODEL NUMBERS:

- 700-1
- 700-1.5
- 700-2



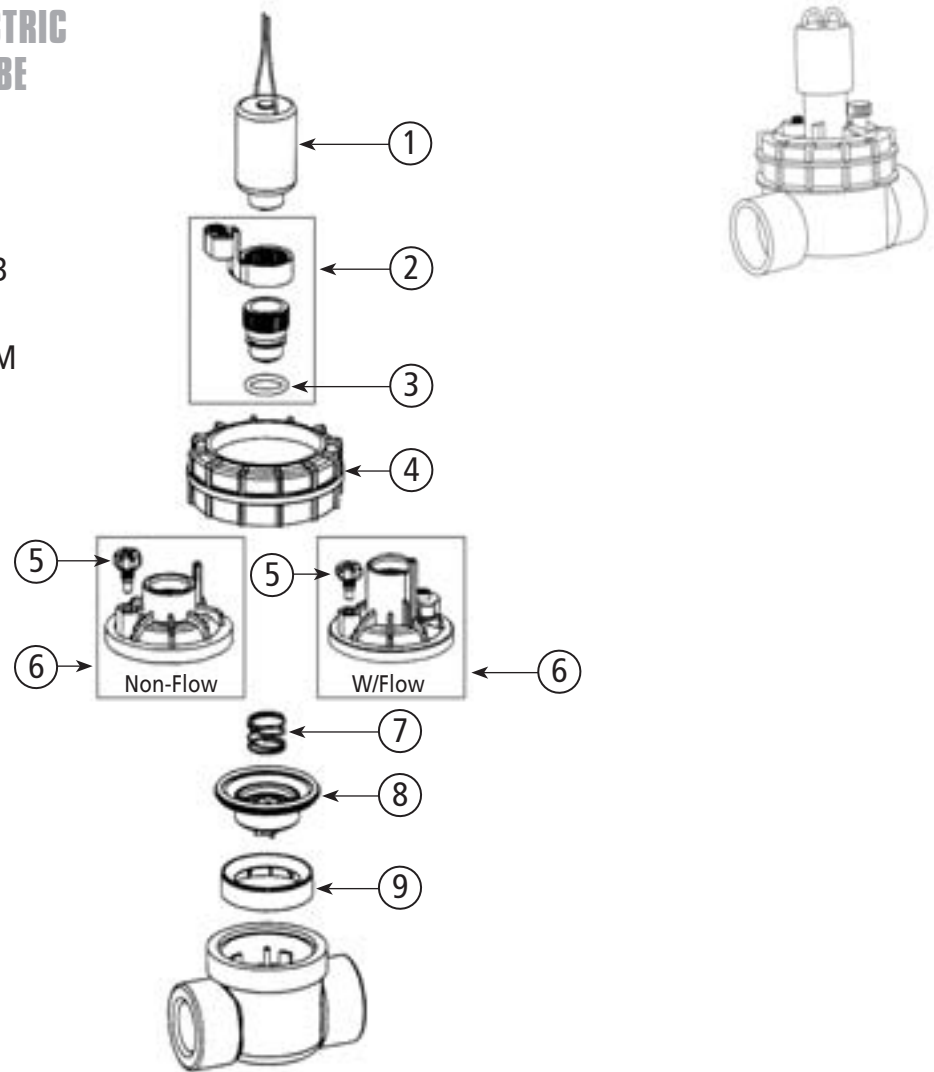
REF.#	DESCRIPTION	700-1 PART NO.	700-1.5 PART NO.	700-2 PART NO.
1	Solenoid Assembly, 24 VAC, 60 Hz	R811-24VACG	R811-24VACG	R811-24VACG
1	Solenoid Assembly, 24 VAC, 50 Hz	588403	588403	588403
2	Manual Bleed Assembly	R606902	R606902	R606902
3	O-Ring	R1631	R1631	R1631
4	O-Ring	R10153	R10153	R1054
5	Diaphragm	R2357	R2383	R1869
6	Seat Seal	R2349	R2376	R1874
7	Flow Control Knob	R1019901	R1027701	R1995
8	O-Ring	R2509	R1054	R2863
9	Bonnet Assembly	R691901	R691701	R691801
10	O-Ring	R2509	R1054	R2863
11	Filter Screen	R2360	R2386	R2655
12	Repair Kit (Includes Ref.# 3, 4, 12, 13 & 14)	SPK-700-1	SPK-700-1.5	SPK-700-2

VALVES

2400 SERIES ELECTRIC GLOBE

MODEL NUMBERS:

- 2400S • 2400T-B
- 2400SF • 2400TF-B
- 2400T • 2400T-M
- 2400TF • 2400TF-M



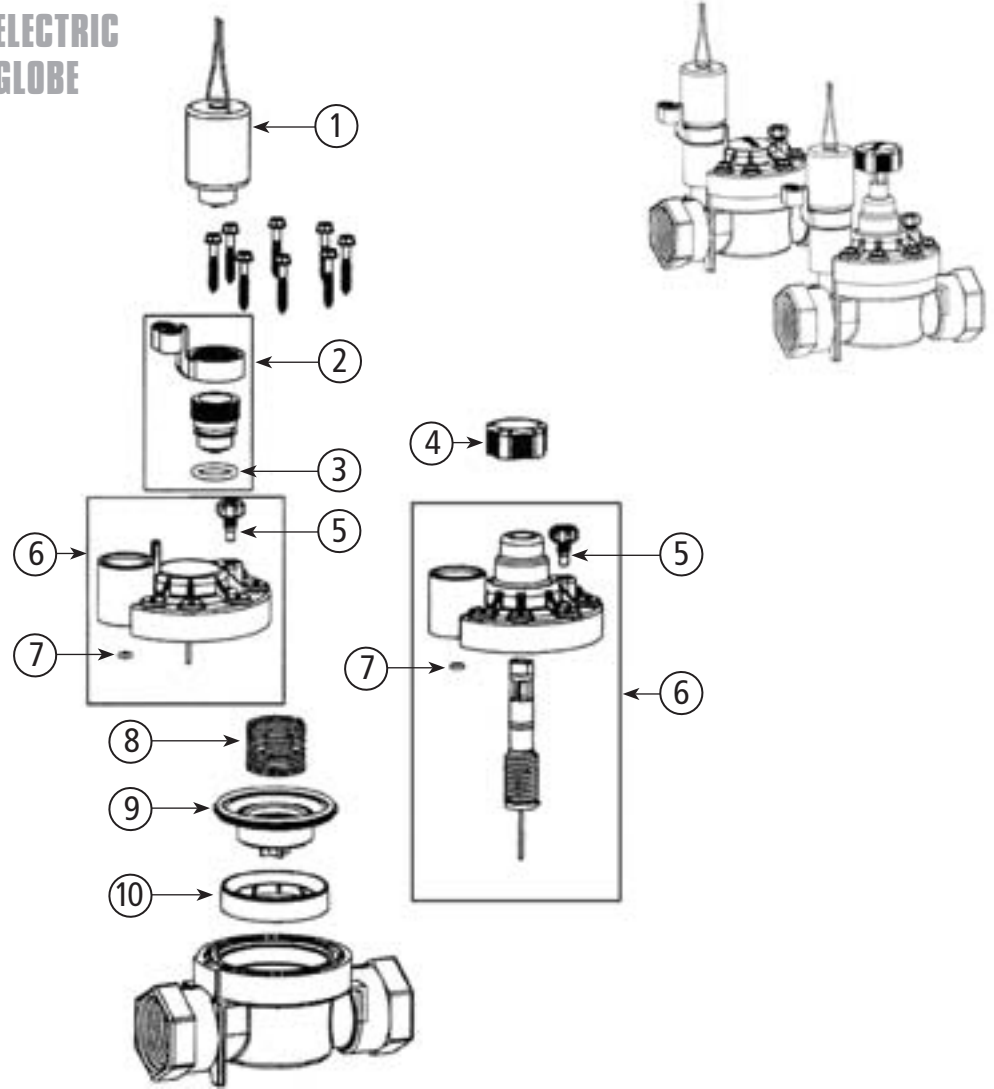
REF.#	DESCRIPTION	2400 SERIES (NON-FLOW)		2400 SERIES (W/FLOW)	
		PART NO.	PART NO.	PART NO.	PART NO.
1	Solenoid Assembly, 24 VAC, 60 Hz	R811-24VACG		R811-24VACG	
1	Solenoid Assembly, 24 VAC, 50 Hz	588403		588403	
2	Manual Bleed Assembly	R606902		R606902	
3	O-Ring	R1631		R1631	
4	Nut Cap	549101		549101	
5	Bleed Screw	100229		100229	
6	Cover Assembly	534901		534801	
7	Spring	100235		100235	
8	Diaphragm	100236		100236	
9	Divider	100237-H		100237-H	

VALVES

2500 SERIES ELECTRIC GLOBE

MODEL NUMBERS:

- 2500S
- 2500T
- 2500SF
- 2500TF



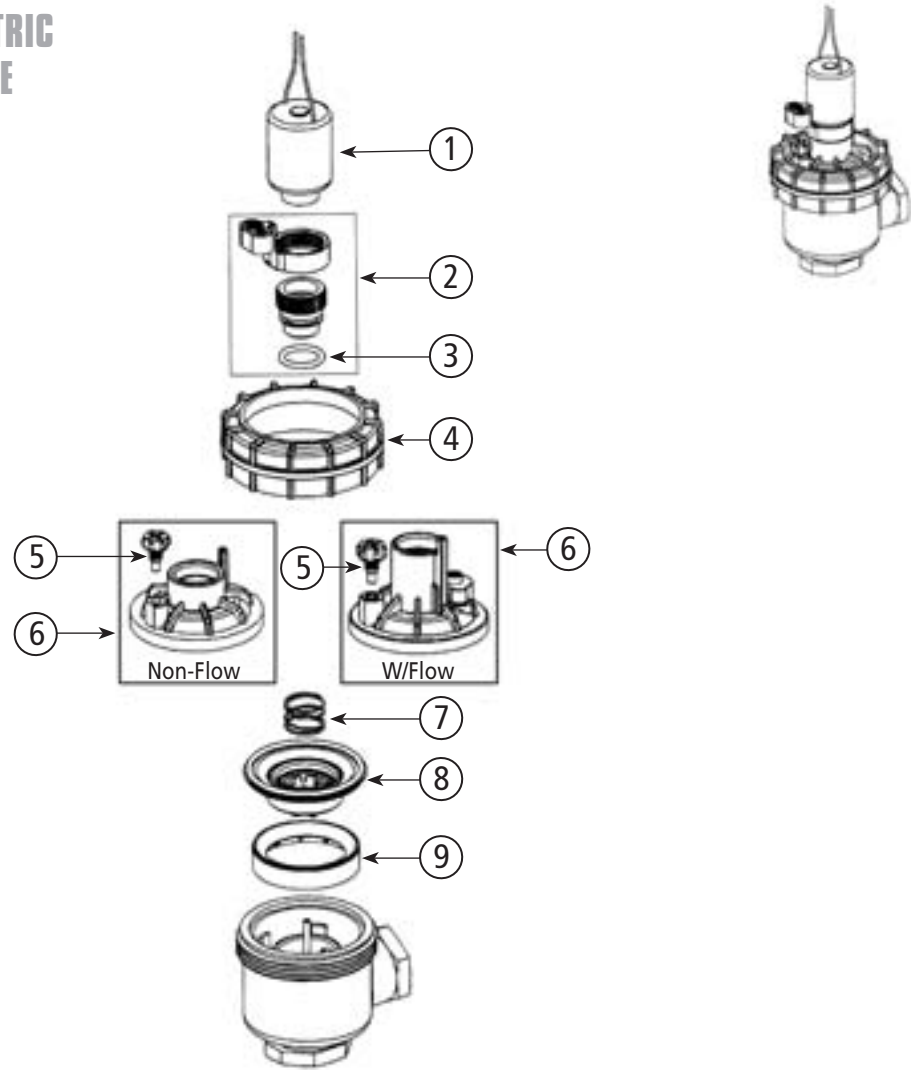
REF.#	DESCRIPTION	2500S / 2500T PART NO.	2500SF / 2500TF PART NO.
1	Solenoid Assembly, 24 VAC, 60 Hz	R811-24VACG	R811-24VACG
1	Solenoid Assembly, 24 VAC, 50 Hz	588403	588403
2	Manual Bleed Assembly	R606902	R606902
3	O-Ring	R1631	R1631
4	Flow Adjust Knob	-----	835603
5	Bleed Screw	100229	100229
6	Cover Assembly	R1080901	R1074601
7	O-Ring	121001	121001
8	Spring	R153201	R153201
9	Diaphragm Assembly	539001	539001
10	Divider	100237-H	100237-H

VALVES

2600 SERIES ELECTRIC ANGLE

MODEL NUMBERS:

- 2600T
- 2600TF



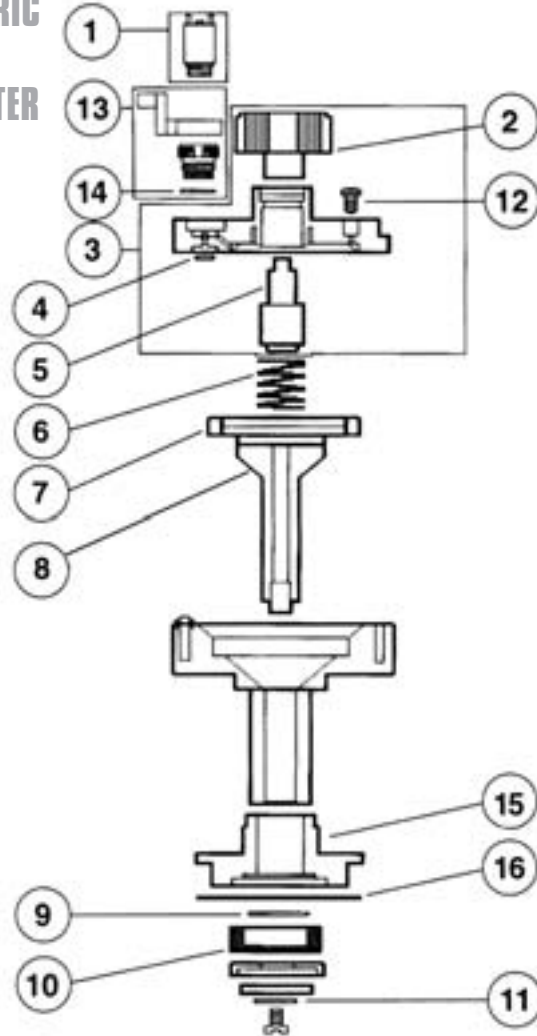
REF.#	DESCRIPTION	2600T PART NO.	2600TF PART NO.
1	Solenoid Assembly, 24 VAC, 60 Hz	R811-24VACG	R811-24VACG
1	Solenoid Assembly, 24 VAC, 50 Hz	588403	588403
2	Manual Bleed Assembly	R606902	R606902
3	O-Ring	R1631	R1631
4	Nut Cap	549101	549101
5	Bleed Screw	100229	100229
6	Cover Assembly	534901	534801
7	Spring	100235	100235
8	Diaphragm Assembly	100236	100236
9	Divider	100237-H	100237-H

VALVES

2623DPR SERIES ELECTRIC VALVE ADAPTER

MODEL NUMBERS:

- 2623DPR-.75
- 2623DPR-1



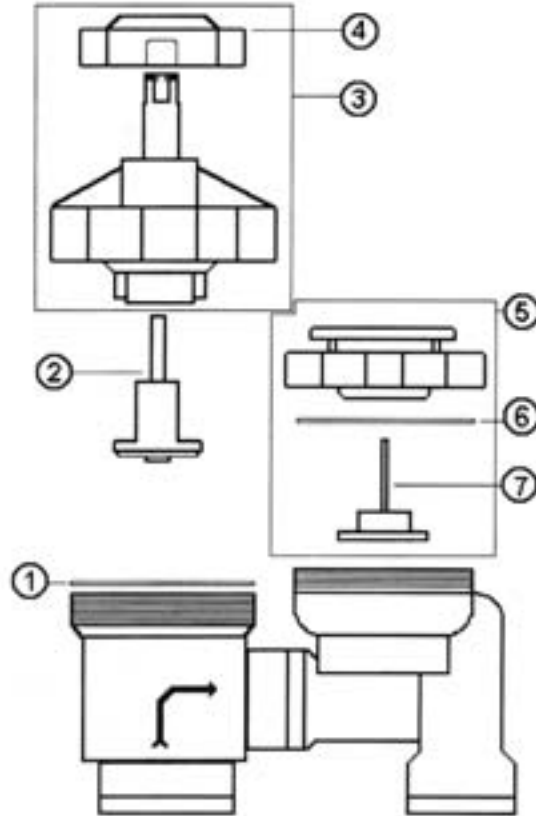
REF.#	DESCRIPTION	2623DPR-.75	2623DPR-1
		PART NO.	PART NO.
1	Solenoid Assembly, 24 VAC, 60 Hz	R811-24VACG	R811-24VACG
1	Solenoid Assembly, 24 VAC, 50 Hz	588403	588403
2	Flow Adjust Knob	100227-H	100227-H
3	Cover Assembly	636201	636201
4	O-Ring	121001	121001
5	Flow Adjustment Assembly	148201	148201
6	Spring	R153201	R153201
7	Diaphragm Kit	149601	149601
8	Diaphragm Stem Assembly	636302	573601
9	O-Ring	R725401	R725401
10	Retainer Nut	102-2033	102-2033
11	Bib Washer	156001	156201
12	Bleed Screw	100229	100229
13	Manual Bleed Assembly	R606902	R606902
14	O-Ring	R1631	R1631
15	GEE Adapter Nut	846001	845701
16	Gasket, Nut	623-27	623-26

VALVES

2700 SERIES MANUAL ANTI-SIPHON

MODEL NUMBERS:

- 2706PR
- 2709PR



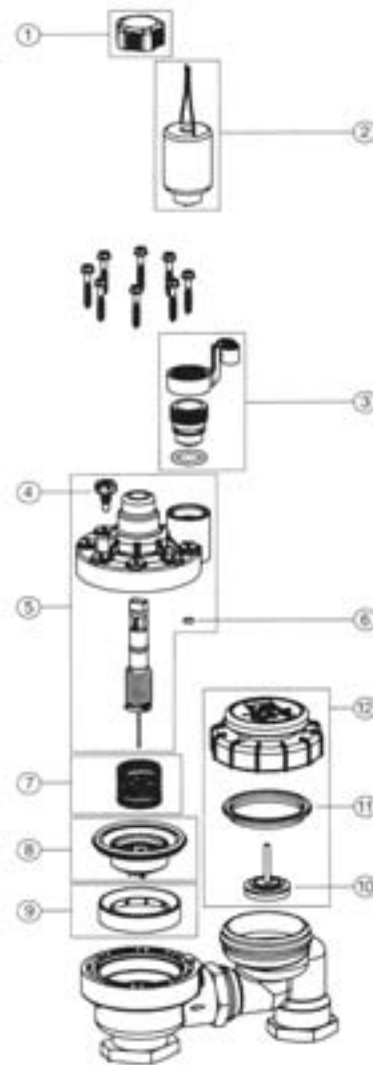
REF.#	DESCRIPTION	2706PR PART NO.	2709PR PART NO.
1	O-Ring	147701	147701
2	Bib Washer Assembly	147101-H	147301
3	Cover Assembly	147501-H	147501-H
4	Flow Adjustment Knob	R704-27	R704-27
5	Anti-siphon Cover Assembly	R217104	R519108
6	O-Ring	100241	100233
7	Stem Assembly	100246	100234-H

VALVES

2700 SERIES ELECTRIC ANTI-SIPHON

MODEL NUMBERS:

- 2711APR
- 2713APR



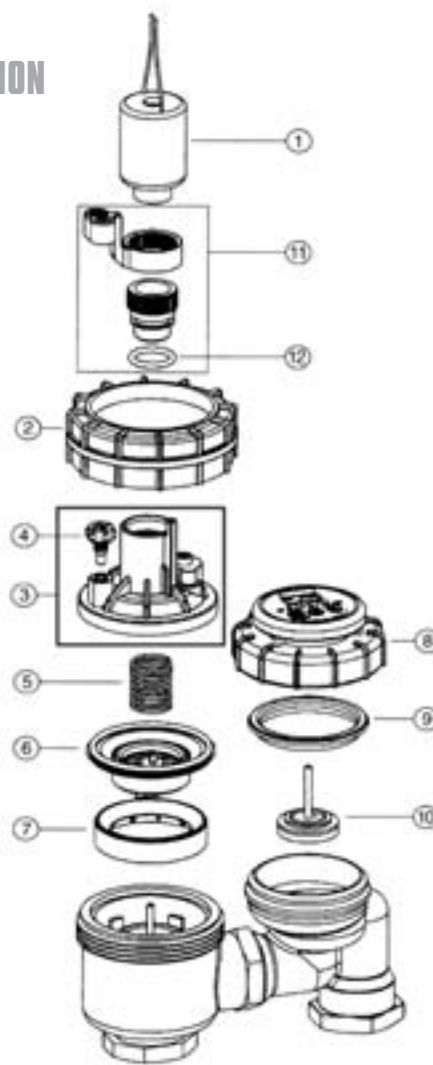
REF.#	DESCRIPTION	2711APR PART NO.	2713APR PART NO.
1	Knob	835603	835603
2	Solenoid Assembly, 24 VAC, 60 Hz	R811-24VACG	R811-24VACG
2	Solenoid Assembly, 24 VAC, 50 Hz	588403	588403
3	Manual Bleed Assembly	R606902	R606902
4	Bleed Screw	100229	100229
5	Cover Assembly	R1074601	R1074601
6	O-Ring	121001	121001
7	Spring	R153201	R153201
8	Diaphragm Assembly	539001	539001
9	Divider	100237-H	100237-H
10	Stem Assembly	100246	100234-H
11	O-Ring (Anti-siphon)	100241	100233
12	Anti-siphon Cover Assembly	R217104	R519108

VALVES

2700 SERIES ELECTRIC ANTI-SIPHON

MODEL NUMBERS:

- 2711DPR
- 2713DPR



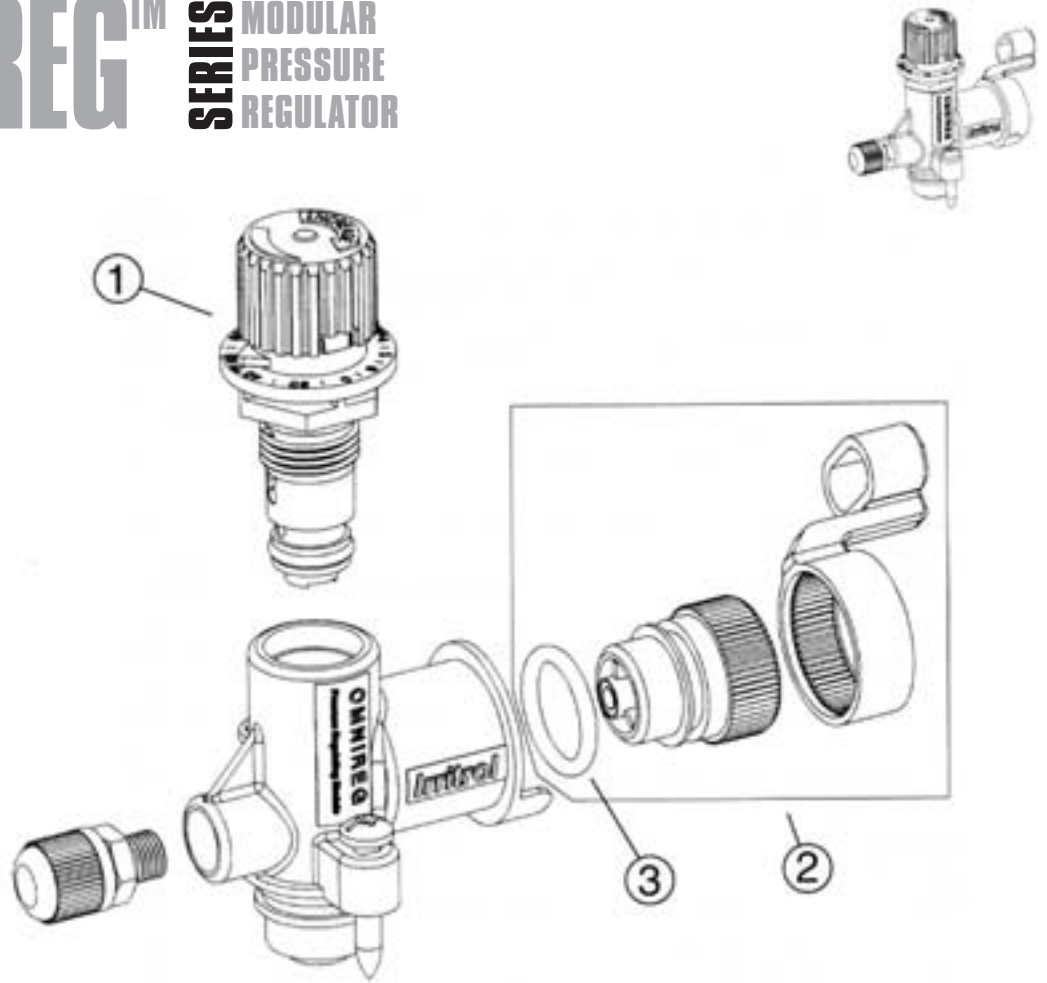
REF.#	DESCRIPTION	2711DPR PART NO.	2713DPR PART NO.
1	Solenoid Assembly, 24 VAC, 60 Hz	R811-24VACG	R811-24VACG
1	Solenoid Assembly, 24 VAC, 50 Hz	588403	588403
2	Nut Cap	549101	549101
3	Cover Assembly Flow Adjust	534801	534801
4	Bleed Screw	100229	100229
5	Spring	100235	100235
6	Diaphragm Assembly	100236	100236
7	Divider	100237-H	100237-H
8	Anti-siphon Cover Assembly	R217104	R519108
9	O-Ring (Anti-siphon)	100241	100233
10	Stem Assembly	100246	100234-H
11	Manual Bleed Assembly	R606902	R606902
12	O-Ring	R1631	R1631

VALVES

OMNIREG™ SERIES MODULAR PRESSURE REGULATOR

MODEL NUMBERS:

- OMR-30
- OMR-100



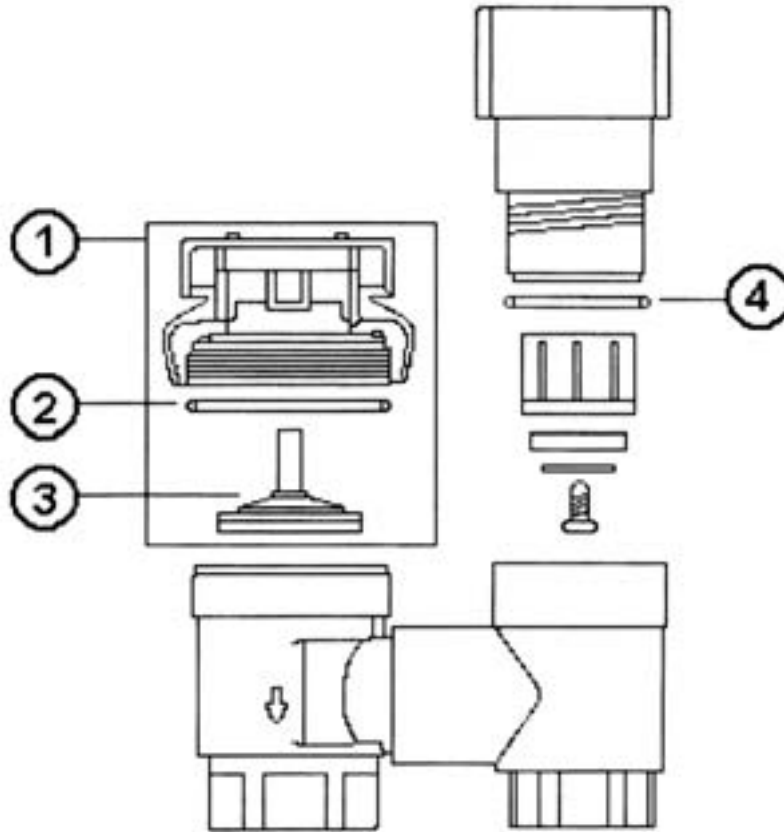
REF.#	DESCRIPTION	OMR-30 PART NO.	OMR-100 PART NO.
1	Module	R832502	R832501
2	Bleed Plug, O-Ring and Handle Assembly	R606902	R606902
3	O-Ring	R1631	R1631

VALVES (DISCONTINUED)

300 SERIES ELECTRIC ANTI-SIPHON

MODEL NUMBERS:

- 305-.75
- 305.1



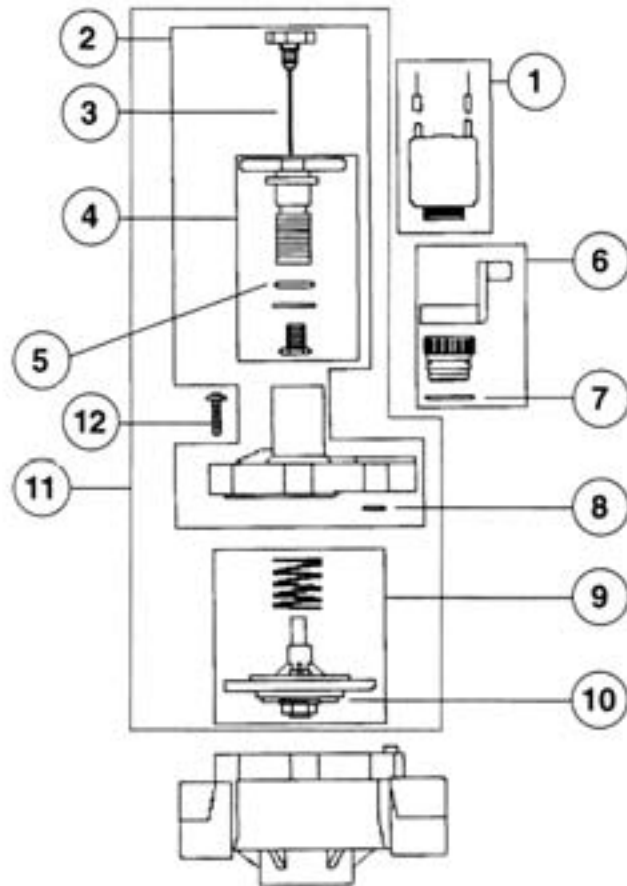
REF.#	DESCRIPTION	305-.75 PART NO.	305-1 PART NO.
1	Anti-siphon Cover Assembly	R728001	R728001
2	O-Ring	R2797	R2797
3	Stem Assembly	R727901	R727901
4	O-Ring	R726801	R726701

VALVES (DISCONTINUED)

CENTURY SERIES ELECTRIC GLOBE/ANGLE

MODEL NUMBERS:

- 100-1
- 100-1.5
- 100-2
- 100-3



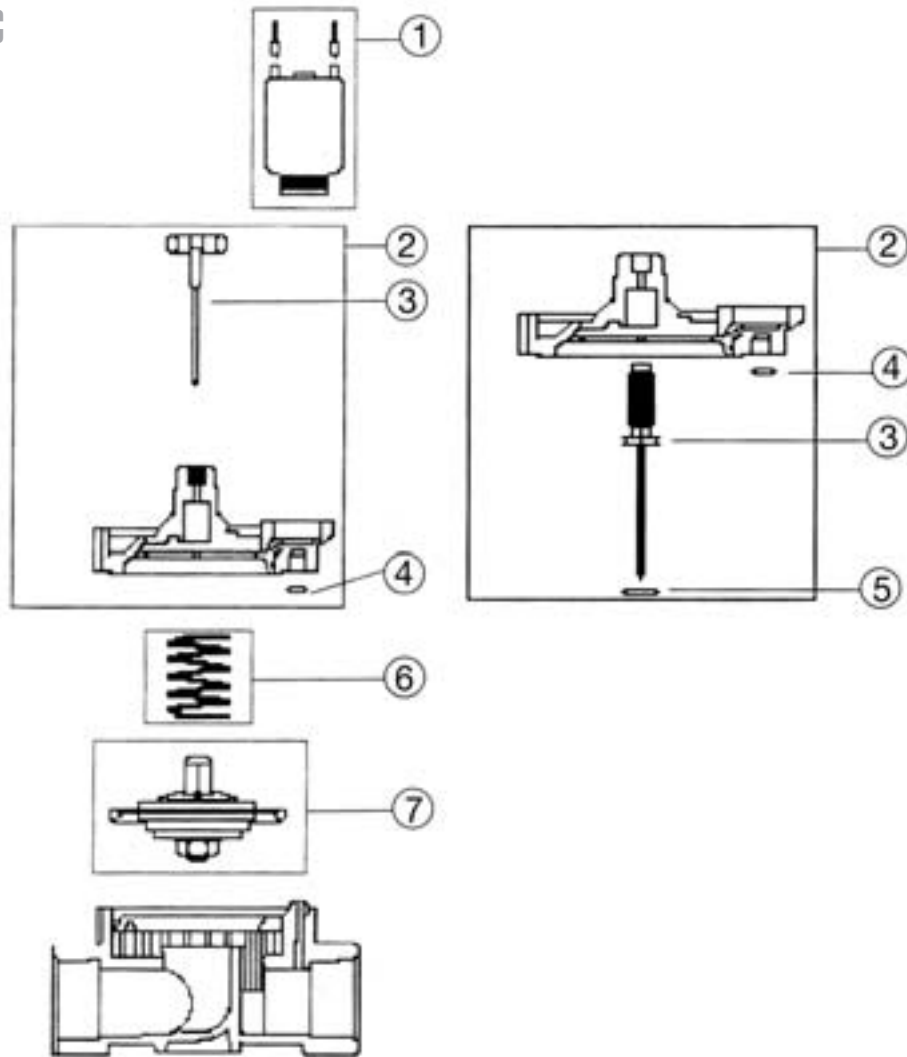
REF.#	DESCRIPTION	100-1 PART NO.	100-1.5 PART NO.	100-2 PART NO.	100-3 PART NO.
1	Solenoid Assembly, 24 VAC, 60 Hz	R811-24VACG	R811-24VACG	R811-24VACG	R811-24VACG
1	Solenoid Assembly, 24 VAC, 50 Hz	588403	588403	588403	588403
2	Bonnet Assembly	R-2001-H	R-2001-H	R-2006	R-2006
3	Metering Rod Assembly	R-1552	R-1552	R-1552	R-1552
4	Stem Assembly	R2862-1	R2862-1	R-1032	R-1032
5	O-Ring	R688701	R688701	R688701	R688701
6	Manual Bleed Assembly	R606902	R606902	R606902	R606902
7	O-Ring	R1631	R1631	R1631	R1631
8	O-Ring	R1054	R1054	R1054	R1054
9	Diaphragm Assembly	R-1308	R-1310	R-1312	R-1314
10	Seat Seal	-----	-----	R1058	R1059
11	Repair Kit (Includes Ref.# 5, 7, 8, 9 & 12)	SPK-100-1	SPK-100-1.5	SPK-100-2	SPK-100-3
12	Retro Kit Screws (100)	R739001	R739001	R739001	R739001

VALVES (DISCONTINUED)

HR1 SERIES ELECTRIC GLOBE

MODEL NUMBERS: (DISCONTINUED SERIES)

- HR1-S
- HR1-T
- HR1-SF
- HR1-TF



REF.#	DESCRIPTION	HR1-S / HR1-T	HR1-SF / HR1-TF
		PART NO.	PART NO.
1	Solenoid Assembly, 24 VAC, 60 Hz	R811-24VACG	R811-24VACG
1	Solenoid Assembly, 24 VAC, 50 Hz	588403	588403
2	Cover Assembly	R719901	R719801
3	Metering Rod & Bleed	R1806	R2813
4	O-Ring	R1054	R1054
5	O-Ring	-----	R1222
6	Spring	R-H1040	R-H1040
7	Diaphragm Assembly	R1359	R1359
	Repair Kit (Includes Ref.# 3[Non-Flow], 4 & 7)	SPK-HR1	SPK-HR1

VALVE ACCESSORIES

DESCRIPTION	PART NO.
Mini Valve Body	141201
Solenoid Conduit Cover	811-20
Conversion Kit, Hydraulic Valve	HVC-KIT
Manual Bleed Adapter, 711 & 713 Series Valve	R1572
Regulator Assembly Kit, 30 PSI, AG, Century Series Valve	R688601
Regulator Assembly Kit, 100 PSI, Century Series Valve	R688602
Solenoid Kit, Reclaimed Water	RW60-KIT
Pressure Gauge Kit, 100 PSI	SPK-100
24 VDC Solenoid Assembly	R576804
24 VAC Solenoid Assembly, 60 Hz	R811-24VACG
DC Latching Solenoid	DCL
Cap Nut Tool, 2400 & 2600 Series	2400-45