

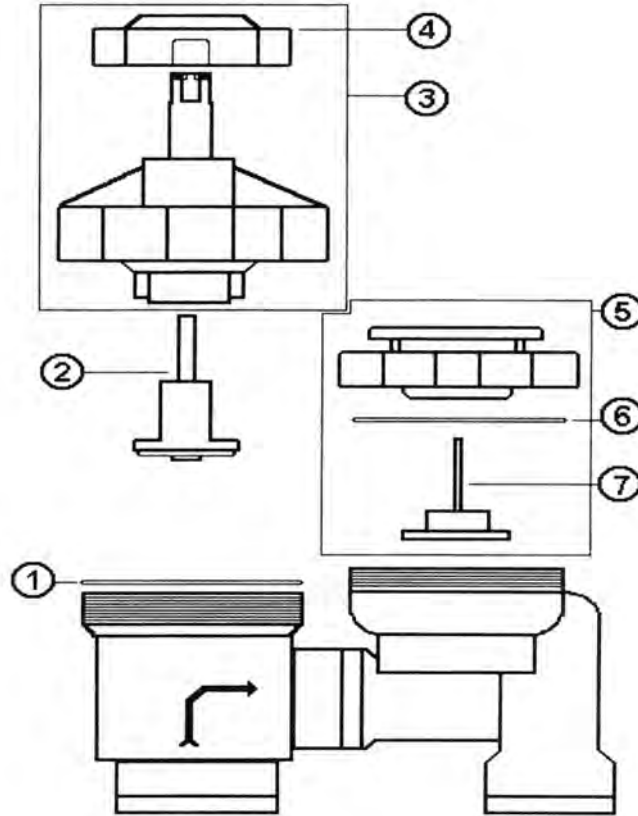
VALVES

2700

SERIES MANUAL ANTI-SIPHON

MODEL NUMBERS:

- 2706PR
- 2709PR



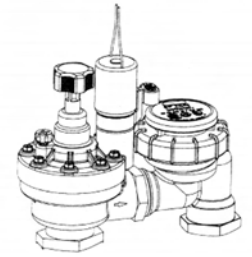
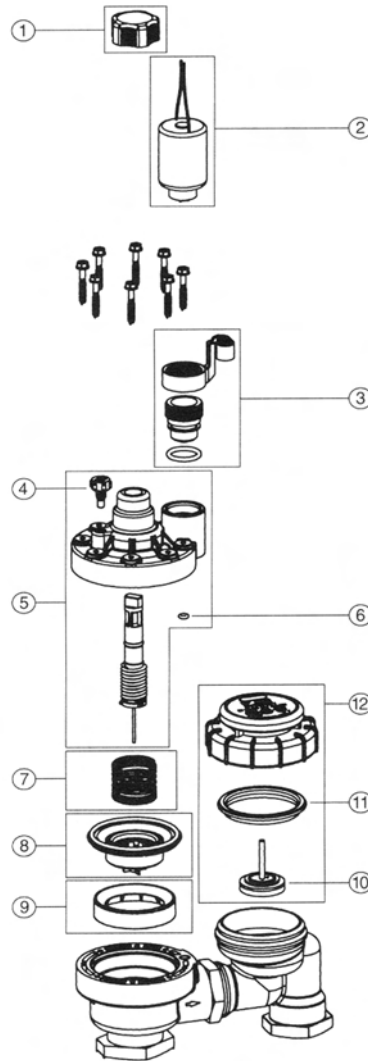
REF.#	DESCRIPTION	2706PR	2709PR
		PART NUMBERS	PART NUMBERS
1	O-Ring	147701	147701
2	Bib Washer Assembly	147101-H	147301
3	Cover Assembly	147501-H	147501-H
4	Flow Adjustment Knob	R704-27	R704-27
5	Anti-siphon Cover Assembly	R217104	R519108
6	O-Ring	100241	100233
7	Stem Assembly	100246	100234-H

VALVES

2700 SERIES ELECTRIC ANTI-SIPHON

MODEL NUMBERS:

- 2711APR
- 2713APR



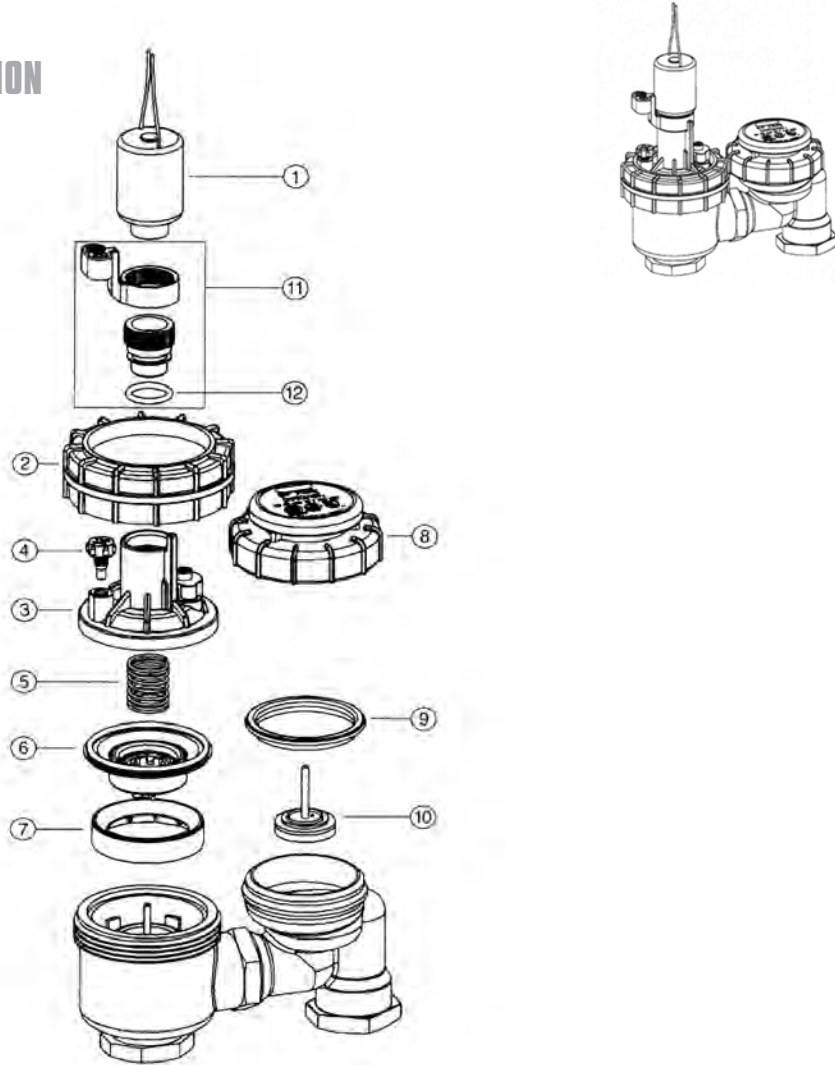
REF.#	DESCRIPTION	2711APR PART NUMBERS	2713APR PART NUMBERS
1	Knob	835603	835603
2	Solenoid Assembly, 24 VAC, 60 Hz	R811-24VACG	R811-24VACG
2	Solenoid Assembly, 24 VAC, 50 Hz	588403	588403
3	Manual Bleed Assembly	R606902	R606902
4	Bleed Screw	100229	100229
5	Cover Assembly	R1074601	R1074601
6	O-Ring	121001	121001
7	Spring	R153201	R153201
8	Diaphragm Assembly	539001	539001
9	Divider	100237-H	100237-H
10	Stem Assembly	100246	100234-H
11	O-Ring (Anti-siphon)	100241	100233
12	Anti-siphon Cover Assembly	R217104	R519108

VALVES

2700 SERIES ELECTRIC ANTI-SIPHON

MODEL NUMBERS:

- 2711DPR
- 2713DPR



REF.#	DESCRIPTION	2711DPR	2713DPR
		PART NUMBERS	PART NUMBERS
1	Solenoid Assembly, 24 VAC, 60 Hz	R811-24VACG	R811-24VACG
1	Solenoid Assembly, 24 VAC, 50 Hz	588403	588403
2	Nut Cap	549101	549101
3	Cover Assembly Flow Adjust	534801	534801
4	Bleed Screw	100229	100229
5	Spring	100235	100235
6	Diaphragm Assembly	100236	100236
7	Divider	100237-H	100237-H
8	Anti-siphon Cover Assembly	R217104	R519108
9	O-Ring (Anti-siphon)	100241	100233
10	Stem Assembly	100246	100234-H
11	Manual Bleed Assembly	R606902	R606902
12	O-Ring	R1631	R1631