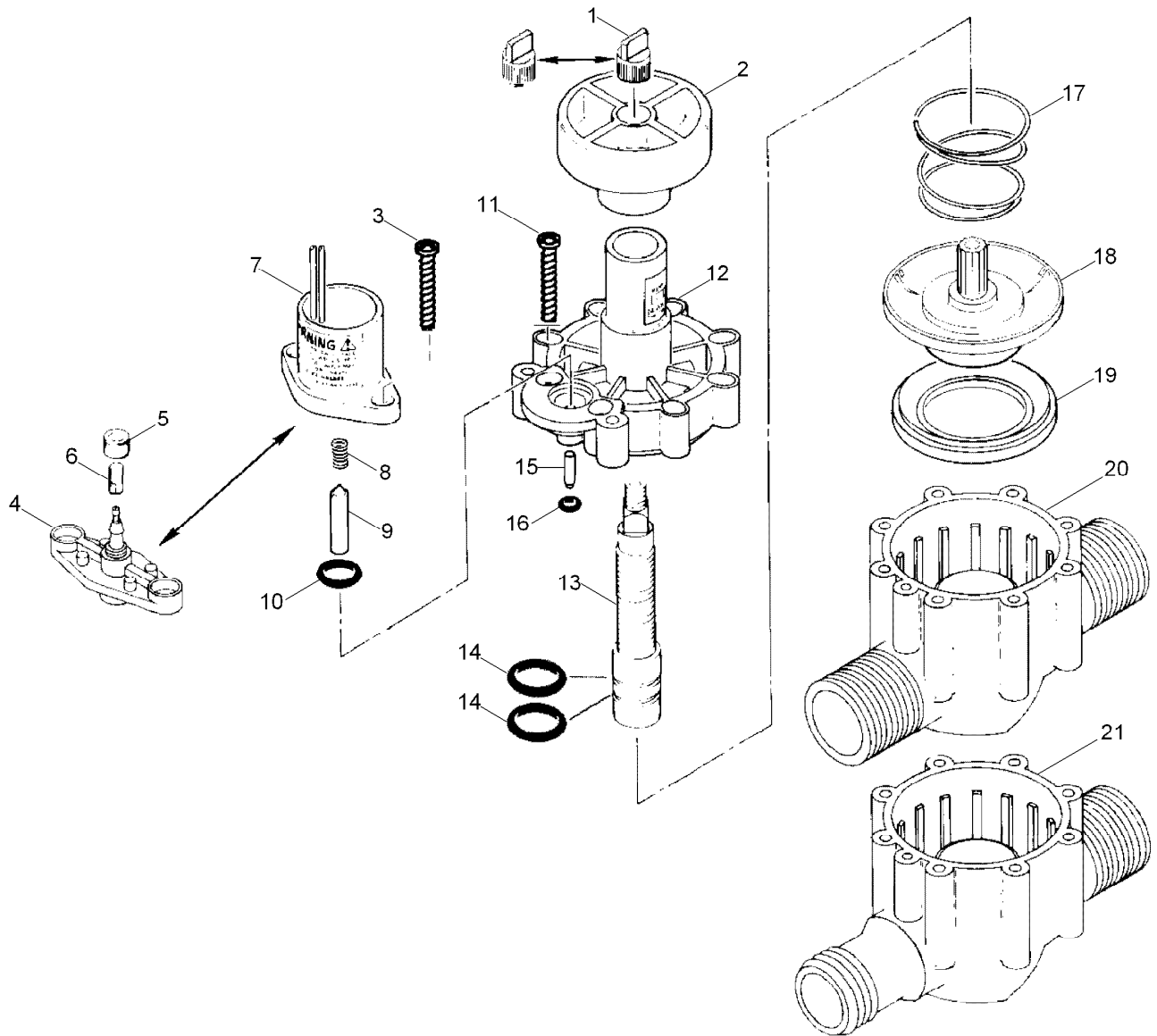


254 Series, 1 Inch Valves



254 Series, 1 Inch Valves (continued)

| <i>Ref.</i> | <i>Part Number</i> | <i>Qty.</i> | <i>Description</i> | <i>Ref.</i> | <i>Part Number</i> | <i>Qty.</i> | <i>Description</i> |
|-------------|--------------------|-------------|---|-------------|--------------------|-------------|--|
| 1 | 35-4521 | 1 | Bleed Cap ASM, W/ Pin, El, Fast Closing | 15 | 3-2016 | 1 | Shaft, Idler, Lower, No And Pt |
| 1 | 35-1748 | 1 | Bleed Cap ASM, W/O Pin, No And Pt | 16 | 1-2035 | 1 | O-Ring, El, Pr And Cr (0.070" X 0.114" X 0.254") (As568-006) |
| 2 | 35-3777 | 1 | Knob, Handle, Cross | 17 | 9-7110 | 1 | Spring, Diaphragm, El And No |
| 3 | 363-1493 | 2 | Screw, #10 X 1 | 18 | 35-2943 | 1 | Diaphragm Assy., 1", No Hyd |
| 4 | 35-3776 | 1 | Adapter Assy., No | 18 | 35-2824 | 1 | Diaphragm ASM, 1", El |
| 5 | 900-40 | 1 | Retainer, Tube, Pr And Cr ♦ | 19 | 9-6331 | 1 | Support, Diaphragm |
| 6 | 89-8157 | 1 | Cap, 1/4", Poly, No | 20 | 9-8311 | 1 | Body, M X M, 1", Npt |
| 7 | | 1 | Solenoid Assy., El (See Service Item 89-0878) ▲ | 21 | | 1 | Body Assy., M X B, 1" ▲ |
| 8 | 9-6148 | 1 | Spring-Plunger, Solenoid, El | | 89-0878 | | Solenoid And Plunger Assy., El (Include Items 7-9) ●■ |
| 9 | 9-6527 | 1 | Plunger Assy., El | | 35-0767 | | Cap Assy., W/Flow Control, No (Includes Items 12-14) ●■ |
| 10 | 2-9652 | 1 | O-Ring, 7/16" X 5/8", No (As568-111) | | 35-9346 | | Bleed Cap ASM, W/Pin, Slow-Closing ●■ |
| 11 | 363-4007 | 8 | Screw, #10 X 1.25" | | 9-8182 | | Cap, Valve, W/Fc, El (Includes Items 12-14) ●■ |
| 12 | | 1 | Cap, Valve, W/Fc, El, Fast-Closing ▲ | | | | |
| 12 | | 1 | Cap Assy. W/Fc, No ▲ | | | | |
| 13 | 35-1983 | 1 | Stem-Flow Control | | | | |
| 14 | 360-0220 | 2 | O-Ring (0.070 X 0.551 X 0.691) (As568-015) | | | | |

● SERVICE ITEMS

▲ Not serviced separately

♦ Order Through Finished Goods Distribution System - Minneapolis

■ Not illustrated