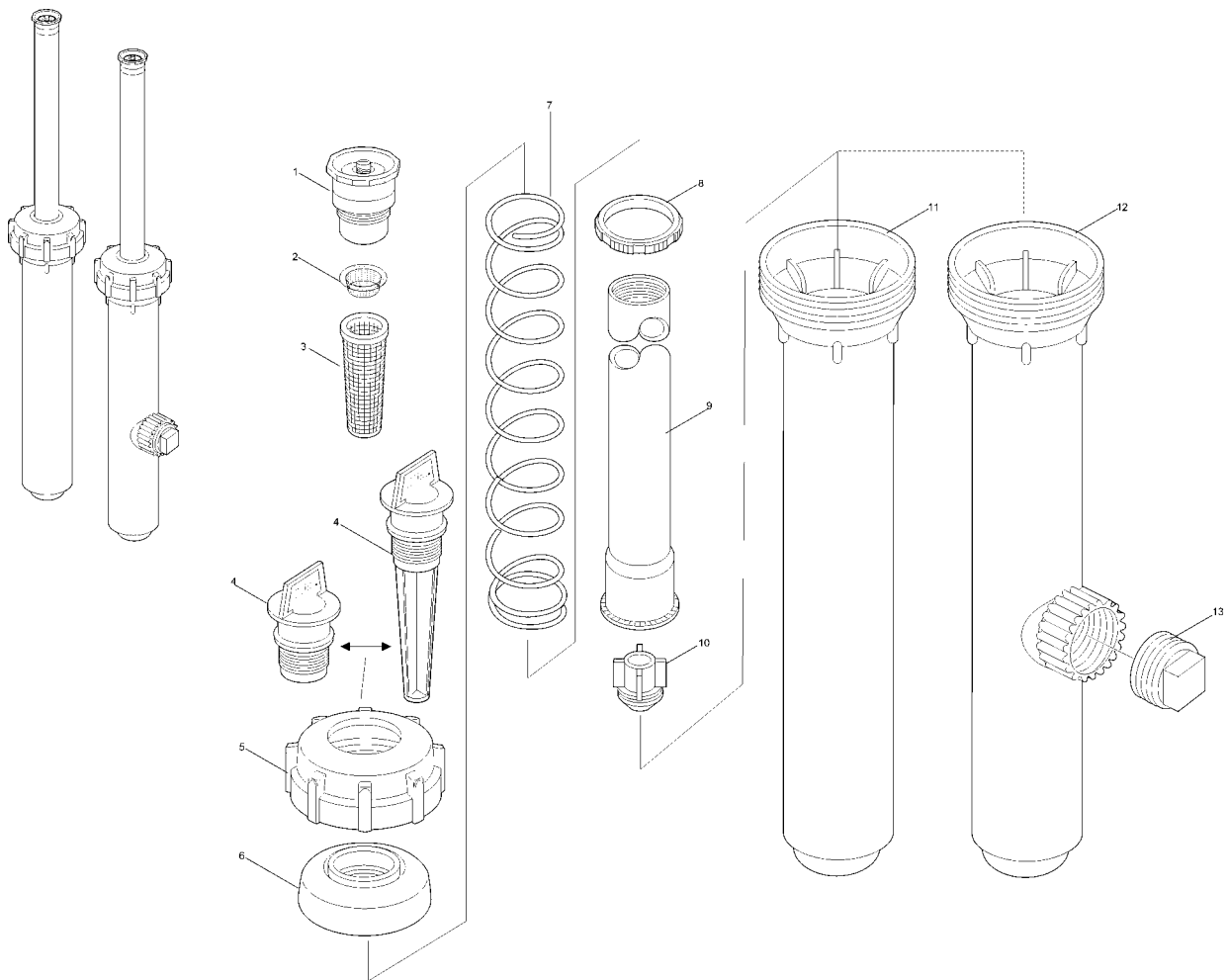


## 570Z 2-4

Ref.	Part Number	Qty.	Description	Ref.	Part Number	Qty.	Description
1		1	Nozzle ▲ ◆	9	89-0969	1	Riser, 4"
2	89-5548	1	Screen, Filter, Sst	10	570CV	1	One Piece Check Valve, White
3	9-5112	1	Screen, Riser, White, Plastic, Regular Mesh	11	89-5641	1	Body, 2P
3	89-8738	1	Screen, Riser, Red, Plastic, Fine Mesh	11	89-0966	1	Body, 3P
4	102-2178	1	Flush Cap	11	89-0968	1	Body, 4"
4	102-0621	1	Flush Plug, Prx & Xf		89-3997		Cap Assy. (Includes Items 5 & 6) ● ■
5	89-3747	1	Cap, 570		102-1211		Cap, Lavender (Includes Items 5 & 6) ● ■
5	102-1211	1	Cap And Seal, Lavender (Includes Items 5 And 6)		102-0971		Prx Riser Assy., 4P (Includes Items 4 & 9) ● ■
6	570SEAL	1	Seal, Cap, White		102-0973		Prx Riser Assy., 4P, Com (Includes Items 4, 9 & 10) ● ■
7	89-5640	1	Spring, 570-2LP		102-3994		Xf Riser Assy., 4P (Includes Items 4 & 9) ● ■
7	89-5920	1	Spring, 570-2P, Com		102-3995		Xf Riser Assy., 4P, Com (Includes Items 4, 9 & 10) ● ■
7	35-4879	1	Spring, 570-3LP				
7	35-9631	1	Spring, 570-3P, Com				
7	35-3077	1	Spring, 570-4LP				
7	35-9632	1	Spring, 570-4P, Com				
8	89-0463	1	Ring, Ratchet				
9	89-5642	1	Riser, 2P				
9	89-0967	1	Riser, 3P				

● SERVICE ITEMS  
▲ See 570 Nozzles

■ Not illustrated  
◆ Not serviced separately



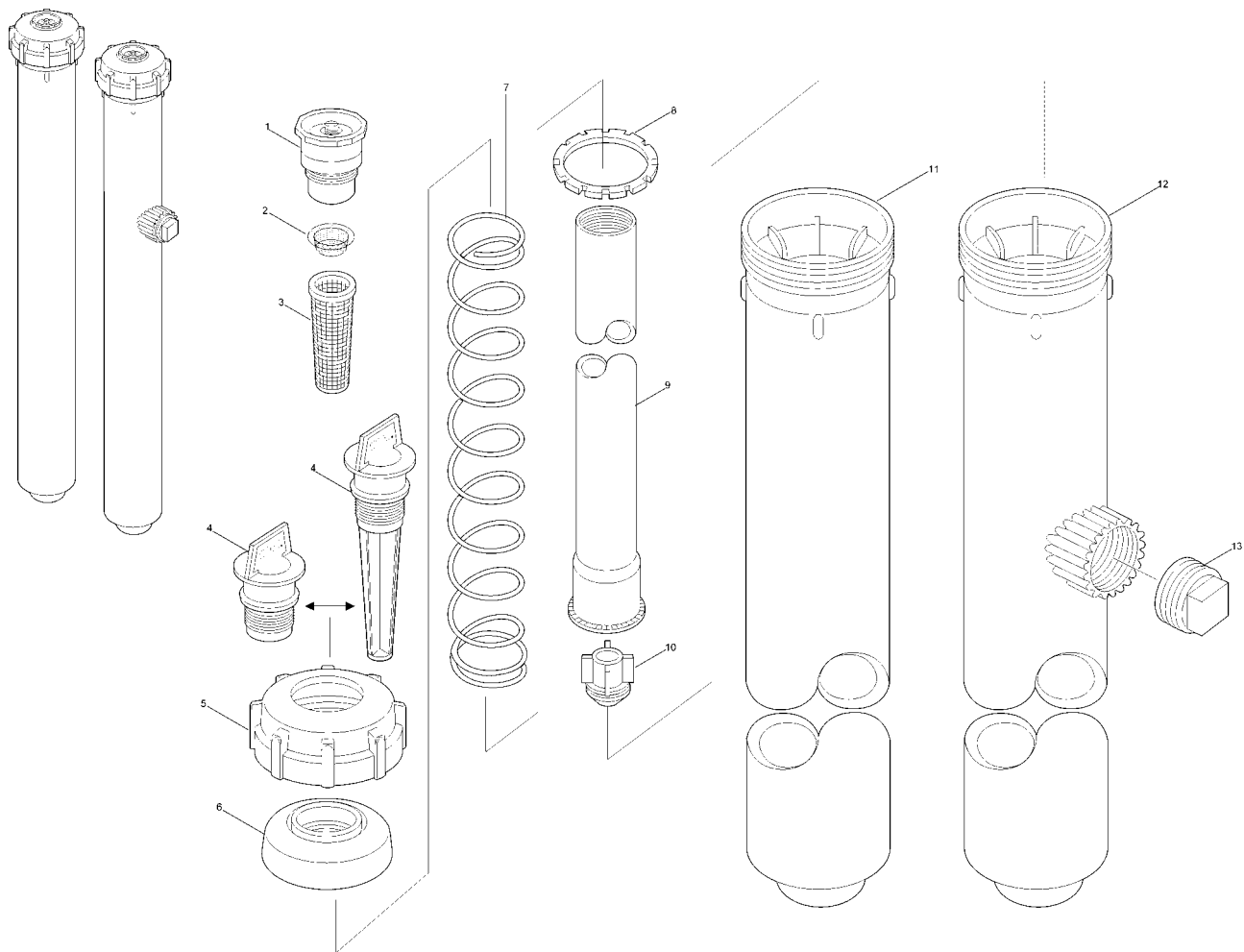
## 570Z-6

Ref.	Part Number	Qty.	Description
1		1	Nozzle ▲ ◆
2	89-5548	1	Screen, Filter, Sst
3	9-5112	1	Screen, Riser, White, Plastic, Regular Mesh
3	89-8738	1	Screen, Riser, Red, Plastic, Fine Mesh
4	102-2178	1	Flush Cap
4	102-0621	1	Flush Plug, Prx & Xf
5	89-3747	1	Cap, 570
5	102-1211	1	Cap And Seal, Lavender (Includes Items 5 And 6)
6	570SEAL	1	Seal, Cap, White
7	35-4874	1	Spring, Return, 570-6LP
7	35-9633	1	Spring, Return, 570-6P Com
8	89-0463	1	Ring, Ratchet
9	89-0856	1	Riser, 6"
10	570CV	1	One Piece Check Valve, White
11	89-0970	1	Body, 6"
12	89-0857	1	Body, 6P ,Si

Ref.	Part Number	Qty.	Description
13	363-3125	1	Plug
	89-1245		Body Assy., 6P, Si W/Plug (Includes Item 12 & 13) ● ■
	89-3997		Cap Assy. (Includes Items 5 & 6) ● ■
	89-8256		Cap Assy., Com (Includes Items 5 & 6) ● ■
	102-1211		Cap, Lavender (Includes Items 5 & 6) ● ■
	102-0972		Prx Riser Assy., 6P (Includes Items 4 & 9) ● ■
	102-0974		Prx Riser Assy., 6P, Com (Includes Items 4, 9 & 10) ● ■
	102-3996		Xf Riser Assy., 6P (Includes Items 4 & 9) ● ■
	102-3997		Xf Riser Assy., 6P, Com (Includes Items 4, 9 & 10) ● ■

● SERVICE ITEMS  
▲ See 570 Nozzles

■ Not illustrated  
◆ Not serviced separately



## 570Z-12

Ref.	Part Number	Qty.	Description	Ref.	Part Number	Qty.	Description
1		1	Nozzle ▲ ◆	11	9-7236	1	Body, 12"
2	89-5548	1	Screen, Filter, Sst	12	35-9322	1	Body, 12P, Si
3	9-5112	1	Screen, Riser, White, Plastic, Regular Mesh	13	363-3125	1	Plug
3	89-8738	1	Screen, Riser, Red, Plastic, Fine Mesh	89-3997			Cap Assy. ● ■
4	102-2178	1	Flush Cap	102-1211			Cap, Lavender (Includes Items 5 & 6) ● ■
4	102-0621	1	Flush Plug, Prx & Xf	102-2917			Prx Riser Assy., 12P (Includes Items 4 & 9) ● ■
5	89-3747	1	Cap, 570	102-2918			Prx Riser Assy., 12P Com (Includes Items 4, 9 & 10) ● ■
5	102-1211	1	Cap And Seal, Lavender (Includes Items 5 And 6)	102-3998			Xf Riser Assy., 12P (Includes Items 4 & 9) ● ■
6	570SEAL	1	Seal, Cap, White	102-3999			Xf Riser Assy., 12P Com (Includes Items 4, 9 & 10) ● ■
7	35-6872	1	Spring, Return, 570-12LP	102-4545			Cap & Riser Kit, 570-12P ● ■
7	35-9634	1	Spring, Return, 590G-12 Com	102-4546			Cap & Riser Kit, 570 Side Inlet-12P ● ■
8	89-0855	1	Ring, Ratchet				
8	89-0433	1	Ring, Ratchet, Si				
9	102-1246	1	Riser, 12"				
10	570CV	1	One Piece Check Valve, White				

● SERVICE ITEMS  
▲ See 570 Nozzles

■ Not illustrated  
◆ Not serviced separately