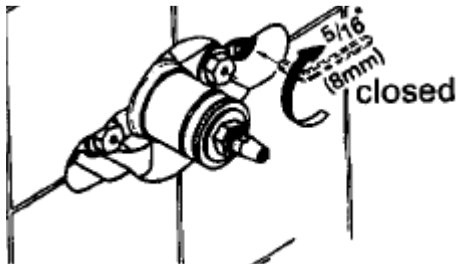
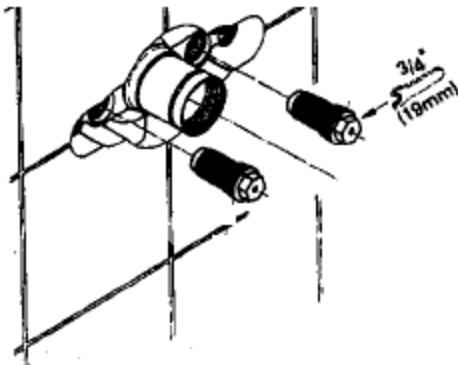


34.419 Cleaning

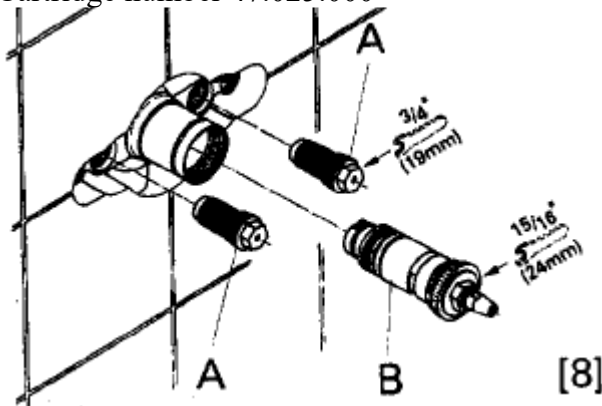
- 1) Close Service Stops using an 8mm Allen wrench, threading them in until they bottom out.



- 2) remove check valves with a 17mm socket, once removed clean the screens that wrap around the check valve. Check valve part number 14.117.00M, sold in pairs.



- 3) Remove Thermo cartridge using a 24mm wrench and clean screen that wraps around the outside of the cartridge and the screen at the backside of the cartridge
 Cartridge number 47.025.000



- 4) Once the thermo cartridge is reinstalled the valve will need to be calibrated, with a thermometer have the water flowing and turn the stem of the cartridge clockwise or counterclockwise until the temperature reaches 100 degrees and is holding, at that time the handle can be installed with the 100 degree marking at 12:00 position.