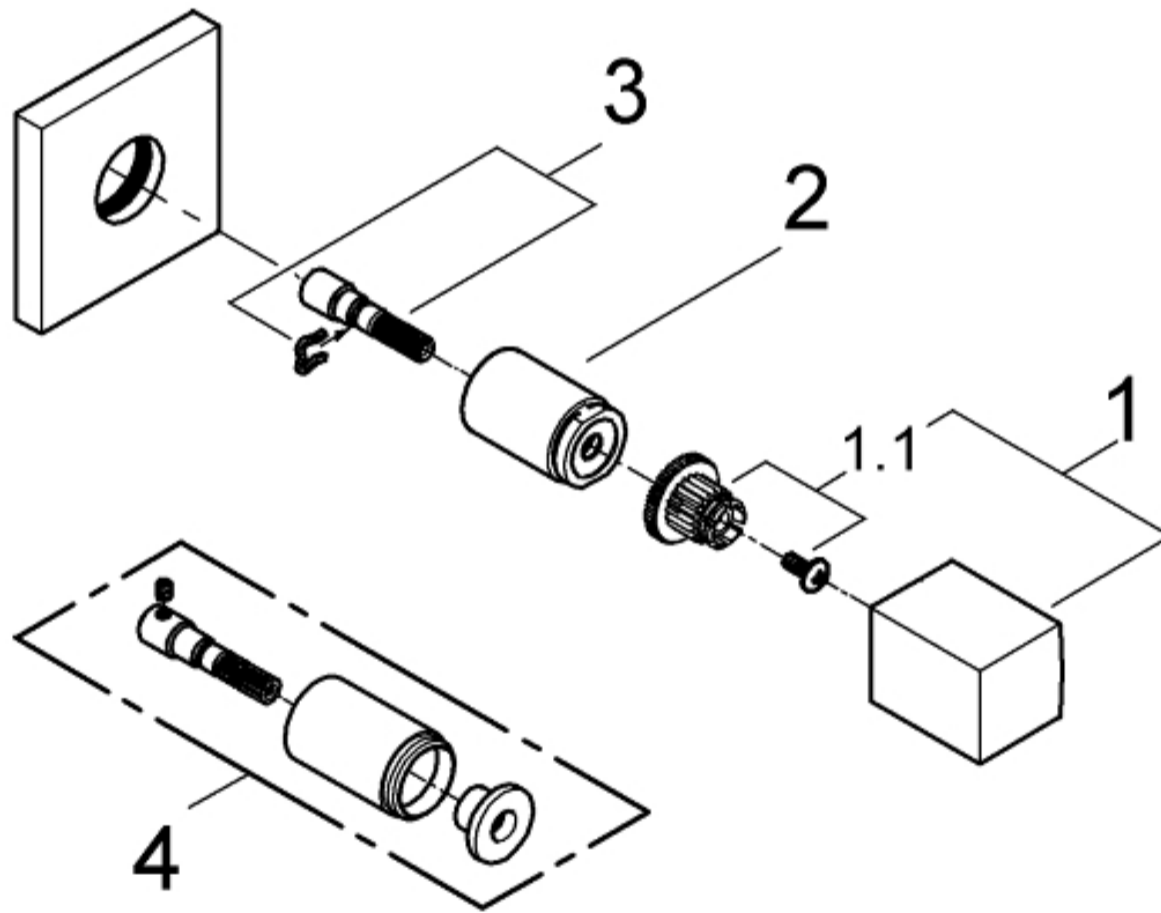

CAD DATA

SPARE PARTS



Pos.-nr.	Prod. description	Order-nr.
1	Handle	48139000
1.1	Replacement kit for fastening	45186000
2	Sleeve 1/2"	06688000
3	Extension for spindle	45201000
4	Extension for volume control	45565000*

* Optional accessories

PRODUCTS AND ACCESSORIES FOR THE INSTALLATION

PRODUCT RANGE

ALL

PEOPLE ALSO VIEWED



GROHE Sense
Smart water sensor
22505LN1

REVIEWS & QUESTIONS