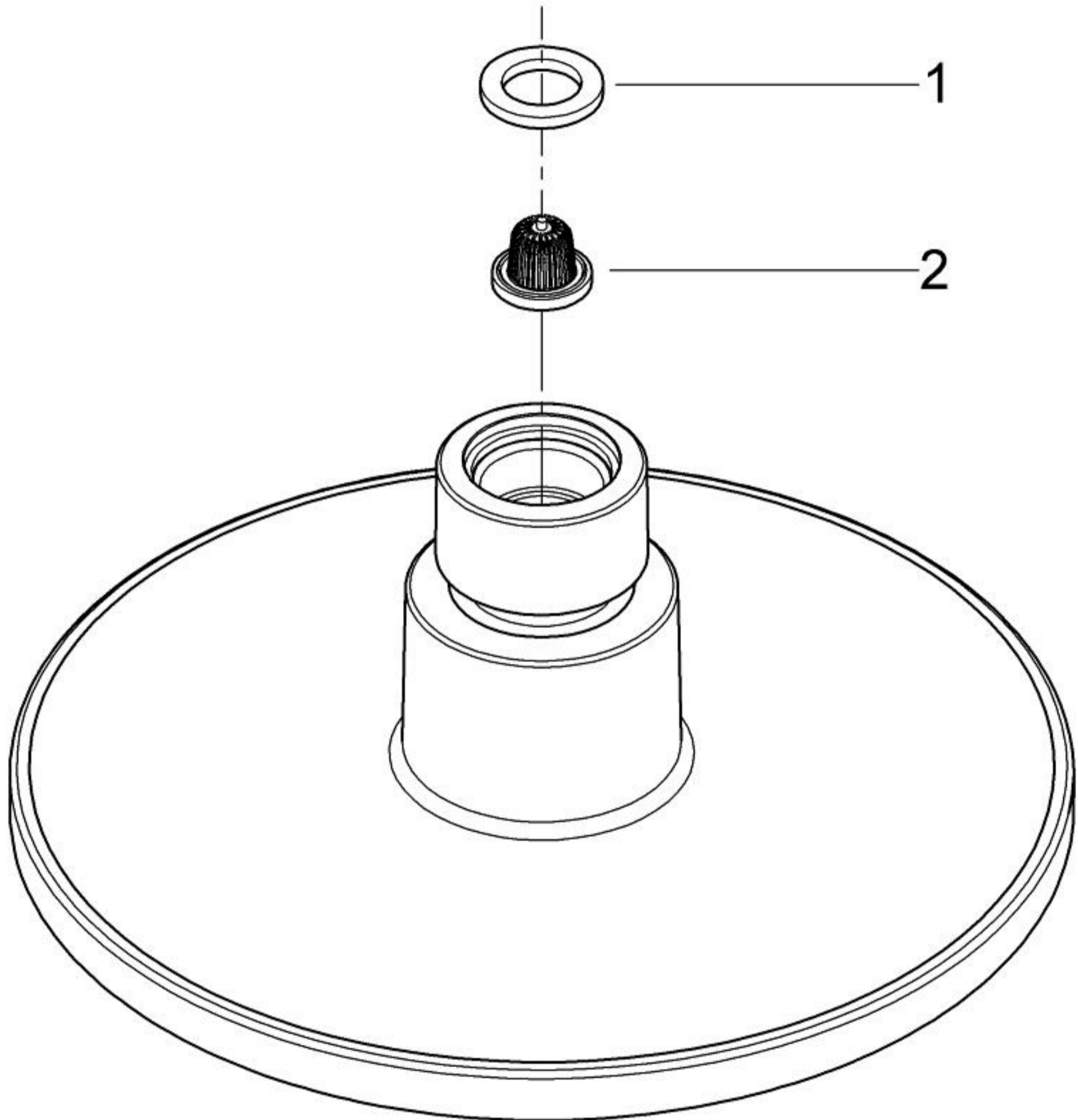

CAD DATA

SPARE PARTS



Pos.-nr.

Prod. description

Order-nr.

* Optional accessories

Pos.-nr.	Prod. description	Order-nr.
1	Fibre seal Ø 18,5 x Ø 12 x 2	0138900M
2	Dirt strainer	0676800M

* Optional accessories

PRODUCTS AND ACCESSORIES FOR THE INSTALLATION

PRODUCT RANGE

ALL

PEOPLE ALSO VIEWED



Essentials

Master bathroom accessories set 5-...
40344001



Essentials

Robe hook
40364001



Essentials

Towel ring
40365001

BROCHURE DOWNLOAD