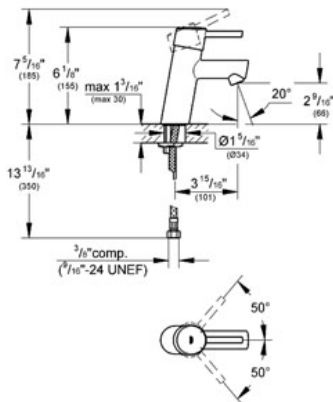
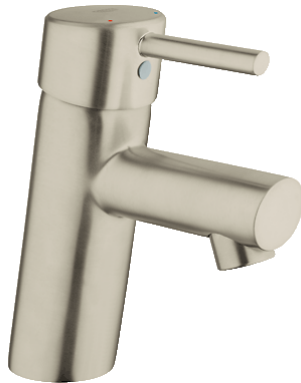


CONCETTO
Lavatory Centerset
MODEL # 34271

Pure Freude an Wasser



GROHE America, Inc | 200 North Gary Avenue, Suite G, Roselle, IL 60172
Phone: +1 (800) 444-7643 | Fax: +1 (800) 225-2778 | us-customerservice@grohe.com



Product Description:
Lavatory Centerset

Standard Specification:

- GROHE StarLight® finish
- GROHE SilkMove® ceramic cartridge
- GROHE EcoJoy® technology for less water and perfect flow
- GROHE QuickFix™ installation system with centering support
- Single hole installation
- Metal lever
- Flow control
- Smooth body
- Stainless Steel Braided Flexible Supplies
- Optional temperature limiter
- Max Flow Rate 1.5 gpm (5.7 L/min)

Applicable Codes & Standards:

- Energy Policy Act of 1992
- NSF 61
- ASME A112.18.1/CSA B125.1
- US Federal and State material regulations
- EPA WaterSense®
- ICC/ANSI A117.1

Color:

- 34271 001 chrome
- 34271 EN1 Brushed Nickel inf