

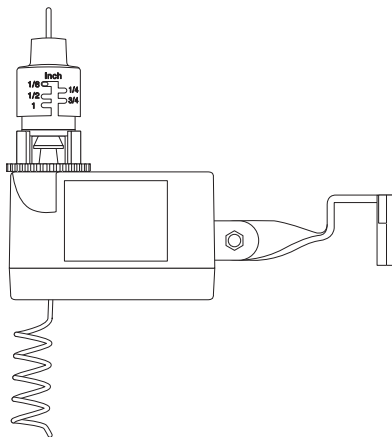
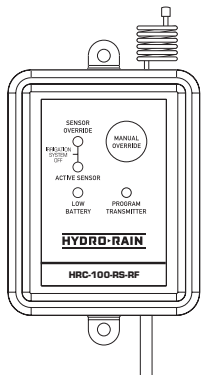
**HYDRO-RAIN®**

*Built for Speed™*

# HRC-100-RS-RF

## Wireless Rain/Freeze Sensor

### INSTRUCTION MANUAL



## Table Of Contents

<b>Section 1:</b>	INTRODUCTION .....	03
<b>Section 2:</b>	INSTALLATION INSTRUCTIONS .....	06
<b>Section 3:</b>	OPERATION CHECKS .....	10
<b>Section 4:</b>	ADJUSTMENTS AND OPERATION .....	12
<b>Section 5:</b>	MAINTENANCE AND TROUBLESHOOTING .....	17

## Section 1: INTRODUCTION

Thank you for selecting a Hydro-Rain® Wireless Rain/Freeze Sensor (HRC-100-RS-RF). This Hydro-Rain® Sensor provides conservation, convenience, and flexibility to your fully automatic watering system. After a set amount of rain has fallen, the sensor will send a wireless signal to the receiver and prevent the timer from watering. When the freeze sensor option switch is activated the sensor interrupts watering when the temperature drops on or below  $37^{\circ}\text{F} \pm 2^{\circ}$  ( $3^{\circ}\text{C} \pm 1^{\circ}$ ).

Please read this manual completely before you install and use the sensor.

### **A Few of the Notable Design Features Include:**

#### **RF Communication**

RF (Radio Frequency) technology eliminates unsightly wires and simplifies mounting.

#### **Battery Power**

The rain/freeze sensor is powered by two replaceable 3V lithium batteries.

#### **Feature Control Switch**

Located on the bottom of the transmitter, the 3-position control switch allows you to select Rain Sensor, Rain/Freeze Sensor and Sensor Off.

## Section 1: INTRODUCTION

### 1. Manual Test Stem

Pushing downward on stem tests transmitter communication with the receiver.

### 2. Rain Fall Adjustment Cap

Range adjusts from 1/8" to 1" (3mm to 25mm). This setting will prevent watering when rainfall reaches the specified setting.

### 3. Vent Ring

An adjustable ring is designed to control the rain delay duration.

### 4. Communication Antenna

Transmits a wireless signal (up to 200') to the rain/freeze receiver.

### 5. Mounting Brackets

Attach to gutter or flat surface.

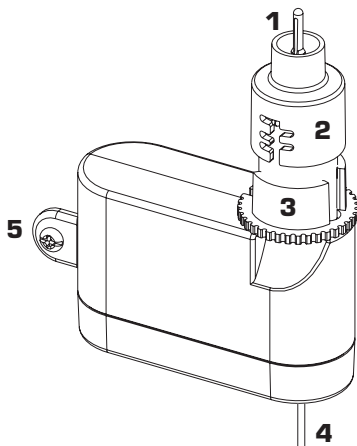


Figure 1: Rain/Freeze Transmitter

## Section 1: INTRODUCTION

### 6. Communication Antenna

Receives wireless signal from the rain/freeze sensor.

### 7. Manual Override Button

Functions in two ways:

1. Stops timer from watering
2. Allows watering when rain/freeze sensor is active

See Manual Override (Section 4) for additional detail

### LED Panel Lights

Located on the receiver, the LED lights communicate the current status of the sensor. (See Figure 2)

### 8. Sensor Override LED

Indicates when manual override is on (see manual override above).

### 9. Active Sensor LED

Indicates when the rain/freeze sensor is overriding the sprinkler timer.

### 10. Low Battery LED

Indicates when battery needs to be replaced.

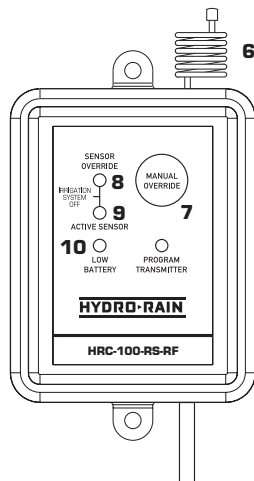


Figure 2: Receiver

## Section 2: INSTALLATION INSTRUCTIONS

### Mounting the Receiver

1. Select a location within 6" adjacent to your sprinkler timer (receiver may be located indoor or outdoor).
2. Mount rain/freeze receiver (antenna side up) using screws provided.
3. Extend and straighten the antenna upward.

### Wiring the Receiver to Timer

**Important:** This sensor is designed for 24-Volt irrigation timers only. Do not connect the receiver to 120/240 VAC. All wiring must conform to applicable local codes. Disconnect power to the sprinkler timer (unplug timer, turn off the appropriate circuit breaker or remove fuse) before attempting to connect the rain sensor receiver.

The two most common wiring situations are detailed below. The green "normal open" wire is not used in most installations. For nonstandard wiring situations, please contact our customer support hotline at 1-888-HYDRORAIN.

### 24-Volt Solenoid Valves Only (No Booster Pump)

1. Remove wire terminal cover from timer.
2. Check your timer for pre-installed sensor terminals. If the timer does not have sensor terminals, proceed to step 3. If it does, take the wire from rain/freeze receiver and connect the white (common) wire to one sensor terminal and the yellow (normal closed) wire to the other. (See Figure 3) Skip to step 5.

## Section 2: INSTALLATION INSTRUCTIONS

3. Disconnect the common valve wire from the timer, and attach it (using a wire nut) to the yellow (normal closed) wire from the rain/freeze receiver. (See Figure 4)
4. Connect the white (common) wire from the rain/freeze receiver to the common terminal of the timer.
5. Connect the (2) red “24V” wires to the 24V terminals of the timer.

### **24-Volt Solenoid Valves with Booster Pump**

**Note:** The pump circuit output must be 24 volts in this situation—  
if different, do not proceed.

1. Remove wire terminal cover from timer.
2. Check your timer for pre-installed sensor terminals. If the timer does not have sensor terminals, proceed to step 3. If it does, take the wire from the rain/freeze receiver and connect the white (common) wire to one sensor terminal and the yellow (normal closed) wire to the other. (See Figure 3) Skip to step 5.
3. Disconnect the common valve wire(s) from the timer and the common wire lead of the relay that starts the pump from the common terminal of the timer. Attach them to the yellow (normal closed) wire from the receiver, using a wire nut. (See Figure 5).
4. Connect the white (common) wire from the rain/freeze receiver to the common terminal on the timer.
5. Connect the (2) red “24V” wires to the 24V terminals of the timer.

## Section 2: INSTALLATION INSTRUCTIONS

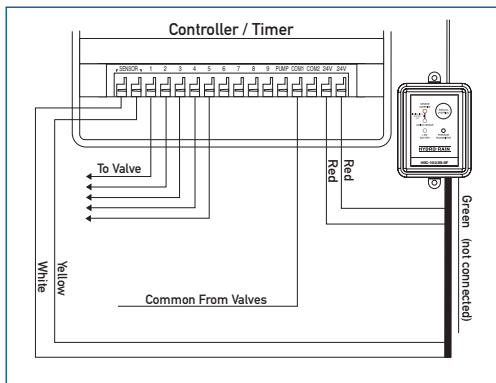


Figure 3: Wiring sprinkler timer with sensor terminals without booster pump

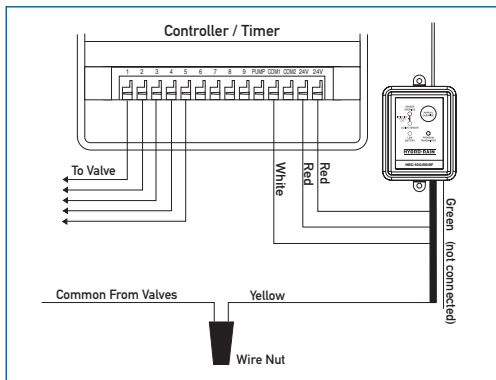


Figure 4: Wiring sprinkler timer without sensor terminals with booster pump



## Section 2: INSTALLATION INSTRUCTIONS

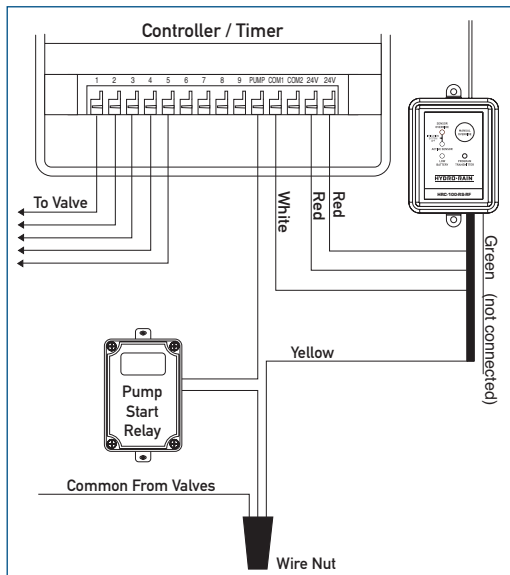


Figure 5: Wiring sprinkler timer with booster pump without sensor terminals

## **Section 3:** OPERATION CHECKS

### **Verify Correct Wiring**

Select a sprinkler station/zone that is visible and in reach of the rain/freeze receiver and sprinkler timer. After manually activating the station/zone, on the sprinkler timer, press the “Manual Override” button on the receiver. The top light should indicate that the system is being overridden. If the light does not illuminate, check the red wire connections. If the light is illuminated then the zone watering (and the pump, if installed) should shut off. If the zone continues to water check the white and yellow (or green) wire connections.

### **Verify Communication Between the Transmitter and Receiver**

Verify that the control switch, located on the bottom of the transmitter, is set on either the “Rain” or “Rain/Freeze” position. Next, press the manual test stem on the transmitter until you hear a light click. While holding the test stem down verify that the receiver “Sensor Active” light is illuminated. If the light is illuminated, the communication is set. If the light does not illuminate, press and hold the “Transmitter Program” button for at least two seconds. Once all three lights are illuminated, press the manual test stem repeatedly until the three lights start flashing. When the lights stop flashing press the manual test stem again, the “Sensor Active” light should illuminate. If problems persist check your wiring or call our technical support group.

## Section 3: OPERATION CHECKS

### Mounting the Transmitter

Mount the rain/freeze sensor to a gutter with the provided thumb screw, or to a flat surface, with provided screws, where it will be exposed to direct, unobstructed rainfall (but away from sprinkler spray). The test stem must be upright. **Note:** The distance that the transmitter and receiver will operate at is approximately 200 feet line of sight. This distance may be affected by obstacles such as walls, automobiles, metal siding, etc.

### Hints for Mounting:

1. Mount the transmitter in the highest possible position where rain can fall directly upon the rain sensor.
2. The transmitter mounting location will affect the reset rate, the amount of time it takes the rain sensor to dry out sufficiently for the sprinkler system to reactivate. For example, mounting the rain sensor on a very sunny, south-eastern end of a house may cause the rain sensor to dry out sooner than desired. Similarly, mounting on the northern end of a building with constant shade may keep the rain sensor from drying out at all. Some experimentation with the “vent ring” (described in the “Adjustments and Operation” section 4) will usually yield satisfactory results.

## Section 4: ADJUSTMENTS AND OPERATION

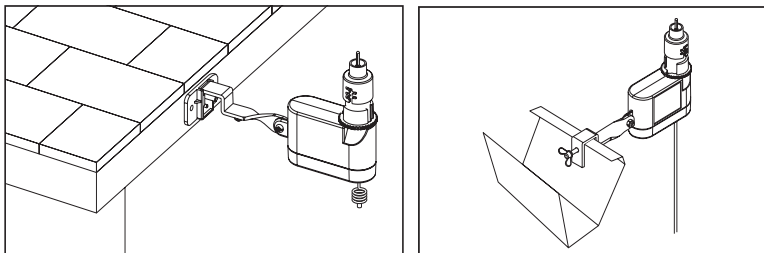


Figure 6: Attaching sensor/transmitter to gutter or flat surface

### Rain Sensor

The rain sensor keeps the irrigation system from starting or continuing after rainfall quantities of  $\frac{1}{8}$ ",  $\frac{1}{4}$ ",  $\frac{1}{2}$ ",  $\frac{3}{4}$ ", or 1". We recommend that the sensor be set at the  $\frac{1}{2}$ " setting. To adjust to the desired quantity of rainfall, rotate the cap on the switch housing so that the pins are located in the proper slots. Do not forcibly twist the cap as this might break the pins. The time that it takes the rain sensor to reset for normal sprinkler operation after the rain has stopped is determined by weather conditions (wind, sunlight, humidity, etc.). These conditions will determine how fast the hygroscopic discs dry out, and since the landscape is also experiencing the same conditions, their respective drying rates will roughly parallel each other. There is an adjustment capability on the rain sensor that will slow down the rest rate. By turning the "vent ring" to

## Section 4: ADJUSTMENTS AND OPERATION

completely or partially cover the ventilation holes, the hygroscopic discs will dry more slowly. This adjustment can compensate for an “overly sunny” installation location or peculiar soil conditions. Experimenting with the vent rings will best determine the ideal vent setting. (See Figure 7)

### Freeze Sensor

The temperature at which the freeze sensor is activated is  $37^{\circ}\text{F} \pm 2^{\circ}$  ( $3^{\circ}\text{C} \pm 1^{\circ}$ ) and is not adjustable. The freeze sensor feature can be bypassed by moving the switch (located on the bottom of the rain/freeze sensor) to the “Rain” position.

### Manual Override

The Manual Override button can be used in 2 functions:

1. Running the sprinkler timer when rain/freeze sensor is active (Deactivating the sensor)
2. To stop timer from watering (Deactivating sensor and timer)

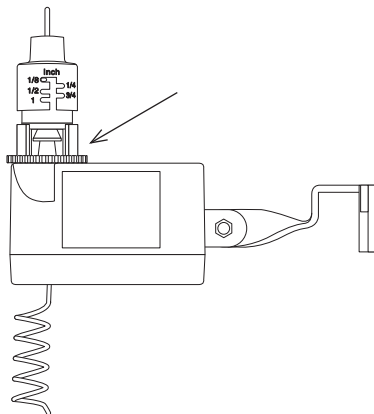


Figure 7: Rain and vent ring adjustments

## **Section 4:** ADJUSTMENTS AND OPERATION

### **Running the Sprinkler Timer when Rain/Freeze Sensor is Active** (see Figure 8)

1. Make sure “Active Sensor” is the only LED illuminated (on the rain/freeze receiver).
2. Push the “Manual Override” button—“Sensor Override” LED will illuminate and “Active Sensor” LED will turn off.
3. To restore rain/freeze sensor function push “Manual Override” again—“Sensor Override” LED will turn off.

### **Stop Sprinkler Timer from Watering** (see Figure 9)

1. Make sure “Active Sensor” and/or “Sensor Override” is/are not illuminated (on the rain/freeze receiver).  
**Important:** If “Active Sensor” is illuminated, do not push “Manual Override” (this will engage the function above). If you need to shut your irrigation system down, turn your timer to the off position.
2. Push the “Manual Override” button—both “Sensor Override” and “Active Sensor” will illuminate (on the rain/freeze receiver).
3. To restore sprinkler timer function, push “Manual Override” again—“Sensor Override” will turn off.

## Section 4: ADJUSTMENTS AND OPERATION

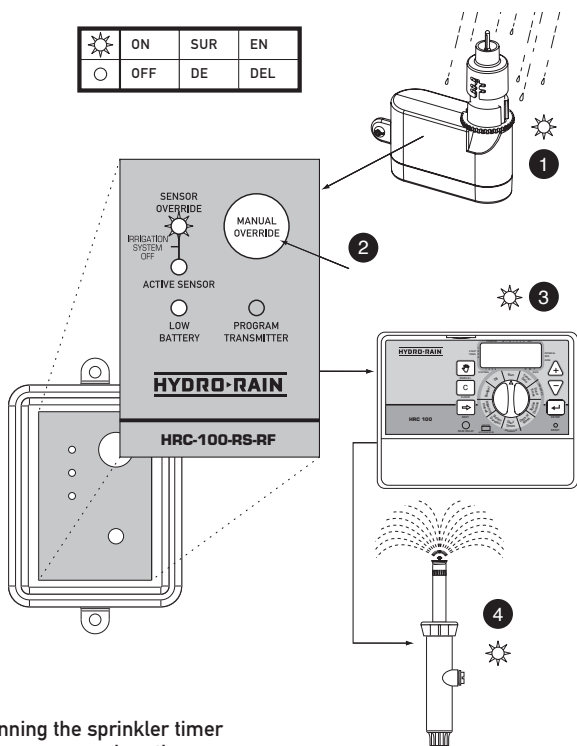


Figure 8: Running the sprinkler timer when rain/freeze sensor is active

## Section 4: ADJUSTMENTS AND OPERATION

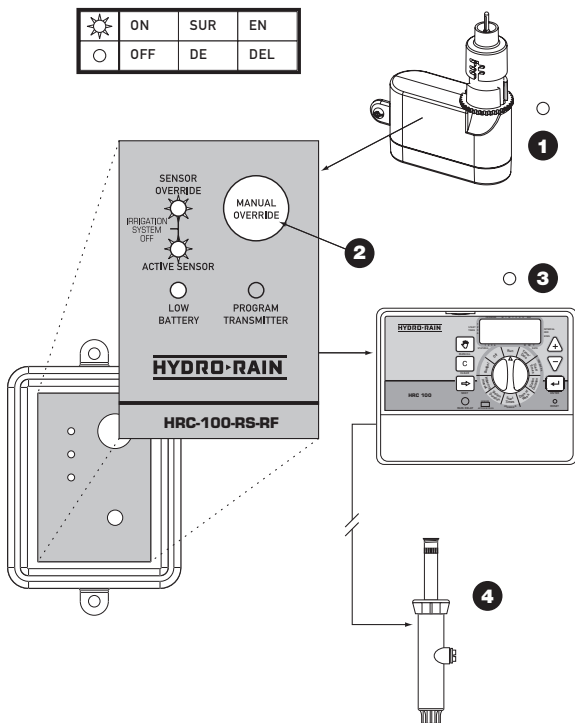


Figure 9: To stop timer from watering



## **Section 5:** MAINTENANCE AND TROUBLESHOOTING

### **Maintenance**

The two lithium 3V batteries (CR2032) will need to be changed as needed. There is a low battery indicator light on the receiver that tells you when you need to change the battery. To change the batteries, remove the black rubber cover from underneath the sensor/transmitter. The battery mount should drop down, attached with a wire. Replace both batteries, making sure the + side of the batteries point to the + indicated on the mount. Insert the battery mount and replace cover, making sure it's seated properly.

Neither the rain nor freeze sensor needs to be removed or covered during the winter. All parts are easily replaceable if they become damaged or lost. The spindle assembly is designed to stay with the cap. Do not pull them apart.

### **Follow These Simple Checks Before Replacing Your Rain/Freeze Sensor:**

#### **System Will Not Come On At All:**

- A. Check to see that the rain sensor discs are dry and the switch “clicks” on and off freely by pressing the top of the spindle.
- B. Check the feature control switch to make sure it is switched to the “rain” setting or the “rain/freeze” setting.

## **Section 5:** MAINTENANCE AND TROUBLESHOOTING

- C. Toggle the manual override switch on the receiver to change status.
- D. If you have a timer with built-in sensor terminals there is usually a bypass switch located near the terminals, check that the switch is set to “ON.”
- E. Check that the temperature is at least 39°F (4°C) or higher.

### **System Will Not Shut Off Even After Heavy Rainfall:**

- A. Check wiring for correct installation (See “Operation Checks: Verify Correct Wiring”).
- B. Check sensitivity setting on rain sensor, and move the cap to a more sensitive setting. The rain sensor is an accurate rain gauge and can be verified by setting up a “tube” type rain gauge in the same vicinity and making periodic readings.
- C. Check for obstructions to rainfall such as overhangs, trees, or walls.
- D. Check the batteries.
- E. If your controller has a rain bypass switch make sure it is in the correct position to allow the sensor to communicate with the controller.
- F. Toggle the manual override switch on the receiver to change status.

**Help:** Before returning this timer to the distributor, contact Hydro-Rain® Technical Service at: 1-888-HYDRORAIN.

## **Section 5:** MAINTENANCE AND TROUBLESHOOTING

### **Specifications:**

- › Rain/Freeze Wireless Range: Up to 200 feet or 61 meters (Line of Site)
- › Rain Settings: 1/8" -1" (3-25mm)
- › Freeze Set Point: 37°F ±2° (3°C ±1°)
- › Average Battery Life: 2 Years
- › Battery Type: Two CR2032 3-volt cells
- › LED Status Lights: Low battery, Active Sensor and Sensor Override
- › Relay Contacts Output: Normal Open and Normal Close 3A@24VAC
- › Operating Temperatures: 12°F (-10°C) to 140°F (60°C)
- › Transmitter Switch: Rain Only, Rain/Freeze and Sensor Off
- › Twist Ring for Adjusting Dry-Out Duration
- › Mounting Brackets: Gutter Mount and Flat Surface Mount
- › Warranty: 3 Years Limited

### **Warranty and Statement**

Hydro-Rain® warrants to its customers that its products will be free from defects in materials and workmanship for a period of three years from the date of purchase. We will replace, free of charge, the defective part or parts found to be defective under normal use and service for a period of up to three years after purchase (proof of purchase required). We reserve the right to inspect the defective part prior to replacement. Hydro-Rain® will not be responsible for consequential or incidental cost or damage caused by the product failure. Hydro-Rain® liability under this warranty is limited solely to the replacement or repair of defective parts. To exercise your warranty, return the unit to your dealer with a copy of the sales receipt.

---

**HYDRO▶RAIN®**

---

*Built for Speed™*

915 Overland Street  
North Salt Lake, UT 84054

1.888.HYDRORAIN  
[www.hydrorain.com](http://www.hydrorain.com)

Model 04008-24 rA