



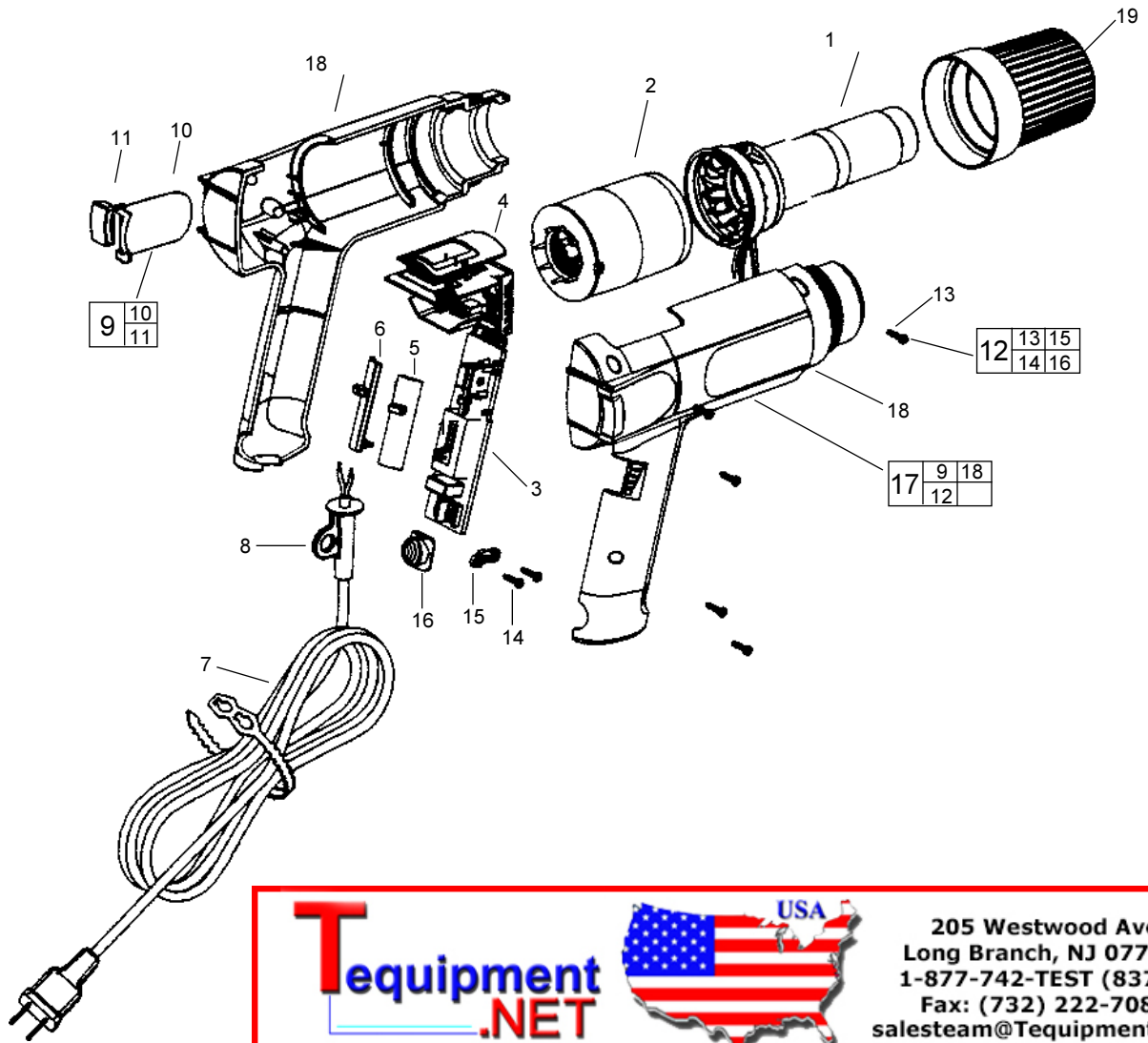
SERVICE PARTS LIST

BULLETIN NO.
54-05-0825

SPECIFY CATALOG NO. AND SERIAL NO. WHEN ORDERING PARTS		REVISED BULLETIN	DATE
3 - STAGE HEAT GUN with DISPLAY			Dec. 2000
CATALOG NO. 8988-20	STARTING SERIAL NUMBER 199A - 1001	WIRING INSTRUCTION See Reverse Side	

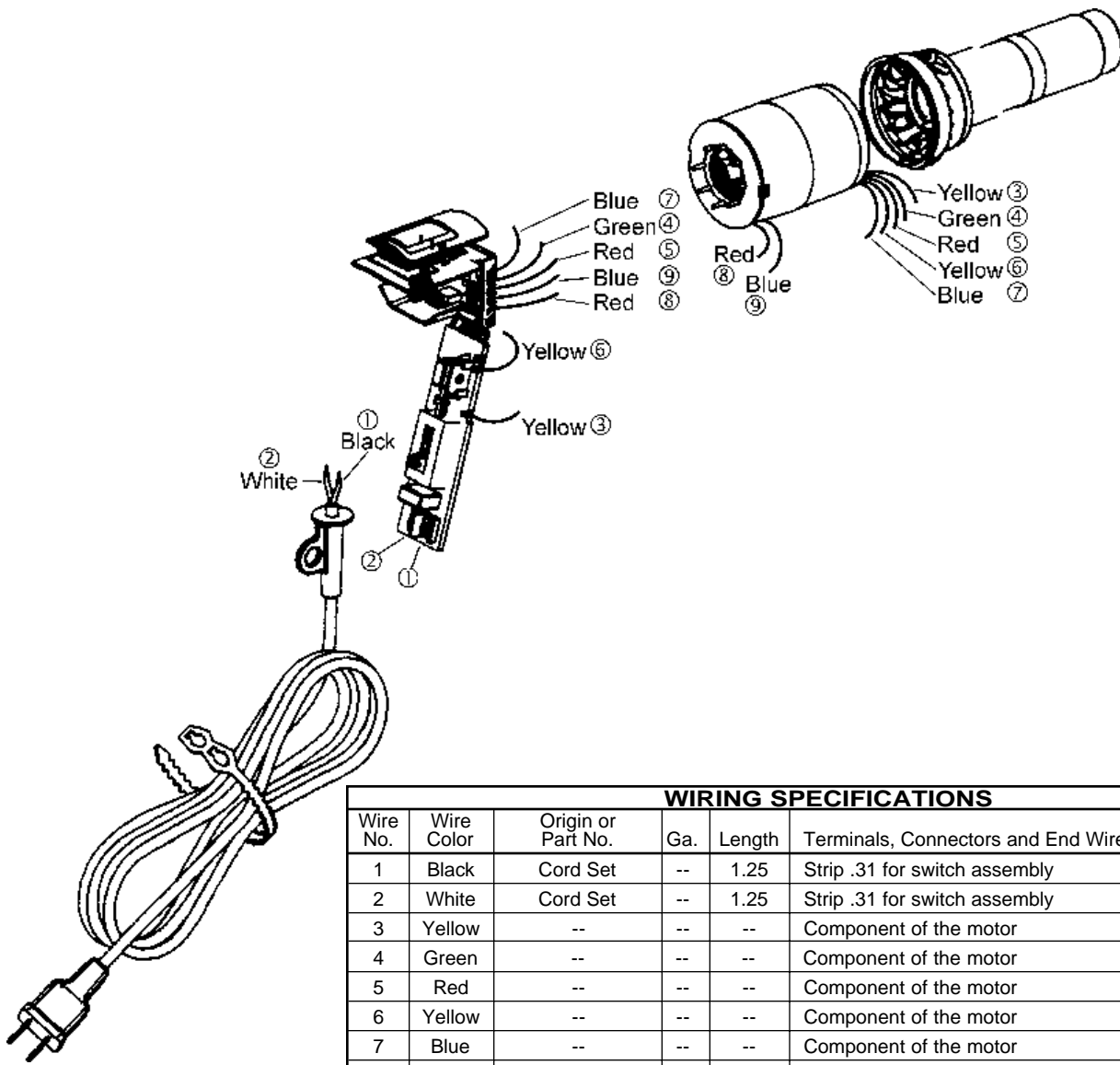
00 0

EXAMPLE:
Component Parts (Small #) Are Included
When Ordering The Assembly (Large #).



205 Westwood Ave
Long Branch, NJ 07740
1-877-742-TEST (8378)
Fax: (732) 222-7088
salesteam@Tequipment.NET

FIG.	PART NO.	DESCRIPTION OF PART	QTY.	FIG.	PART NO.	DESCRIPTION OF PART	QTY.
1	14-20-0465	Heating Element	(1)	12	14-46-8986	Repair Kit	(1)
2	14-50-0635	Motor	(1)	13	-----	Housing Screws	(5)
3	23-66-2055	Switch Assembly	(1)	14	-----	Cord Screws	(2)
4	31-15-0025	LCD Display Cover	(1)	15	-----	Cord Clamp	(1)
5	31-84-0010	Switch Cap - Temperature (Red)	(1)	16	-----	Rubber Support	(1)
6	31-84-0015	Switch Cap - Power (Blue)	(1)	17	14-38-0575	Housing Kit	(1)
7	22-64-0830	Cord	(1)	18	-----	Housing Halves	(2)
8	44-76-0165	Strain Relief	(1)	19	31-55-0165	Nose Guard	(1)
9	14-46-8988	Air Filter Kit	(1)	--	12-20-8988	Service Nameplate Kit (not shown)	(1)
10	-----	Air Filter	(2)	--	-----	Milwaukee Label (not shown)	(1)
11	-----	Rubber Pad	(2)	--	-----	Caution Label (not shown)	(1)
				--	-----	Nameplate (not shown)	(1)



WIRING SPECIFICATIONS					
Wire No.	Wire Color	Origin or Part No.	Ga.	Length	Terminals, Connectors and End Wire Preparation
1	Black	Cord Set	--	1.25	Strip .31 for switch assembly
2	White	Cord Set	--	1.25	Strip .31 for switch assembly
3	Yellow	--	--	--	Component of the motor
4	Green	--	--	--	Component of the motor
5	Red	--	--	--	Component of the motor
6	Yellow	--	--	--	Component of the motor
7	Blue	--	--	--	Component of the motor
8	Red	--	--	--	Component of the motor
9	Blue	--	--	--	Component of the motor

BULK LEAD WIRE - BULLETIN 58-01-0003

