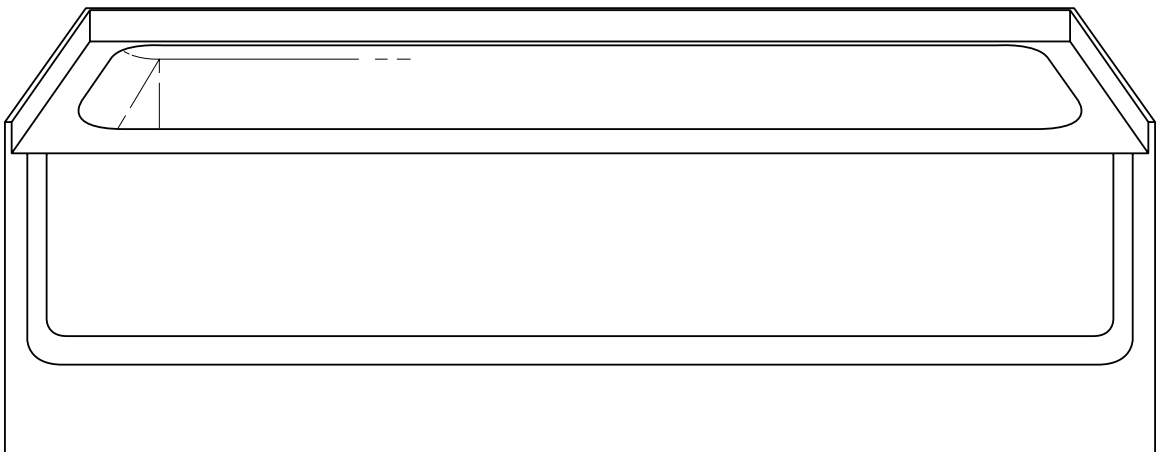




BT-3060 R Bathtub (right-side drain)
BT-3060 L Bathtub (left-side drain)

- **Product Warnings**
- **Safety Guidelines**
- **General Information**
- **Installation Procedure**
- **Special Application**
- **Care & Cleaning**
- **Warranty Information**



**Read and Understand
Before Installing**

The Swanstone Assurance — if our product is properly installed and maintained, as stated in these instructions, it will not leak.

Remember - Safety First

IMPORTANT NOTICE

The Swan Corporation, the makers of the Swanstone products, cannot anticipate every possible circumstance that might involve a potential hazard during the installation of our product(s). The warnings and instructions in this installation guide are, therefore, not all-inclusive. If a tool, installation procedure, or work method that is not specifically recommended by The Swan Corporation is used, you must satisfy yourself that it is safe. You should also make sure that the Swanstone product(s) will not be damaged by the methods you choose. The Swan Corporation will not be held responsible for water damage of any kind in connection with the installation of one of our Swanstone bath/shower/panel kits.

WARNING

To avoid product damage, personal injury, or even possible death, carefully read, understand, and follow all the instructions in this installation guide before installing this product(s). Do not use cleaning fluids or operate power tools unless you read and understand the instructions and warnings in this and all other applicable labels or manuals. Proper use of tools and the products described in this guide is your responsibility.

WARRANTY

This product is covered by a Limited Lifetime Warranty. Refer to the Warranty section in this manual for complete details.

Save this manual for future reference.

Important information on cleaning, maintenance, and repair is contained within.

Safety Guidelines

IMPORTANT NOTICE

IMPORTANT NOTICE: Indicates that equipment or property damage can result if instructions are not followed.



Read and Understand the Manual

It is the responsibility of any individual who installs or maintains this product to fully understand and follow proper installation and maintenance procedures. Be aware of the inherent dangers in the use of power tools when installing this product. Read and understand all Warnings, Cautions, and Important Notices in this manual.



Work Safely

DO NOT proceed if any doubt arises about the correct or safe method of performing anything found in this or other Swanstone manuals.

The installation of this product can require using power tools. Do not use power tools without adequate training. If necessary, hire or consult a trained professional for expert assistance before continuing.



Use Proper Tools

Always use proper tools which are in good, working condition during the installation of the Swanstone products. Using tools other than those listed could adversely affect the integrity of floors, pipes, walls, or this product and could result in water damage or other damage to floors, pipes, walls, or other portions of your building or home.



Do Not Use Nails

To prevent damage to the bathtub and possible water or other damage to floors, pipes, walls, or other portions of your building or home, do not nail or screw **through** the bathtub flange to secure it to the stud wall. Bathtub clips (included) must be used to secure the bathtub in place. Refer to the specific instructions in this manual for the proper installation of the bathtub clips.



Inspect Before Cutting

Make sure no electrical wiring or plumbing is present before cutting into a wall to install any accessories.

⚠ CAUTION

CAUTION: Indicates a potentially hazardous situation which, if not avoided, may result in minor or moderate injury. It may also be used to alert against unsafe practices.



Lifting Hazard

According to the National Institute for Occupational Safety and Health, the recommended maximum safe lifting weight is 51 pounds, with all lifting conditions perfect—minimal forward reach, steady load close to the body, straight back, load between knees and shoulders, and good grips. To avoid personal injury, always use these proper lifting techniques and use two people to move heavy cartons. Use the appropriate lifting devices to move the load. Always use two people when lifting heavy or bulky cartons. **DO NOT** attempt to lift objects that are too heavy.

WHEN CARRYING A HEAVY LOAD—GET HELP!



Slipping Hazard

Do not install this product in the presence of water. Installing this product without drying all surfaces, or in the presence of water, could cause you to slip and fall due to wet floors or spilled fluids. Personal injury can result from slips or falls. Before installation, dry all surfaces, including the floor, with a cloth or paper towel. Clean up all water or spilled fluids immediately.



Tripping Hazard

Personal injury can result from tripping over power cords, tools, or other items. **DO NOT** leave items laying around the work area.



Personal Protection

Be sure to use all personal protective equipment, such as sturdy work boots (preferably with steel toes), gloves, and hard hat, if necessary, to ensure your own safety. To prevent possible damage to your hearing, always wear ear protection, such as earmuffs or earplugs, when working around power tools.



Cutting Hazard

The installation of the Swanstone product may require using power tools. Keep hands away from the cutting edge of any tool used in the installation of our product. Placing fingers in or around the cutting blades could result in serious personal injury.

! WARNING

WARNING: Indicates a potentially hazardous situation which, if not avoided, could result in serious injury or death.



Eye Protection

Be sure to use all personal protective equipment to ensure your own safety. To avoid eye injury, always wear protective glasses with side shields when using power tools. Also, make sure no one else can be injured by flying particles when using power tools.



Fire Hazard

Personal injury or death can result from a fire caused by flammable liquids or silicone. Cleaners or solvents can be highly explosive, resulting in personal injury or even death, when not used properly. Clean up any flammable substance immediately. Sparks or open flames can cause flammable substances to ignite. **DO NOT** smoke while working on or near any flammable substance.



Solvents Hazard

Follow all manufacturer's safety instructions for silicone and denatured alcohol. Alcohol vapors are both flammable and hazardous to breathe. Silicone vapors may irritate eyes and nose. Personal injury can result from improperly handling or use of products such as denatured alcohol. Always follow the manufacturer's recommendations for the safe use of these products. Ventilate any work area before beginning to apply silicone, cleaning agents, or solvents.



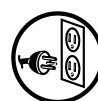
Fumes Hazard

The fumes from the silicone and solvents used by the installer can be harmful if used in an unventilated room. Always work in a well-ventilated area.



Dust Hazard

When cutting or drilling the Swanstone product, use a dust collection method which prevents dust particles from going into the air. Always work in a well-ventilated area. Always use an OSHA approved dust mask when cutting, drilling, or sanding Swanstone products.



Power Tool Hazard

To prevent personal injury or possible death, always follow the electrical safety recommendations of the power tool's manufacturer. Do not use power tools in an unsafe manner. Power tools should only be connected to a circuit protected by a ground-fault circuit interrupter (GFI).



Shock Hazard

Never use electric power tools around water, condensation, or other liquids. Electric shock can cause severe burns, significant injuries, and even death. If an extension cord is required, always use an OSHA approved extension cord. Power cords should only be connected to a circuit protected by a ground-fault circuit interrupter (GFI).



Electrical Shock Hazard

Contacting live electrical wiring with power tools or hand tools can cause serious injury or death. Make sure all related circuit breakers are turned OFF. Test for live circuits or wiring inside any wall where installation of the Swanstone product requires cutting into a wall.



Electrocution Hazard

Water and other liquids conduct electric current and can create a short circuit, resulting in injury or death. Keep all liquids away from electrical cords and power tools. **DO NOT** create a short circuit between a source of electricity and a liquid by being in contact with both simultaneously.



Grab Bars

It is recommended that the bathtub walls be equipped with support grab bars that comply with the most recent edition of ANSI-A117.1 requirements. Grab bars must be anchored to structural support (wall studs) behind the Swanstone wall panels. Do not rely on the panels only for grab bar support!

General Information

General Information

Followed carefully, these installation instructions will result in an easy, trouble-free installation of your Swanstone BT-3060 Bathtub. When installing this bathtub with other Swanstone products, such as the BA-3060 Bath Alcove Wall Kit or other wall panel kits, read all the installation instructions in each kit before beginning installation. Any deviations, additions, and/or deletions from the prescribed installation, without prior written approval of our Customer Relations Department, will void the warranty covering this product. Not following the directions could also result in personal injuries, water damage, and other damage to floors, pipes, walls, and other portions of your building or home.

Important Information

- **If the bathtub is installed in conjunction with a Swanstone BA Series Alcove Wall Kit, please read both instruction manuals before proceeding. The BA Series Alcove Wall Kits do not require the installation of moisture-resistant wall board.**
- **If the bathtub is installed in conjunction with solid surface wall panels or ceramic tile, the stud wall framework must first have the appropriate 1/2" (13 mm) moisture-resistant wall board, marine grade plywood, or cement board installed.**

Note: Install the BA Series Alcove Wall Kit or other appropriate wall board material after installing the BT3060 bathtub.

Required Tools

- Hammer
- Sabre saw (for cutting drain hole in subfloor)
- Tape measure
- Level
- Large head roofing nails (for bathtub clips)
- Filler (thinset or mortar)
- Clean paper towels or shop towels

Carton Contents

The bathtub carton contains one Natural Gloss Composite Bathtub; BT-3060 R (right-side drain) or BT-3060 L (left-side drain), and six metal bathtub clips. Confirm that all parts of this kit have been included before beginning installation.

Unpackaging

- This product is shipped to you or your retail center after careful inspection. After purchasing the kit, carefully unbox and inspect the product for any shipping damage that may have occurred. Make sure the bathtub is the correct size and is in good condition. Remove the protective plastic tub liner and inspect the bathtub for damage. If damage is found, report it immediately to the store of purchase. Installation of a damaged product will void the warranty.
- After inspection, replace the protective plastic liner. During construction, protect the product from damage by moving it to another room or area until time to install the bathtub.
- Store the bathtub on a flat surface until the time of installation. Do not discard the plastic liner/protector from the bathtub until after the installation is complete. Do not store the bathtub in a vertical position, outside of the original packaging.
- Please use the model number located on the side of the box or the front of this manual when contacting us with questions concerning the installation of this unit.

Helpful Hints

- Read all instructions carefully BEFORE starting the installation. Familiarize yourself with the various parts of the kit.
- The variety of installations possible for this kit may require procedures other than those shown. Ensure that framework construction is correctly sized, plumb, and square.
- Keep the plastic liner/protector in place for protection of the bathtub during the installation process.
- Store unused materials away from the work area to prevent accidental damage.
- If the bathtub is placed over a garage or on an outside wall, care must be taken to ensure that the bathtub plumbing is properly insulated from cold temperatures.

General Information

Installation Tips

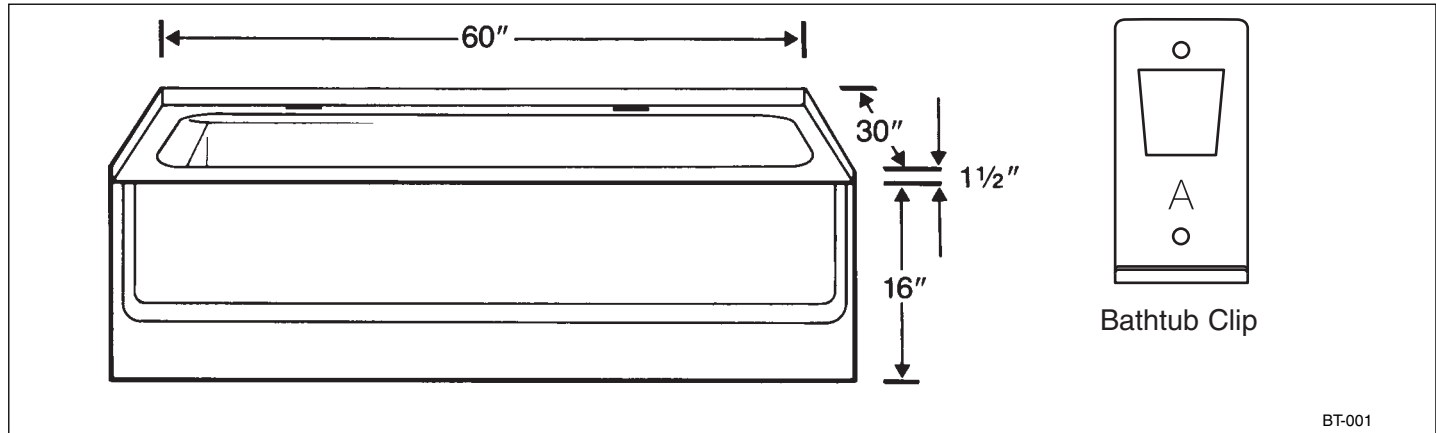
- Measure the actual bathtub before building or modifying the stud wall framework. The recommended measurements are 3/8" wider and at least 3/16" deeper than the actual size of the bathtub.
- Turn off the hot and cold water supply during construction.
- Never install our products directly on any surface that is or may become, wet or damp.
- Ensure all plumbing or electrical work inside the walls or subfloor is finished prior to installation of the bathtub and wall panels.
- Make sure the drain hole in the subfloor or slab is large enough (6" diameter recommended) and aligns with the hole in the bathtub.
- Verify the overflow drain plumbing will correctly connect to the bathtub.
- Make sure the subfloor under the bathtub is level in both directions. The bathtub must be level when installed. Improper installation will void the warranty.
- The subfloor under the bathtub must be free of dirt, film, waxes, or any other residues.

Disclaimer

- The information contained in this Installation Manual is given free of charge. It is based upon technical data which we believe to be reliable and is intended for use, by persons having knowledge of this technical area, at their own discretion and risk. Swan assumes no responsibility for results obtained or damage incurred from the use of this material either in whole or in part by the buyer.
- This manual will give you basic step-by-step instructions for the installation of the product that will work in most types of installations. If you have an installation application that is not covered in this manual, **before beginning the installation**, please call your local Swan distributor or contact the Swan Corporation directly for additional information about your application.
- Follow all installation instructions. Failure to follow these instructions could result in personal injuries, water damage, or other damage to floors, pipes, walls, or other portions of your building or home.

Installation Procedure

Understanding Framework Construction



The BT-3060 Bathtub is approximately 60" wide, 30" deep, and 16" high. It features a 1-1/2" threshold flange and special clips for secure attachment to the framework enclosure.

IMPORTANT NOTICE

Dimensions are approximate sizes only. Measure the actual bathtub prior to building the framework to determine the exact size. Add 3/8" to the width measurement and at least 3/16" or more to the depth measurement of the bathtub to correctly size the framework opening.

Note: Temporarily remove the protective plastic liner and inspect the bathtub for damage. If damage is found, immediately report it to the store of purchase. Replace the plastic liner during bathtub installation and during construction of the framework.

Swan Corp cannot anticipate every possible installation situation or condition. The variety of installations possible for this bathtub kit may require procedures other than those shown. Plan ahead to ensure that framework construction is correctly sized, plumb, and square. Check local building code before constructing the framework enclosure.

The key to a good bathtub installation is proper fit within the stud wall framework. Remember these important points to ensure a smooth installation.

- Completely read and understand this manual and the appropriate bathtub solid surface wall panel installation manual prior to beginning the project.
- Measure the actual bathtub and use these dimensions to build or modify the stud wall framework to fit. Up to a 3/16" gap between the framework and the Swanstone bathtub flange is acceptable.

Installation Options

- The bathtub can be installed with the flange directly against the stud wall framework and 1/2" moisture-resistant wall board installed above the bathtub flange.
- The bathtub can be installed with the flange directly against the stud wall framework and a Swan Corporation BA Series Alcove Wall Kit can be installed directly onto the wall stud framework. Refer to the alcove wall kit manual for more information, prior to building/modifying the framework.
- The bathtub can be installed with the flange against existing moisture-resistant wall board with a second layer of 1/2" moisture-resistant wall board added above the bathtub flange.

Note: The bathtub should be set into place prior to wall finishing. This unit should not be installed directly against a masonry wall. First install furring strips or other anchoring materials, then secure the bathtub to this framework.

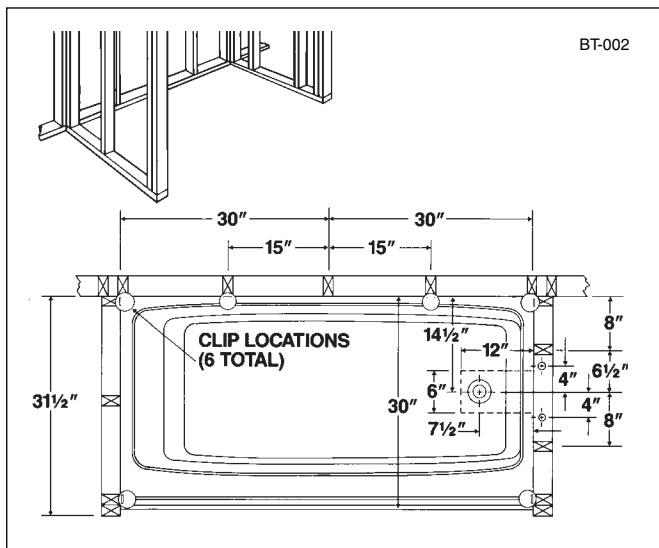
Framework Construction

1. Measure the actual bathtub prior to building or modifying the stud wall framework to determine the exact size required.
2. Add 3/8" to the width measurement and at least 3/16" or more to the depth measurement of the bathtub to correctly size the framework opening.
- 3a. For new construction, build a wood or steel stud framework for the bathtub enclosure. Dry fit the bathtub to ensure the recommended dimension exists between the bathtub, the side wall framework, and the back wall framework.

IMPORTANT NOTICE

If installing a Swan Corporation Alcove Wall Kit in conjunction with the bathtub, note that the alcove side panels are designed to extend out past the edge of the bathtub. Read the Alcove Wall Kit installation manual and build the framework to the specifications outlined in that publication.

Note: When constructing or modifying stud wall framework, make sure to install (gang) multiple studs to provide support for any required moisture resistant wall board, solid surface panel attachment flanges, or filler boards, etc. The framework depth must be at least 3/16" more than the actual depth measurement of the bathtub. The illustration below shows a framework depth of 31-1/2", which is greater than the minimum.



- 3b. For existing construction, dry fit the bathtub to make sure it fits correctly in the bathtub enclosure framework. If necessary, modify the framework to achieve the proper bathtub fit.

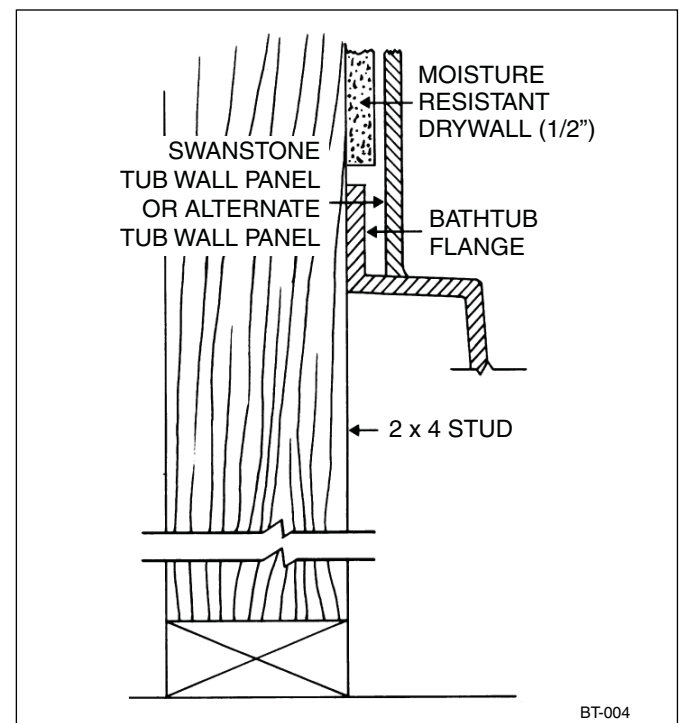
Example 1

If the bathtub is to be installed in conjunction with Swan Corporation solid surface wall panels or alternate wall panels/ceramic tile, the following procedures must be followed.

1. After the bathtub installation is complete, install 1/2" moisture-resistant wall board, as shown.
2. The Swanstone or alternate bathtub wall material will then be installed over the 1/2" moisture-resistant wall board and bathtub flange, as shown.

IMPORTANT NOTICE

To prevent possible water (wicking affect) damage to the wall, the wall board must have a 1/2 inch gap above the bathtub flange lip, as shown below.

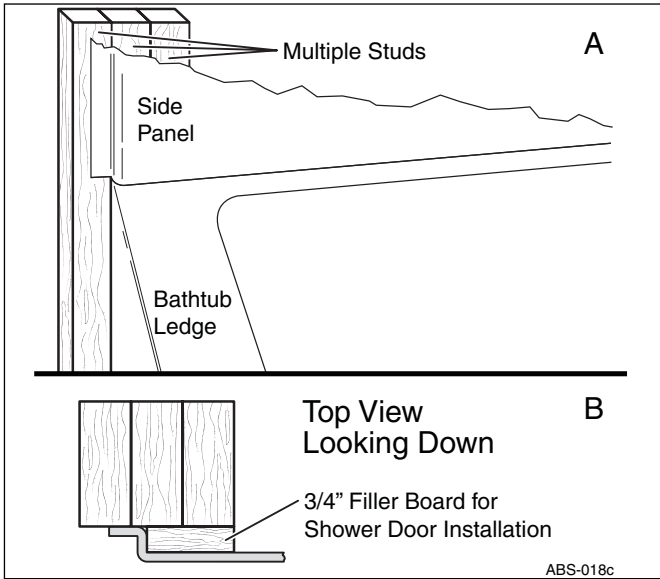


Installation Procedure

Example 2

If the bathtub is to be installed in conjunction with a Swan Corporation BA Series Alcove Wall Kit, the following procedures must be followed.

1. After bathtub installation is complete, refer to the alcove wall kit manual for more information on installing alcove wall kits.
2. Follow those instructions to install any required filler boards and the Swan Corporation Alcove Wall Kit, directly to the stud wall framework.



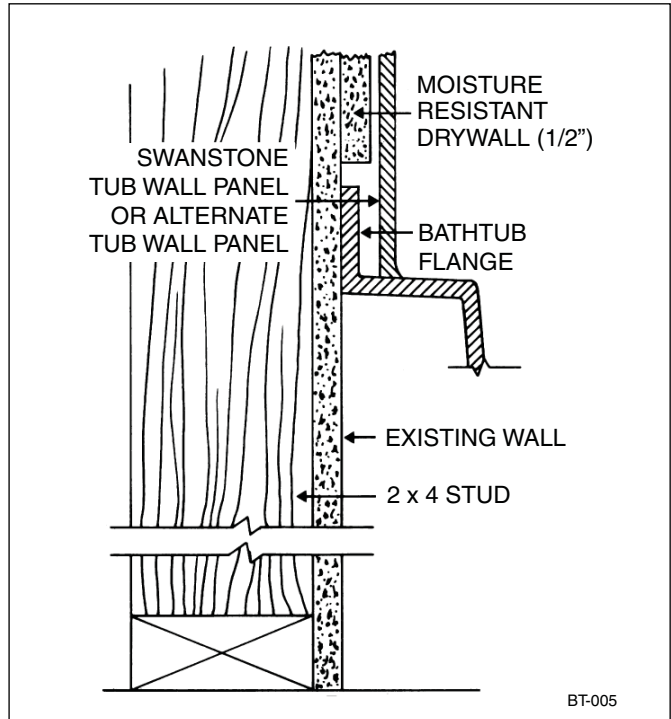
Example 3

If the bathtub is to be installed in conjunction with existing moisture-resistant wall board, the following procedures must be followed.

1. After the bathtub installation is complete, install 1/2" moisture-resistant wall board over the existing wall surface, as shown.
2. The Swanstone or alternate shower wall material will be installed over the new layer of 1/2" moisture-resistant wall board and the bathtub flange, as shown.

IMPORTANT NOTICE

To prevent possible water (wicking affect) damage to the wall, the second layer of wall board must have a 1/2 inch gap above the bathtub flange lip, as shown below.



Plumbing

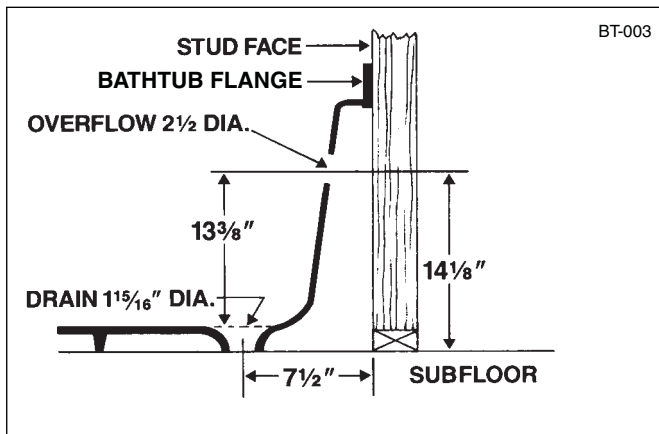
All supply lines to the valves, tub spout, and shower riser must be located prior to bathtub installation. This bathtub accepts a standard 16" adjustable drain and overflow fitting.

IMPORTANT NOTICE

For remodeling, removal of a portion of the subfloor may be necessary. Replace the subfloor prior to bathtub installation. NEVER install the bathtub over open floor joists. The bathtub must be installed on a solid, level subfloor.

1. Trial fit the bathtub in the stud pocket. Measure and verify drain and supply line locations.

Note: Make sure the bathtub fits the framework enclosure properly. If necessary make any adjustments to the framework to ensure a correct fit.



2. Remove the bathtub and install the plumbing supply lines, as well as waste and overflow lines, in accordance with the plumbing manufacturer's installation instructions.

Bathtub Installation

IMPORTANT NOTICE

Proper installation requires the bathtub to be set into a bed of mortar-type material (Quikrete). Improper installation will void the warranty.

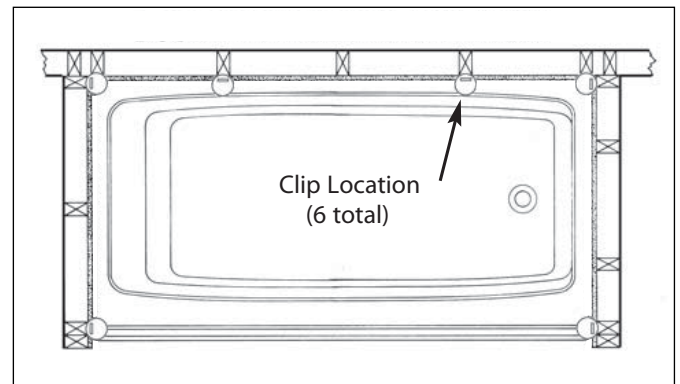
1. Refer to the plumbing fixture manufacturers instructions. Install any portion of the drain or overflow hardware required, prior to bathtub installation.
2. Make sure the protective plastic liner is in the bathtub and/or place cardboard, or similar scratch-resistant material, in the bottom of the bathtub to prevent possible damage during further construction

IMPORTANT NOTICE

The bathtub clips must be installed on the bathtub flange prior to the bathtub being inserted into the stud pocket.

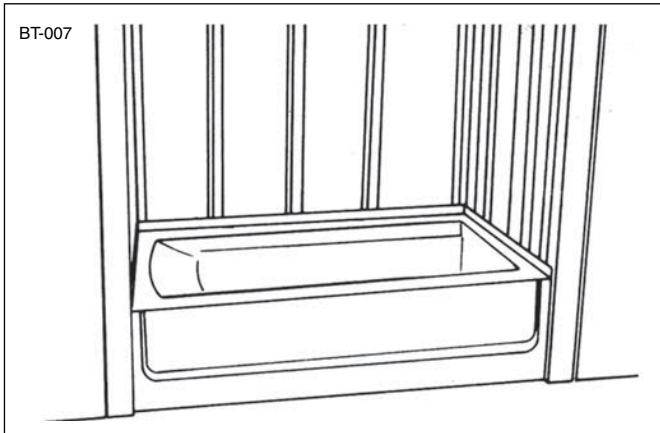
3. Snap the six bathtub clips onto the 1-1/2" bathtub flange. Once installed, the clips are designed to slide on the bathtub flange to easily locate clips in line with the stud locations.

Note: To properly secure the bathtub, the flange clips must be attached to solid framework. When installing the bathtub over existing moisture resistant wall-board, (example 3) be sure to locate the wall studs and install the flange clips at those points, as shown.



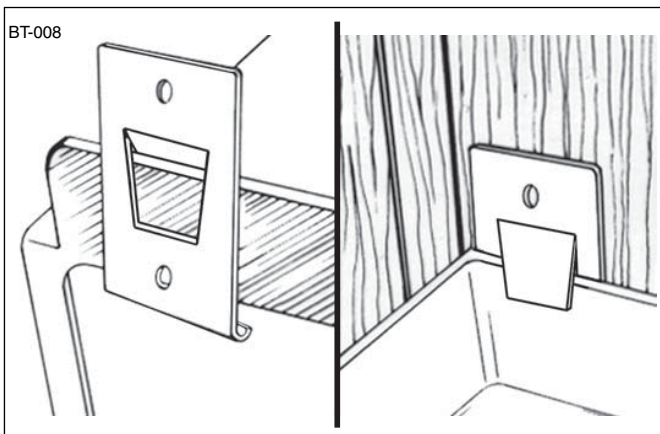
Installation Procedure

4. Trial fit the bathtub. Make sure the bathtub is level and all feet on the bathtub are making firm contact with the subfloor. Make sure all plumbing connections align properly.
 - a. It may be necessary to place shims under the bathtub for best overall subfloor contact. (See Special Application For Sound Deadening Or Fireproofing section in this manual).
 - b. It may also be necessary to shim between the bathtub flange and the enclosure framework, or the existing wall board, for best overall bathtub flange clip contact.



IMPORTANT NOTICE

Make sure all the bathtub clips contact (fit against) the studs or existing wall board. If a gap exists, shim behind the clips to prevent damage to the bathtub flange when the bathtub clip nails are installed

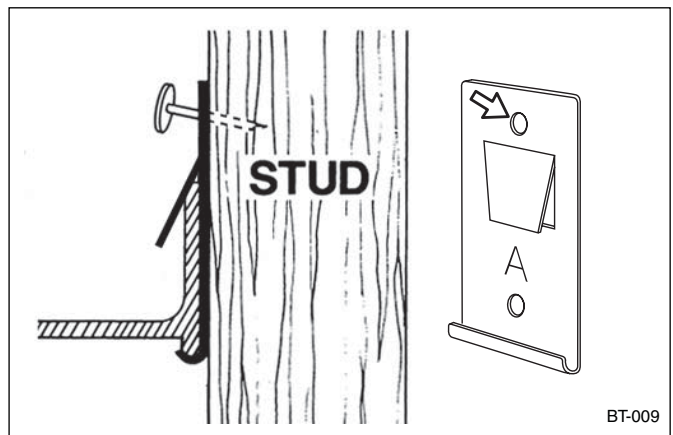


5. The bathtub is now ready for a slurry of fast drying cement (Quikrete or other product). Place up to a 1/2" thick layer of mortar or thinset on the floor. This will ensure complete contact and support by the existing subfloor, eliminating bathtub flex during normal use.

IMPORTANT NOTICE

This product is not designed for above-the-floor mounting (the base of the bathtub must be fully supported by the subfloor). Any application of this type, or application other than that covered in this manual, will void the warranty.

6. Place the bathtub into the framework enclosure and firmly press it into the mortar/thinset. The bottom front edge of the bathtub should contact the floor surface. Level the bathtub in both directions.
7. Secure the bathtub clips to the studs with large head roofing nails (one nail per clip). Allow the mortar/thinset to cure for 24 hours.



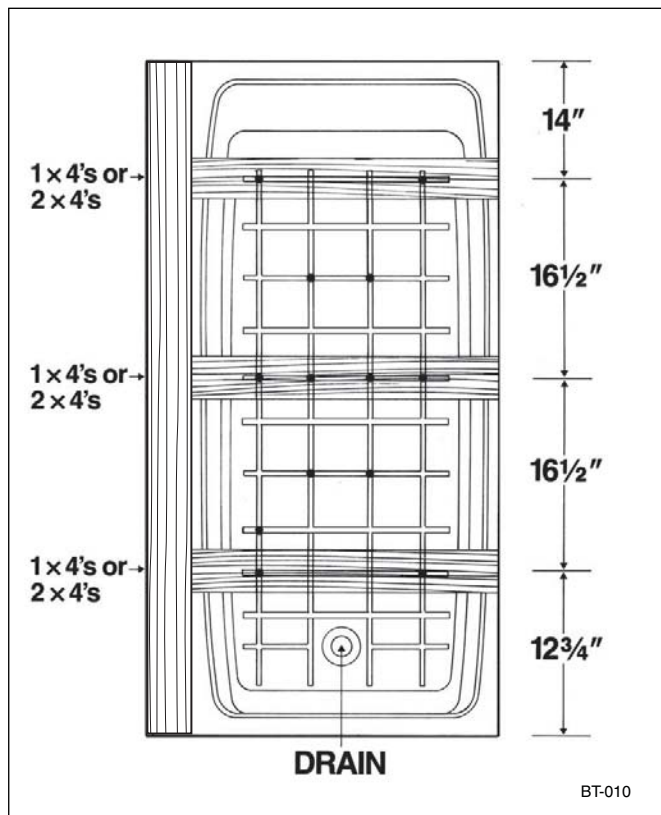
8. Make sure the protective plastic liner is in the bathtub and/or place cardboard, or similar scratch-resistant material, in the bottom of the bathtub to prevent possible damage during further construction
9. Follow all local building codes and manufacturers instructions to install the bathtub enclosure walls and install the plumbing fixtures.

Special Application For Sound Deadening or Fireproofing

If the bathtub must be elevated above the subfloor for sound deadening or fireproofing, excluding above the floor framework, the following procedures must be used:

Note: Depending upon wall board application, the bathtub enclosure must be framed out accordingly. Refer to the Understanding Framework Construction section for more information on wall board installation.

1. Refer to the plumbing fixture manufacturers instructions. Install any portion of the drain or overflow hardware required, prior to bathtub installation. Refer to the illustration in the Plumbing section for dimensions.
2. Snap the bathtub clips on the bathtub flange and locate as noted in the dimensions illustration.
3. Measure and locate 1 x 4's or 2 x 4's on the subfloor, as noted in the illustration in this section. Trial fit the bathtub and make sure there is full contact with the subfloor framework, the front bottom edge of the bathtub, and the feet on the bottom of the bathtub.



4. Make sure the bathtub is level in both directions. If shimming is necessary, shim between the 1 x 4's or 2 x 4's and the existing subfloor.

IMPORTANT NOTICE

This product is not designed for above-the-floor mounting (the base of the bathtub must be fully supported by the subfloor). Any application other than that covered in this manual, will void the warranty.

5. Remove the bathtub. Securely attach the 1 x 4's or 2 x 4's to the subfloor, in the positions determined in Step 3 and Step 4.
6. The subfloor is now ready for a slurry of fast drying cement (Quikrete or other product). This material must completely fill the areas between the 1 x 4's or 2 x 4's, where the bottom of the bathtub rests. This will ensure complete support of the bathtub.
7. Place the bathtub into the framework enclosure and firmly press it into the mortar/thinset. Level the bathtub in both directions.
8. Secure the bathtub to the framework studs by attaching the bathtub clips with large head roofing nails (one nail per clip).
9. Allow the mortar/thinset to cure for 24 hours.
10. Make sure the protective plastic liner is in the bathtub and/or place cardboard, or similar scratch-resistant material, in the bottom of the bathtub to prevent possible damage during further construction
11. Follow all local building codes and manufacturers instructions to install the bathtub enclosure walls and install the plumbing fixtures.

Water Testing

1. Before water testing the bathtub, remove any construction materials from the bathtub. Also remove the plastic liner/protector.
2. If possible, fill the bathtub with warm water and mild detergent. After draining the bathtub, rinse and if necessary, use a non-abrasive multipurpose cleaner.

Note: To remove especially tough residue or stains, use denatured alcohol or mineral spirits. If necessary, to remove adhesive or glue, use products containing Xylene or Toluene.

! WARNING



Solvents Hazard

Follow all manufacturer's safety instructions for silicone, denatured alcohol, and other solvents. Solvent vapors are both flammable and hazardous to breathe. Silicone vapors may irritate eyes and nose. Personal injury can result from improperly handling or use of products containing denatured alcohol, mineral spirits, or other solvents. Always follow the manufacturer's recommendations for the safe use of these products. Ventilate any work area before beginning to apply silicone, cleaning agents, or solvents.



Fumes Hazard

The fumes from the silicone caulk and solvents used by the installer can be harmful if used in an unventilated room. Always work in a well-ventilated area.

**The bathtub installation is now complete.
DO NOT discard these instructions.
PLEASE LEAVE THEM WITH THE
HOMEOWNER.**

Care and Cleaning

The BT-3060 Bathtub is made of Natural Gloss Composite reinforced polyester. The finish is stain and abrasion resistant; however, the finish requires reasonable care.

IMPORTANT NOTICE

Because cleaning products change over time, always check the manufacturer's instructions to make sure it is compatible. **DO NOT** use abrasive scouring powders, cleaners, or pads. They will dull the finish and void the warranty.

Day-To-Day Cleanup

Simply wash regularly with warm water; use a soft cloth with a mild liquid detergent such as Top Job, Ajax Liquid Cleaner, Mr. Clean All Purpose Cleaner, or Glass Plus.

Remove hard water stains or mineral build-up with scale removers such as Lime-Away.

Protect the finish with any fiberglass wax or automotive paste wax.

Caulking Joints

If silicone caulking was applied after installation of the wall panels or tile, inspect the caulking joints monthly for damage or any signs of separation from the mating surface. Cracks in the caulking will allow water to leak into the surrounding surfaces. **Reapply caulking to any joint showing signs of wear or cracking.** Failure to inspect and repair caulking joints will void the warranty.

LIMITED WARRANTY FOR RESIDENTIAL APPLICATIONS

If a Swanstone product covered by this warranty is found to be defective in materials or workmanship, after inspection by an authorized Swan Corporation representative, we will repair, or at our option, exchange the product for a similar model. This warranty extends for a designated period of time, so long as it remains in use in its original place of installation.

This warranty covers products installed in accordance with the Swan Corporation's installation instructions, used as recommended, and not damaged due to misuse, abuse, or improper installation. It does not apply to any seams or changes made to the product by professional tradesmen or fabricators.

The warranty applies only to the original purchaser and installation of these products in residential applications. It does not apply to commercial applications.

The Swan Corporation's option to repair or exchange the products under this warranty does not cover any labor or other costs of removal or installation, nor shall the Swan Corporation be responsible for any other incidental or consequential damages attributable to a product defect or to the repair or exchange of a defective product.

Limited Lifetime Warranty

Veritek Bathtubs

LIMITED WARRANTY FOR COMMERCIAL APPLICATIONS

If a Swanstone product covered by this warranty is found to be defective in materials or workmanship, after inspection by an authorized Swan Corporation representative, we will repair, or at our option, exchange the product for a similar model. This warranty extends for a designated period of time, so long as it remains in use in its original place of installation.

This warranty covers only products installed in accordance with the Swan Corporation's installation instructions, used as recommended, and not damaged due to misuse, abuse, or improper installation. It does not apply to any seams or changes made to the product by professional tradesmen or fabricators.

The warranty applies only to the original purchaser and installation of these products in commercial applications.

The Swan Corporation's option to repair or exchange the products under this warranty does not cover any labor or other costs of removal or installation, nor shall the Swan Corporation be responsible for any other incidental or consequential damages attributable to a product defect or to the repair or exchange of a defective product.

5-Year Limited Warranty

Veritek Bathtubs

Save these Installation Instructions for future reference. They provide important information on cleaning, maintenance, and surface repair of the Swanstone Wall Systems and Panels.

