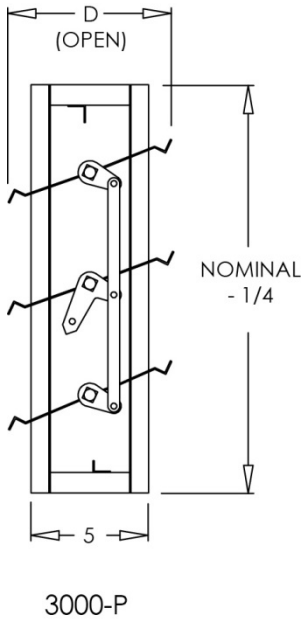
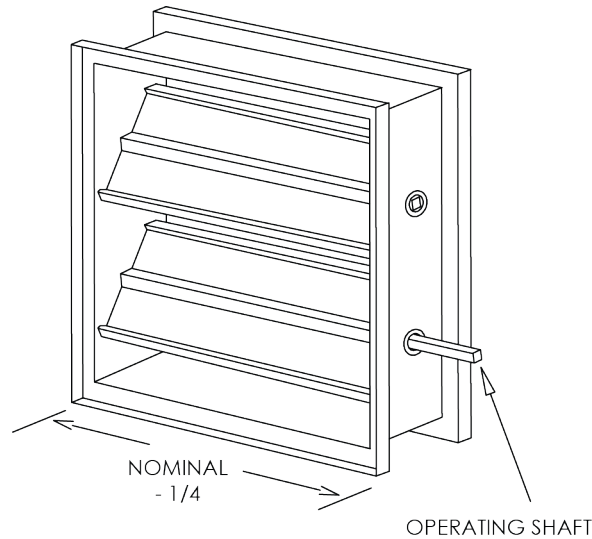




Damper Louver Submittal Sheet

3000-P Series

Parallel Blade Air Control Damper



Model: 3000-P

Description: Parallel Blade Air Control Damper

Standard Features:

- Parallel blade operation designed for volume control
- 16 gauge galvanized channel frame
- Galvanized blades are vee stiffened for extra strength and stability
- Blades pivot on high temperature nylon bushings
- 1/2" square zinc plated steel pivot pins
- 1/2" square zinc plated steel adjustable operating shaft, extends up to 4" beyond the air control frame
- Single blades on dampers with a height of 10" or less
- Blades run parallel to first dimension given
- Blades must be operated on horizontal plane
- Minimum size 6"x6"
- Maximum one piece size 48"x48"
- Galvanized Finish

Options:

- Low Leak Package: features stainless steel jamb seals, blade to blade neoprene seals, and 3% maximum leakage with a pressure differential 3" W.C. (3000-PLL)
- Air control damper with aluminum airfoil blades. The airfoil blade design provides excellent pressure drop performance over standard blade design (3000AF-P)
- Double blades on dampers with a height of 8" or 10" (i.e. 3000-P-8x8 DB.)
- 12 gauge galvanized construction
- Extended square operating shaft (extending 7 1/2" beyond the air control frame)
- Round operating shaft (1/2" diameter)
- Spring opening damper
- Spring closing damper
- Oil impregnated bronze bearings
- Outside mounting flange
- Direct mount damper motor (field installed.) Mounts on operating shaft. Standard operating shaft position is bottom right, back side of damper blades when viewed from face of the product.
- Fractional and exact O.D. dimensions

3000-P	
Height	Open Depth (D)
6"	5"
8"	7 1/8"
8" DB.	5 1/2"
10"	9 1/8"
10" DB.	5 1/2"
12"	5 3/4"
14"	6"
16"	7"

3000-P	
Height	Open Depth (D)
18"	8"
20"	6 1/2"
22"	7"
24"	8"
26"	6 1/2"
28"	7"
30"	8"
32"	6 1/2"

3000-P	
Height	Open Depth (D)
34"	7"
36"	8"
38"	6 1/2"
40"	7"
42"	8"
44"	6 1/2"
46"	7"
48"	8"

Additional Information:

Project / Location:
Engineer:
Architect:
Contractor:

Submittal Notes