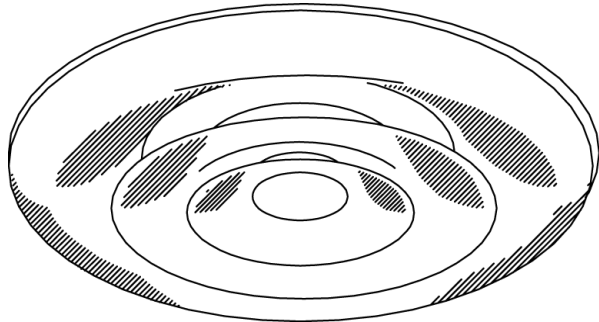




# Commercial Submittal Sheet

RDA Series

Adjustable Round Ceiling Diffuser



**Model:** RDA

**Description:** Adjustable Round Ceiling Diffuser

**Standard Features:**

- Adjustable round 3 cone ceiling diffuser
- Air pattern adjusts from horizontal to vertical by rotating core
- Thread adjustment design offers multiple throw configurations
- Spring latch removable core allows for easy installation
- First to market with 2" round collar with mounting holes for ease of installation
- Rust resistant durable powder finish
- Soft White

**Options:**

- Opposed Blade Radial Damper, available on 6" through 24" (RDA-OBR)

**Finishes:**

**Standard Colors**

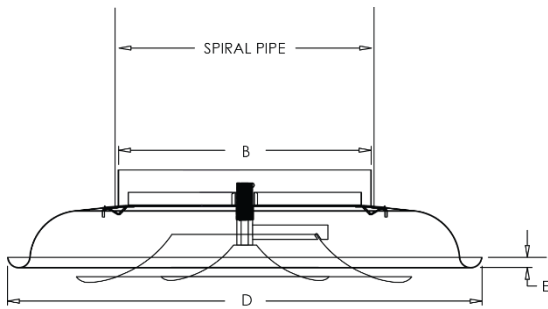
- Soft White
- Driftwood Tan

**Designer Colors**

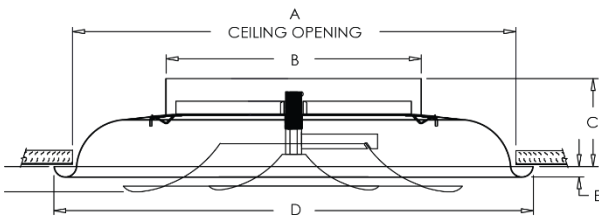
- Almond
- Black Velvet
- Bronze
- Camaro Silver
- Coffee Tan
- Navajo White
- Vanilla

**Other**

- Aluminum Paint
- Glossy White



RDA Duct Mount



RDA Ceiling Mount

**RDA Dimensions Listed in Inches**

Size	A	B	C	D	E
6"	12"	5 7/8"	3 3/4"	12 3/4"	1/2"
8"	12"	7 7/8"	3 3/4"	12 3/4"	1/2"
10"	17 3/4"	9 7/8"	4 3/8"	19 1/4"	3/4"
12"	17 3/4"	11 7/8"	4 3/8"	19 1/4"	3/4"
14"	24 1/4"	13 7/8"	4 3/4"	25 7/8"	3/4"
16"	24 1/4"	15 7/8"	4 3/4"	25 7/8"	3/4"
18"	29 1/8"	17 7/8"	5 3/8"	30 3/4"	3/4"
20"	29 1/8"	19 7/8"	5 3/8"	30 3/4"	3/4"
22"	35 1/2"	21 7/8"	6 1/8"	37"	3/4"
24"	35 1/2"	23 7/8"	6 1/8"	37"	3/4"

**Additional Information:**

Project / Location:	<b>Submittal Notes</b>
Engineer:	
Architect:	
Contractor:	