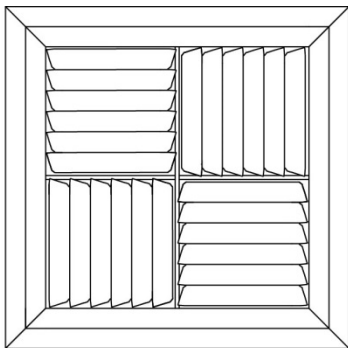




Commercial Submittal Sheet

MA Series

Modular Core Diffuser with Deep Ceiling Frame



Model: MA-DCF

Description: Modular Core Diffuser with Deep Ceiling Frame

Standard Features:

- Deep Ceiling Frame – the steel Deep Ceiling Frame design prevents smudging of ceiling surface area surrounding the diffuser by projecting down from the ceiling to disperse the air along the ceiling but not directly on it
- Concealed mount for clean design and appearance
- Adjustable modular cores with fixed curved blades
- Maintains horizontal airflow pattern
- Square collar
- Rust resistant pre-coat with durable powder finish
- Soft White

Options:

- Recessed screwdriver operated Opposed Blade Damper (MA-0-DCF)
- 2" ADC compliant round collar with bead for ease of installation – available in square sizes only
- T-20 Tamper Proof Screws

Finishes:

Standard Colors

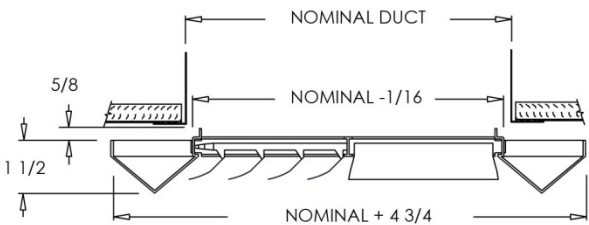
- Soft White
- Driftwood Tan

Designer Colors

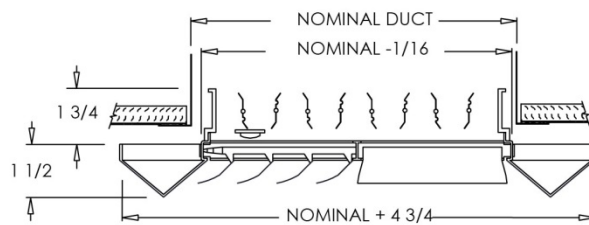
- Almond
- Black Velvet
- Bronze
- Camaro Silver
- Coffee Tan
- Navajo White
- Vanilla

Other

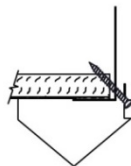
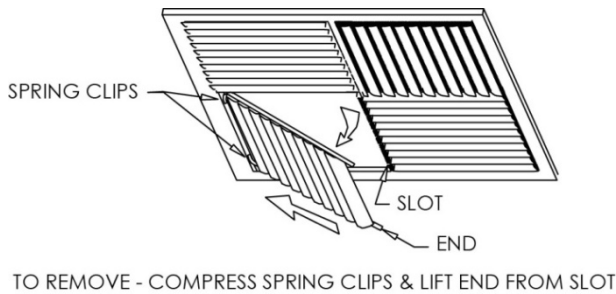
- Aluminum Paint
- Glossy White



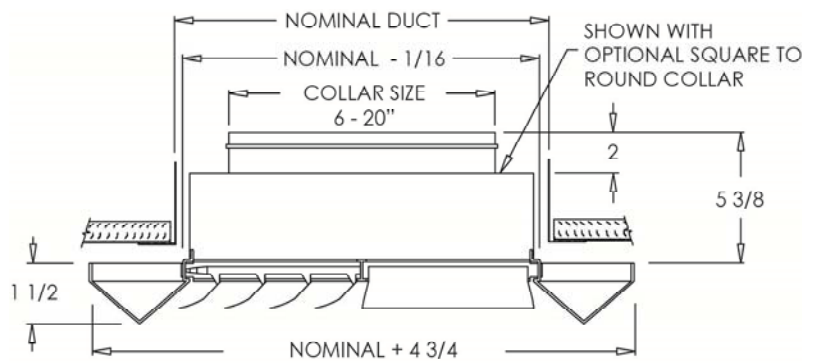
MA-DCF



MAO-DCF



MA-DCF
Concealed Mount



MA-DCF with Square to Round Collar (optional)

Additional Information:

Project / Location:
Engineer:
Architect:
Contractor:

Submittal Notes