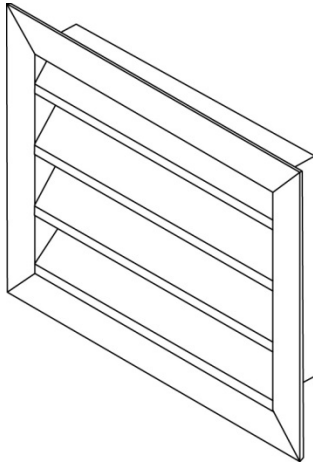




Damper Louver Submittal Sheet

4550 Series

Stationary 2" Outside Air Louver



Model: 4550

Description: Stationary 2" Outside Air Louver

Standard Features:

- Extruded aluminum construction
- Standard flange frame
- 2" depth
- Louvers set at 45° on 2" centers
- Storm bend on louvers to minimize water from entering behind louver
- Bird screen (1/2" x 1/2")
- Blades run parallel to first dimension given
- Minimum size 6"x6"
- Maximum one piece size 96"x60"
- Driftwood Tan

Options:

- Flush mount channel frame (4550-CF)
- Offset flange frame, must specify flange placement (4550-OF)
- Insect Screen (1/16" x 1/16") (4550-IS)
- Removable bird screen (4550-RS)
- Galvanneal steel construction
- Marine 12 gauge galvanneal construction with fully welded steel frame and louvers
- Fractional, exact I.D. and O.D. dimensions

Finishes:

Standard Colors

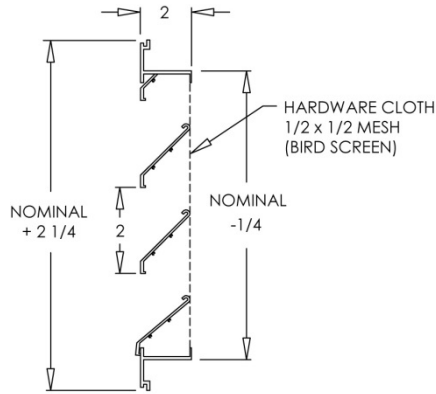
- Soft White
- Driftwood Tan

Designer Colors

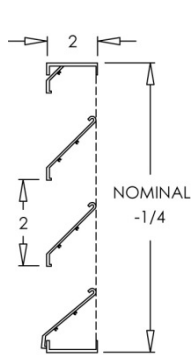
- Almond
- Black Velvet
- Bronze
- Camaro Silver
- Coffee Tan
- Navajo White
- Vanilla

Other

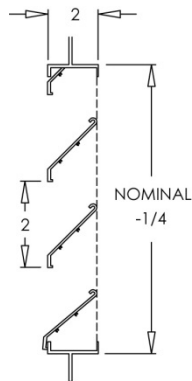
- Aluminum Paint
- Glossy White
- Mill Finish



4550-FF
STANDARD



4550-CF



4550-OF

Additional Information:

Project / Location:	Submittal Notes
Engineer:	
Architect:	
Contractor:	