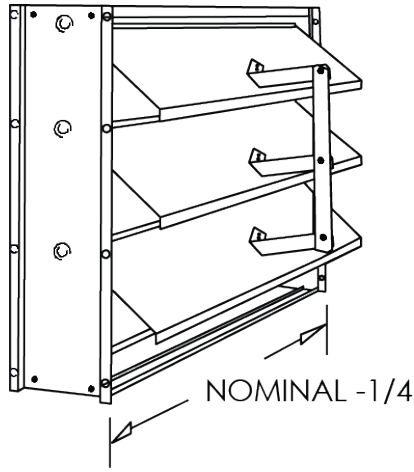




# Damper Louver Submittal Sheet

## 3510 Series

### Vertical Mount Pressure Relief Damper



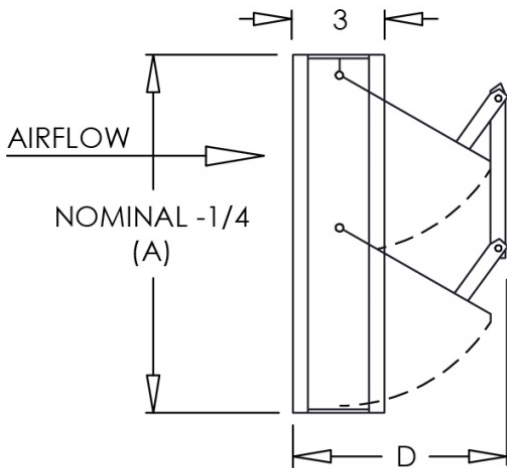
**Model:** 3510  
**Description:** Vertical Mount Pressure Relief Damper

**Standard Features:**

- Designed to open in negative or positive pressures for intake or exhaust air
- All aluminum construction
- Blade to blade linkage
- Foam tape sealed blade edges to dampen noise
- Single blades on dampers with a height of 10" or less
- Blades run parallel to first dimension given
- 1/4" pivot pins in nylon bearings
- Minimum size 6"x6"
- Maximum size 24"x24"
- Mill Finish

**Options:**

- Adjustable counter balance arms mounted to center of blades. Adjustable weights can be positioned along arm for various opening pressures. Available only on dampers with multiple blades.
- Mounting flange
- Sleeves (contact factory for details)
- Fractional and exact O.D. dimensions



3510

3510	
Dimension (A)	Open Depth (D)
6"	6 1/4"
8"	8 1/4"
10"	10 1/4"
12"	7 7/8"
14"	8 3/4"
16"	7 1/2"
18"	8 5/8"
20"	7 3/4"
24"	8 1/8"

**Additional Information:**

Project / Location:
Engineer:
Architect:
Contractor:

**Submittal Notes**