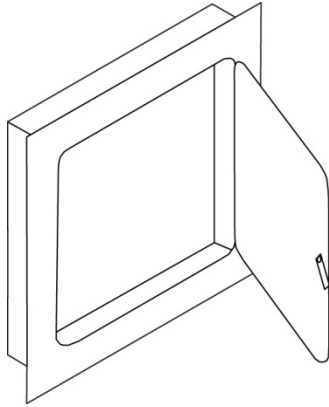




Damper Louver Submittal Sheet

6700 Series

Drywall Access Door



6700

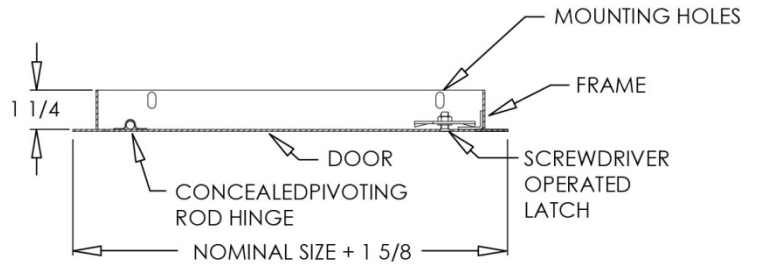
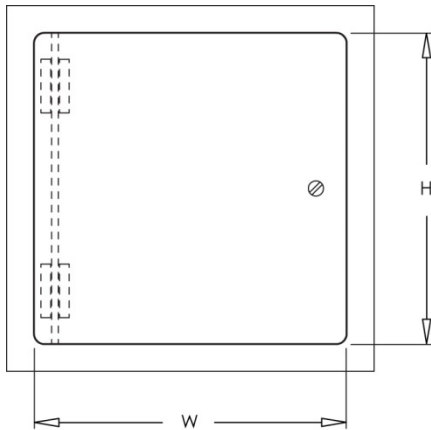
Model: 6700
Description: Drywall Access Door

Standard Features:

- 16 gauge galvanized steel construction
- One piece constructed 1" wide flange frame for concealment of rough wall opening
- 1/4" mounting slots for fastening within furred spaces allows faster installation and maximum clearance
- Concealed pivoting rod hinge, doors 24" and larger are constructed with a continuous piano hinge
- Screwdriver operated latch
- Prime Coat Finish

Options:

- Type 304 stainless steel construction (6700-SS)



Product Notes:

Minimum wall opening must be the nominal door size plus 3/4"

Additional Information:

Project / Location:

Engineer:

Architect:

Contractor:

Submittal Notes