

2549 Series
2550 Series
Thinline 2" Frame Round Curtain-type
1-1/2 Hour Fire Damper

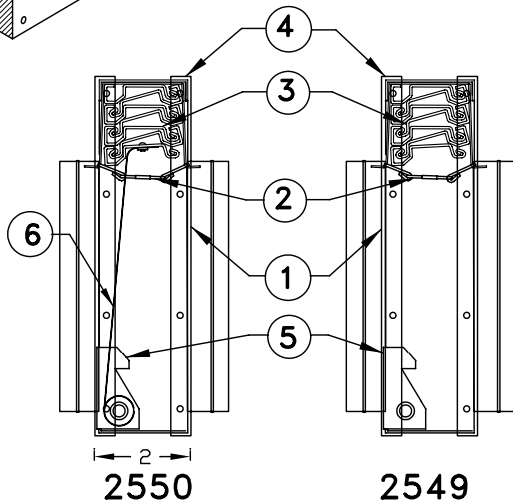
Standard:

2549- Round for Vertical mount.
 Available 4" thru 40" round
 2550- Round Spring actuated (6) for
 Horizontal or Vertical mount. Available
 4" thru 28" round

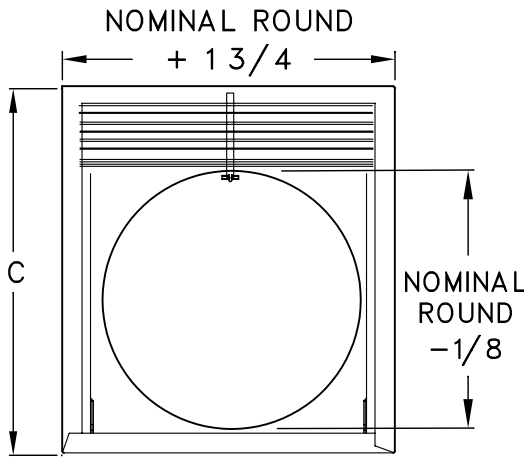
- 2" Thinline frame style
- Interlocking steel roll-formed blade (3)
 with roll-formed frames (1)
- Blade Lock (5)
- Damper manufactured from corrosion
 tested galvanized mild steel (G-90)
- Self locking corner (4)
- 165°F replaceable fusible link (2)

Optional:

- Sleeve variations



2550 2549



2549, 2550

Extended Sleeve height	
Duct Size	Height (C)
4-7"	+2 3/4"
8-12"	+3 3/4"
13-17"	+4 3/4"
18-24"	+5 3/4"
25-28"	+6 3/4"
* 29-34"	+7 3/4"
* 35-40"	+8 3/4"

'B' Dimension chart -
 Example: Height 'B' for 20"
 duct would be 24 3/4"
 * Model # 2549 only

PROJECT	SUBMITTAL REVIEW
LOCATION	
ENGINEER	
ARCHITECT	
CONTRACTOR	