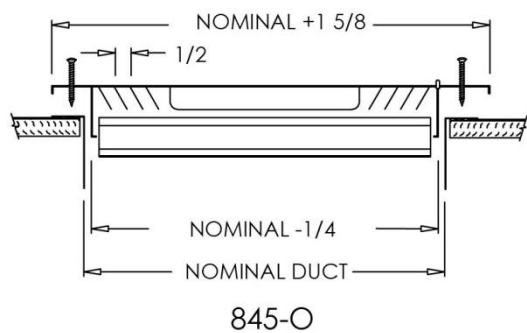
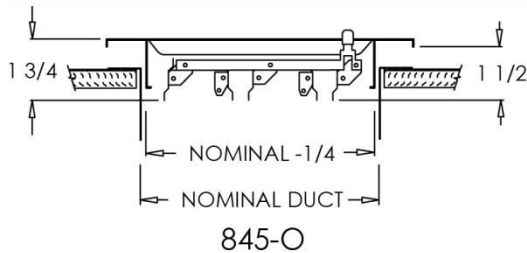
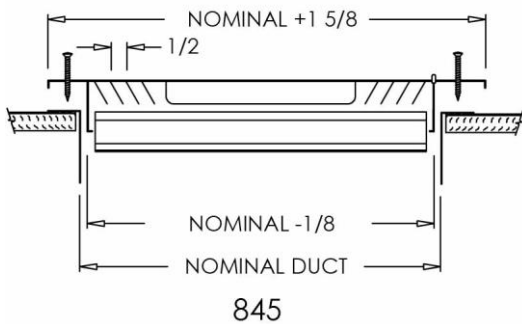
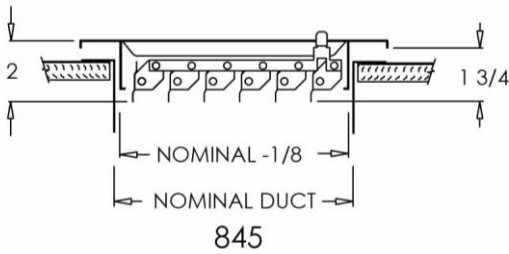
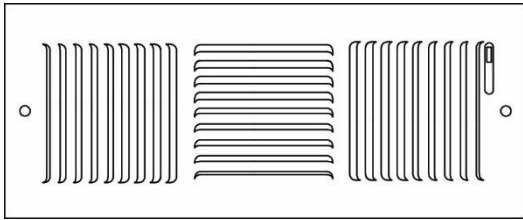




Residential Submittal Sheet

845 Series

3-Way Stamped Register



Model: 845

Description: 3-Way Stamped Register

Standard Features:

- 3-Way register with stiffened 1/2" fan shaped louvers for silent operation
- For ceiling or sidewall applications
- Lever operated multi-shutter damper
- All component parts, rivets, linkage, and handle enclosed in valve to assure trouble-free operation
- Countersunk mounting holes for flush appearance with color matching Phillips posi-drive screws
- Rust resistant pre-coat with durable powder finish
- Soft White

Options:

- Lever operated Opposed Blade Damper (845-0)
- Tool operated Opposed Blade Damper (TO-845-0)
- T-20 Tamper Proof Screws

Finishes:

Standard Colors

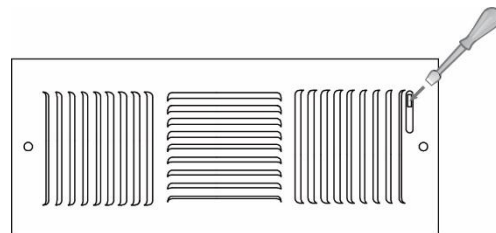
- Soft White
- Driftwood Tan

Designer Colors

- Almond
- Black Velvet
- Bronze
- Camaro Silver
- Coffee Tan
- Navajo White
- Vanilla

Custom Plating

- Antique Brass
- Black Nickel
- Oil Rub Bronze
- Pewter
- Polished Brass
- Polished Chrome
- Satin Nickel



Tool Operated OBD (TO-845-0)

Additional Information:

Project / Location:
Engineer:
Architect:
Contractor:

Submittal Notes