



DELTA COMMERCIAL

590T _ _ _ _

Write purchase model number here for future reference

203598

203598

203598

203598

203598

RP31704
Spray Outlet w/Wrench 0.5 GPM -
Vandal Resistant

060566A
Optional Spray Outlet w/Wrench
1.0 GPM-Vandal Resistant

060765A
Wrench

RP30523
Braided Hose

060905A
Cover
Gasket

060906A
Surface
Mount
Housing

060907A
Driver Board

060921A
Spout Assembly

Note: See page 3
for parts breakdown
on recessed mount
aluminum boxes.

060564A
Single Hole Deck
Gasket (6/Pkg)

RP6087
Nut and Washer

060416A
Bypass
Adapter

060910A
Solenoid
Valve with
3/8"
Compression
Connectors

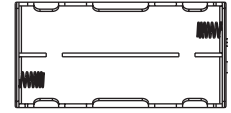
060913A
3/8" x 3/8"
Compression
Connector,
Nut and
Ferrile

060910A
Solenoid Valve
with 3/8"
Compression
Connectors

060908A
Solenoid Holder

060909A
Screen Assembly

OPTION LIST



060681A
Battery Holder



060571A
Mounting Hardware

TRANSFORMERS

060704A
Transformer 110 to 24 VAC 20VA
up to 5 Electronic Valves

060771A
Transformer 110 to 24 VAC 40VA
up to 10 Electronic Valves

060772A
Transformer 110 to 24 VAC 100VA
up to 25 Electronic Valves

DECK PLATES

060548A
4" Deck Plate Gasket (6/Pkg)

060546A
4" Deck Plate & Hold-Down Pkg

060549A
8" Deck Plate Gasket (6/Pkg)

060547A
8" Deck Plate & Hold-Down Pkg

NOTE: For optimum performance of this product, we recommend a system pressure between 20 and 80 PSI static. This product will operate up to a maximum of 125 PSI static per ANSI and CSA requirements. However, we do not recommend pressure above 80 PSI. Thermal expansion or leaking pressure reducing valves may require use of expansion tanks or relief valves to ensure your system never exceeds its maximum intended pressure setting.

060546A
4" Deck Plate and
Hold-Down Package

060547A
8" Deck Plate and
Hold-Down Package

RP6092
Nut and Washer

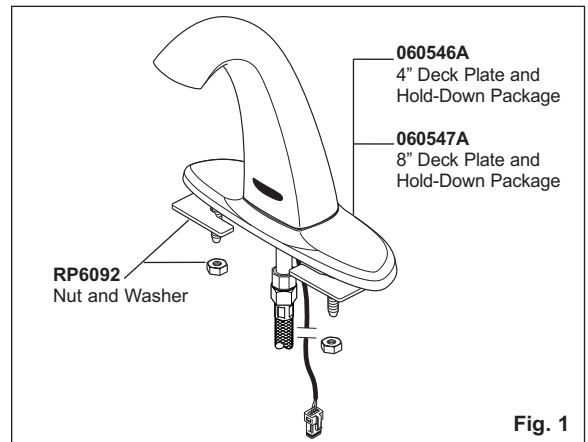


Fig. 1

Accessories

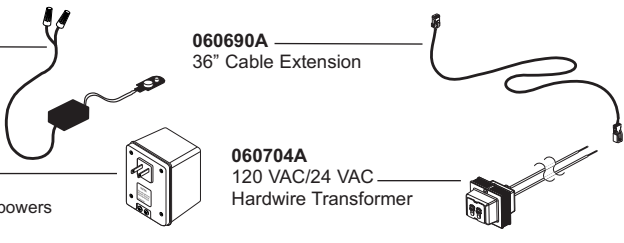
060683A
24 VAC/6.4 VDC
Converter

RP32856
120 VAC/24 VAC
Plug-in Transformer

Note: One transformer powers
up to 5 faucets

060690A
36" Cable Extension

060704A
120 VAC/24 VAC
Hardwire Transformer



PLEASE LEAVE this M&I Sheet with the owner, maintenance plumber, etc. as items relating to ongoing maintenance suggestions and procedures are included.

203598

203598

203598

203598

203598