

Weymouth® Technical Specification

Towel Bar

YB8418, YB8424

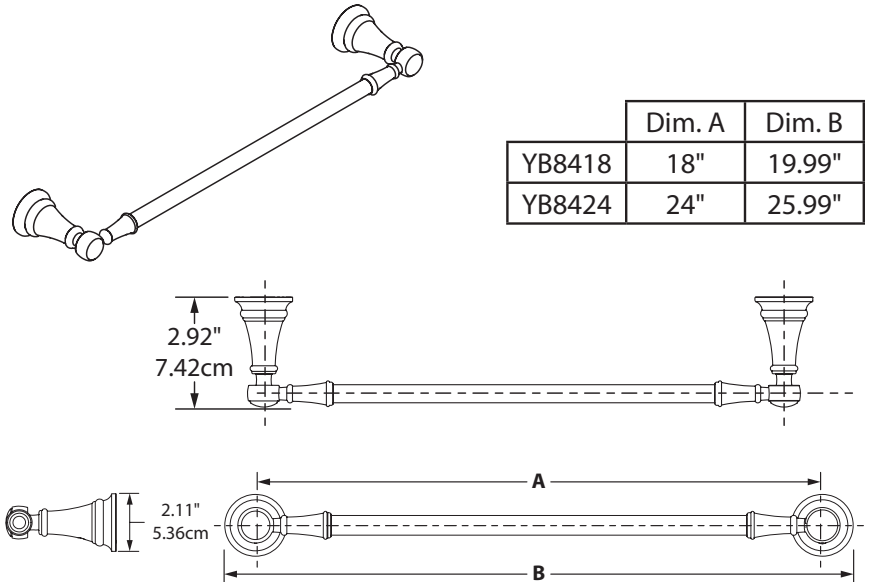
Stock Numbers:

- **YB8418CH – 18" Towel Bar**
Chrome Finish
- **YB8424CH – 24" Towel Bar**
Chrome Finish
- **YB8418BN – 18" Towel Bar**
Brushed Nickel Finish
- **YB8424BN – 24" Towel Bar**
Brushed Nickel Finish
- **YB8418ORB – 18" Towel Bar**
Oil Rubbed Bronze
- **YB8424ORB – 24" Towel Bar**
Oil Rubbed Bronze
- **YB8418BG – 18" Towel Bar**
Brushed Gold
- **YB8424BG – 24" Towel Bar**
Brushed Gold

Materials:

Towel Bar Posts are constructed of zinc and **towel bar** is constructed of brass.

Dimensions:



Installation Instructions:

1. Position the mounting template on the wall in the desired location. Using a level, align the template and tape it to the wall.
2. Remove each mounting post from the body by loosening the setscrew.
3. Place each mounting post on the template with notch facing down.
4. Mark the 2 large hole locations of each mounting bracket.
5. Attach each mounting bracket to the wall, using the wall anchors provided.
6. Mount each base on the corresponding mounting bracket. Check and make sure that the base set screw hole(s) are facing down. Assemble a set screw to each base. Use the allen wrench included in hardware kit to tighten each set screw and secure the assembly to the mounting bracket(s).
7. Tighten all 4 screws. Do not over tighten.
8. Place each post over the mounting plate (setscrew down). Pivoting post with bar to be on left side. Tighten both setscrews.

Cleaning Instructions:

To preserve the fine finish of this product, clean only with a soft damp cloth. Dry well. Do not use commercial or abrasive cleaners.

Stock Number: _____ Towel Bar
By Moen Incorporated

MOEN®

25300 AL MOEN DRIVE • NORTH OLMSTED, OH 44070
CORPORATE HEADQUARTERS: (800) 321-8809 • FAX: (800) 848-6636
INTERNATIONAL: (440) 962-2000 • FAX: (440) 962-2726
CUSTOMER SERVICE (USA): 800-882-0116 • FAX: (888) 379-2720
WWW.MOEN.COM

© 2018 Moen Incorporated. Moen is a registered trademark and Weymouth is a trademark of Moen Incorporated. All rights reserved.