

**SPECIFICATIONS**

**8" WALL MOUNT TUB SPOUT WITH DIVERTER**

**Description**

- Fits 1/2" copper or 1/2" IPS stub out nipple

**Standards**

MEETS ASME  
A112.18.1M/A112.18.1

- ASME A112.18.1M/A112.18.1

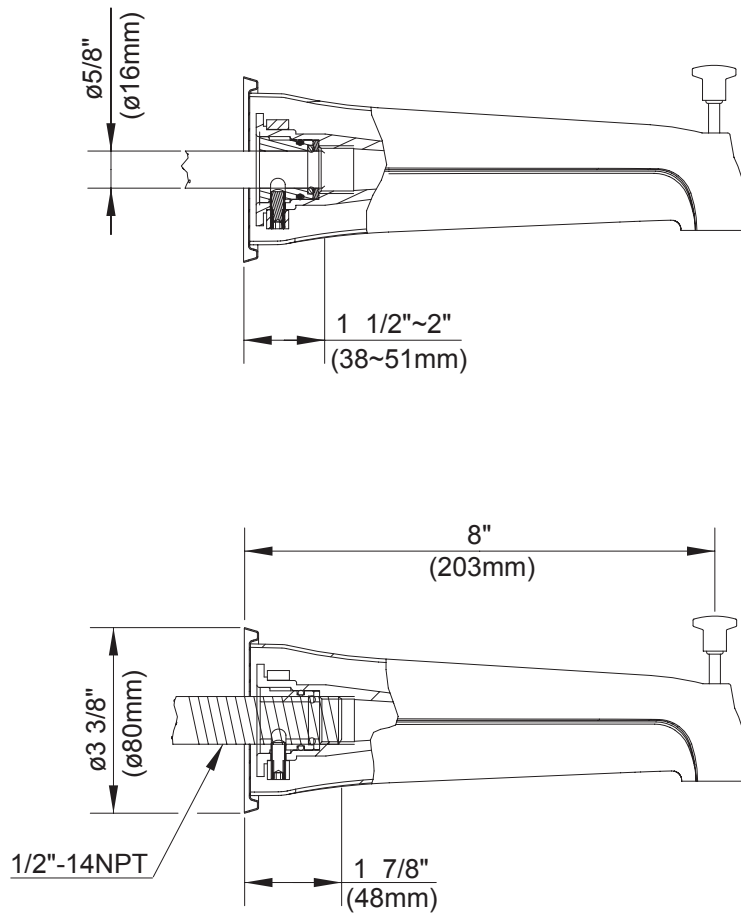
**Warranty**

Danze products are covered by a manufacturer's limited "lifetime" warranty for manufacturing defects.



**Finishes Available**

- Chrome
- Other: Refer to Price List for additional finish



**Submittal Information:**

Job Name: \_\_\_\_\_  
 Contractor: \_\_\_\_\_

Location: \_\_\_\_\_  
 Contact #: \_\_\_\_\_