

Reed™ Technical Specification

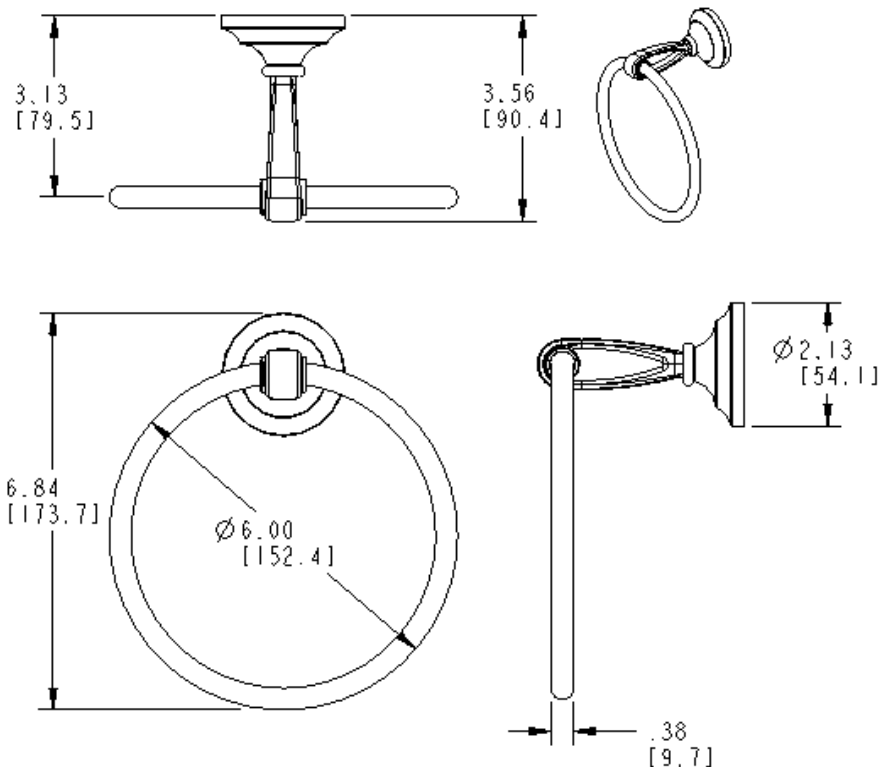
Towel Ring

DN1086

Stock Numbers:

- q **DN1086CH – Towel Ring**
Chrome Finish
- q **DN1086NLBN – Towel Ring**
Brushed Nickel & Polished Nickel
Finish

Dimensions:



Materials:

Towel Ring is constructed of zinc.

Installation Instructions:

1. Place metal bracket at desired position on the wall, large slots to be top and bottom and small holes to be right and left.
2. One at a time, place each anchor screw through the bracket, centered in the large hole. Using a Phillips screwdriver, turn the anchor screw while applying pressure. Screw will self drill and tap into drywall.
3. Do not over tighten.
4. Place the post with the setscrew down, over mounting bracket. Tighten the setscrew at the bottom of the base.

Cleaning Instructions:

To preserve the fine finish of this product, clean only with a soft damp cloth. Dry well. Do not use commercial or abrasive cleaners.

Stock Number: _____ **Towel Ring**
By Creative Specialties



25300 AL MOEN DRIVE • NORTH OLMSTED, OH 44070
CORPORATE HEADQUARTERS: (800) 321-8809 • FAX: (800) 848-6636
INTERNATIONAL: (440) 962-2000 • FAX: (440) 962-2726
CUSTOMER SERVICE (USA): 800-882-0116 • FAX: (888) 379-2720

©Copyright Creative Specialties International 2003

Literature #BA1180