

Reed™ Technical Specification

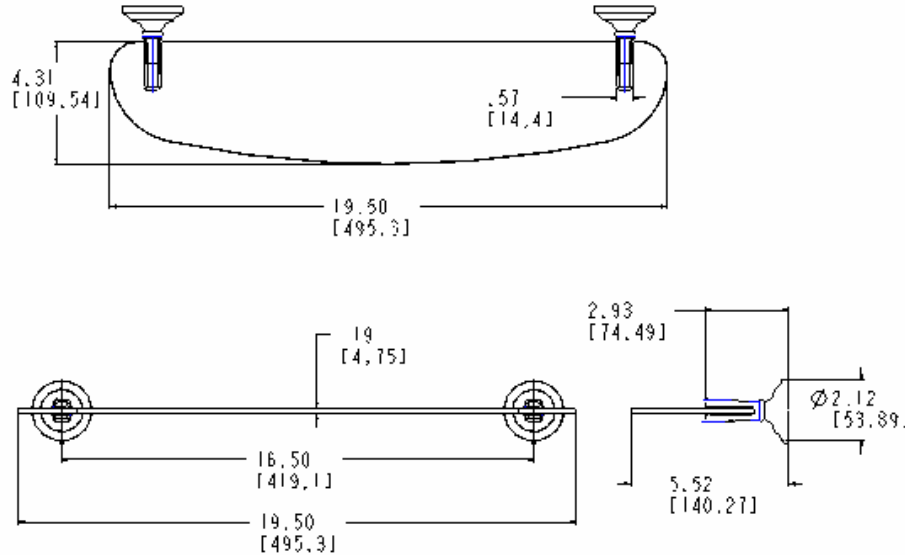
Glass Shelf

DN1090

Stock Numbers:

- q **DN1090CH – Glass Shelf**
Chrome Finish
- q **DN1090NLBN – Glass Shelf**
Brushed Nickel & Polished Nickel
Finish

Dimensions:



Materials:

Glass Shelf posts are constructed of zinc. Shelf is tempered glass.

Installation Instructions:

1. Position the mounting template on the wall in the desired location. Using a level, align the template and tape it to the wall.
2. Place each metal bracket over the template.
3. One at a time, place each anchor screw through the bracket, centered in the hole. Using a Phillips screwdriver, turn the anchor screw while applying pressure. Screw will self drill and tap into drywall.
4. Only insert screw $\frac{1}{2}$ " to $\frac{3}{4}$ " into wall.
5. After all screws are installed, tear the template away from the wall.
6. Tighten all 4 of the screws. Do not over tighten.
7. Assemble glass to each post by tightening the bottom support screw. Position the glass shelf over the mounting bracket and realign post on glass to match mounting brackets.
8. Place each post over the mounting plate with setscrew down. Tighten both setscrews.

Cleaning Instructions:

To preserve the fine finish of this product, clean only with a soft damp cloth. Dry well. Do not use commercial or abrasive cleaners.

Stock Number: _____ **Glass Shelf**
By Creative Specialties



25300 AL MOEN DRIVE • NORTH OLMS TED, OH 44070
CORPORATE HEADQUARTERS: (800) 321-8809 • FAX: (800) 848-6636
INTERNATIONAL: (440) 962-2000 • FAX: (440) 962-2726
CUSTOMER SERVICE (USA): 800-882-0116 • FAX: (888) 379-2720

©Copyright Creative Specialties International 2003

Literature #BA1181