



A Moen Incorporated Brand

S P E C I F I C A T I O N S H E E T



DESCRIPTION

- Metal construction with various finishes identified by suffix
- Includes 17ga brass or 50/50 pop-up type waste assembly where noted
- Connects to standard 3/8" stops
- Includes 24" flexible braided stainless steel supply lines permanently pre-installed
- Six (6) individual boxes per master carton

OPERATION

- Pivot action lever-style handle
- Temperature control by 90° arc
- Will operate with less than 5 lbs. of torque
- No grasping motion required to operate the faucet handle

FLOW

- Flow is limited to 1.5 gpm max. (5.7L/min) at 60 psi, for products made before October 2008 flow is limited to 2.2 gpm max. (8.3L/min)

CARTRIDGE

- European ceramic disc technology
- Non-metallic, non-ferrous, and plastic material
- Single body construction for easy replacement

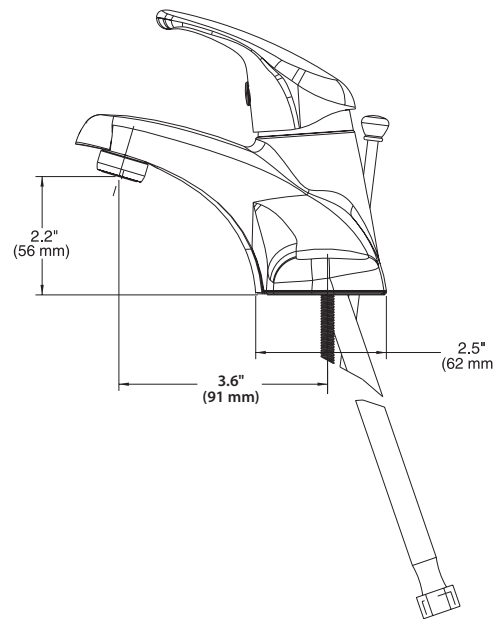
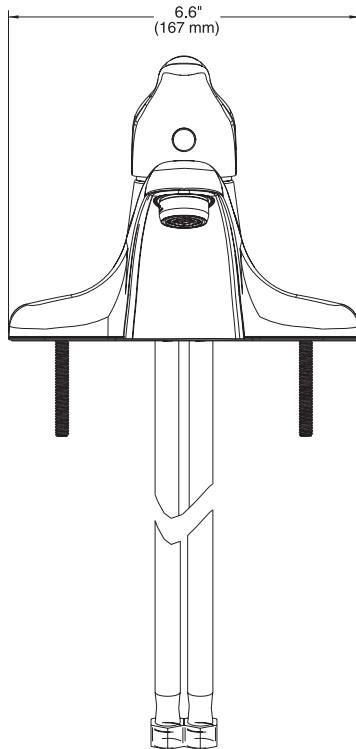
STANDARDS

- Third party certified to WaterSense® CSA B125.1, ASME A112.18.1 and all applicable requirements referenced therein including NSF61/9
- Contains no more than 0.25% weighted average lead content
- Complies with California Proposition 65 and the Federal Safe Water Drinking Act

- **ADA** for lever handle

WARRANTY — RESIDENTIAL, COMMERCIAL

- Ten year limited warranty against defects in materials and manufacturing workmanship
- Refer to the installation instructions enclosed with each CFG product or call 1-888-450-4910 for complete warranty information



One Handle Lavatory With Metal Waste (Quick Connect)

Models:

- CA40718 1H Lav with metal waste**
- CA40712 1H Lav with 50/50 waste**
- CA40719 1H Lav less waste**



CRITICAL DIMENSIONS

- Note: This faucet is designed to be installed through 3 holes, 1" minimum diameter, 4" centers
- Maximum deck thickness 1.375" (35 mm) - Spacer provided, discard spacer if deck thickness exceeds 0.625" (15.9 mm)

CRITICAL DIMENSIONS

(DO NOT SCALE)