

Yorkshire Technical Specification

Robe Hook

7603

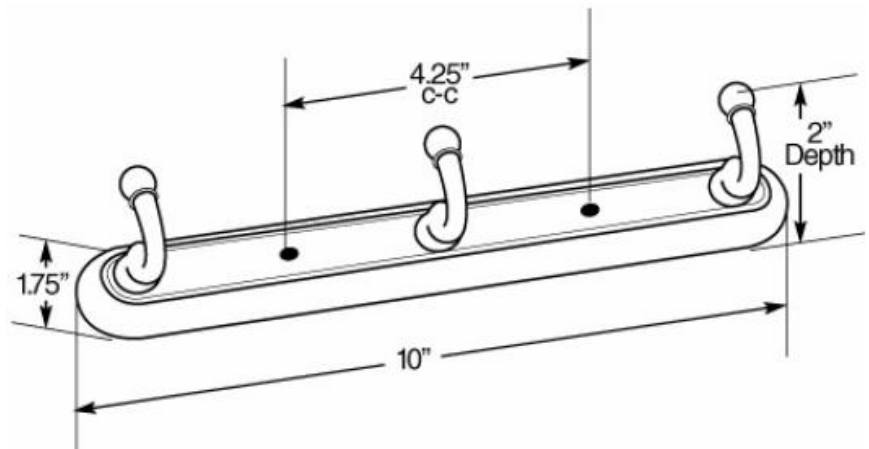
Stock Numbers:

- ❑ **7603BN – Triple Robe Hook**
Brushed Nickel Finish
Exposed Screw Mounting
- ❑ **7603CB – Triple Robe Hook**
Chrome & Brass Finish
Exposed Screw Mounting
- ❑ **7603CH – Triple Robe Hook**
Chrome Finish
Exposed Screw Mounting
- ❑ **7603OWB – Triple Robe Hook**
Old World Bronze Finish
Exposed Screw Mounting
- ❑ **7603W – Triple Robe Hook**
White Finish
Exposed Screw Mounting

Materials:

Triple Robe Hook is die cast from highest quality zinc alloy (Zamac). Castings are triple plated in a brushed nickel, polished chrome or combination chrome and brass finish, or powder coated in white or old world bronze finishes.

Dimensions:



Installation Instructions:

1. Position unit on wall in desired location.
2. Mark hole positions.
3. Drill starter holes.
4. Mount with 1 1/4" screws (provided).

Note: Wood blocking is preferable behind all wall surfaces. If wood blocking is not available, the following optional fasteners are suggested:

- Tile/Masonry – Plastic or Lead Anchors
- Plaster/Drywall – Toggle Bolts

Cleaning Instructions:

To preserve the fine finish of this product, clean only with a soft damp cloth. Dry well. Do not use commercial or abrasive cleaners.

Stock Number: _____ **Robe Hook**
By Creative Specialties



25300 AL MOEN DRIVE • NORTH OLMSDED, OH 44070
CORPORATE HEADQUARTERS: (800) 321-8809 • FAX: (800) 848-6636
INTERNATIONAL: (440) 962-2000 • FAX: (440) 962-2726
CUSTOMER SERVICE (USA): 800-882-0116 • FAX: (888) 379-2720
WWW.CSI.MOEN.COM

©Copyright Creative Specialties International

Literature # BA1070