

Home Care Technical Specification

Stackable Shower Seat

DN7038

Stock Numbers:

DN7038 – Stackable Shower Seat

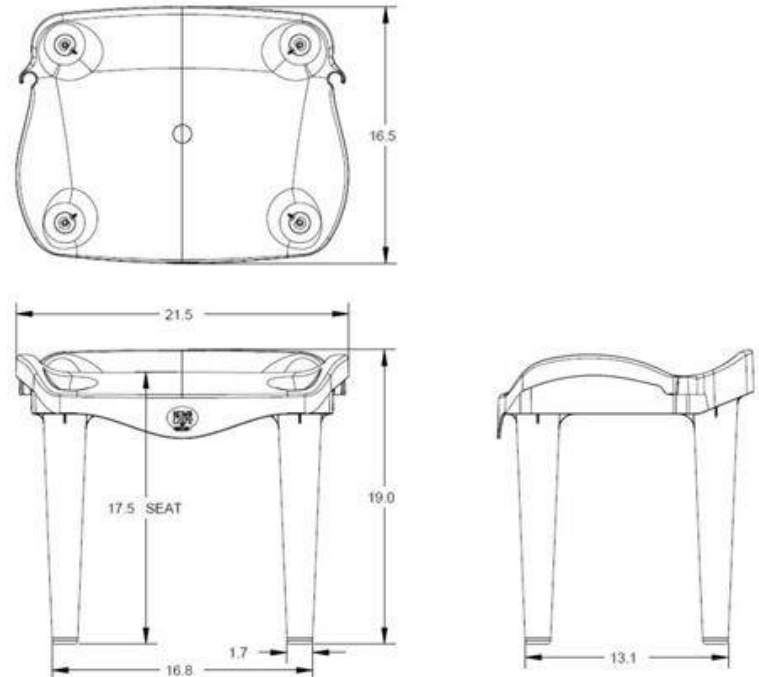
Materials:

Seat and legs - Polypropylene
Feet – Thermal Plastic Elastomer

Compliance:

- ADA
- Tested to 300 lbs. Weight Capacity

Dimensions:



Stock Number: _____ Stackable Shower Seat
By Creative Specialties

25300 AL MOEN DRIVE • NORTH OLMSTED, OH 44070
CORPORATE HEADQUARTERS: (800) 321-8809 • FAX: (800) 848-6636
INTERNATIONAL: (440) 962-2000 • FAX: (440) 962-2726
CUSTOMER SERVICE (USA): 800-882-0116 • FAX: (888) 379-2720
WWW. MOEN.COM

©Copyright Creative Specialties International