

Home Care Technical Specification

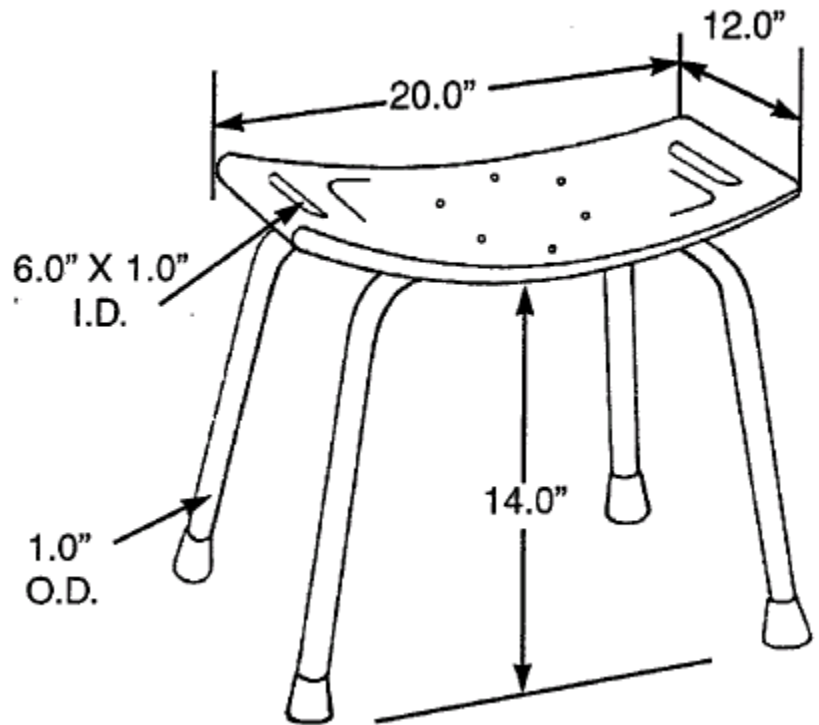
Tub/Shower Seat

DN7035

Stock Numbers:

- q **DN7035 – Tub/Shower Seat**
White
Photo Box Packaging with Handle

Dimensions:



Materials:

ASSEMBLY TESTED
TO CONFIRM ADA
COMPLIANCE



Tub/Shower Seat is made from high impact polypropylene. Legs are anodized aluminum with a powder coated white finish. Feet are gray rubber.

WARNING

This product has a maximum user weight of 250lbs. Do not jump or stand on this seat. Contact CSI Customer Service immediately at 1-800-882-0116 if any components are damaged or missing. Making substitutions or modifying this product in any way will void your warranty. CSI assumes no liability for any damage or injury caused by improper assembly, installation or use of this product.

Installation Instructions:

1. Position legs. Place leg "1" into groove "1" of the plastic seat panel so that the number "1" marks are next to each other. Then place leg "2" into groove "2", over leg "1" so that the number "2" marks are next to each other.
2. Attach legs. Insert a 1 ½" screw through a washer and the center hole of the legs and seat. Tighten several turns. Insert remaining four screws through washers into the four leg holes. Tighten all five screws fully. Test seat. Retighten as needed.

Stock Number: _____ **Tub/Shower Seat**
By CSI Bath Furnishings



25300 AL MOEN DRIVE • NORTH OLMSTED, OH 44070 (800) 321-8809 •
FAX: (800) 848-6636 • INTERNATIONAL: (440) 962-2000 •
FAX: (440) 962-2726 CUSTOMER SERVICE (USA): 800-882-0116
©Copyright CSI Bath Furnishing Division of Moen 02/22/01