

# Home Care Technical Specification

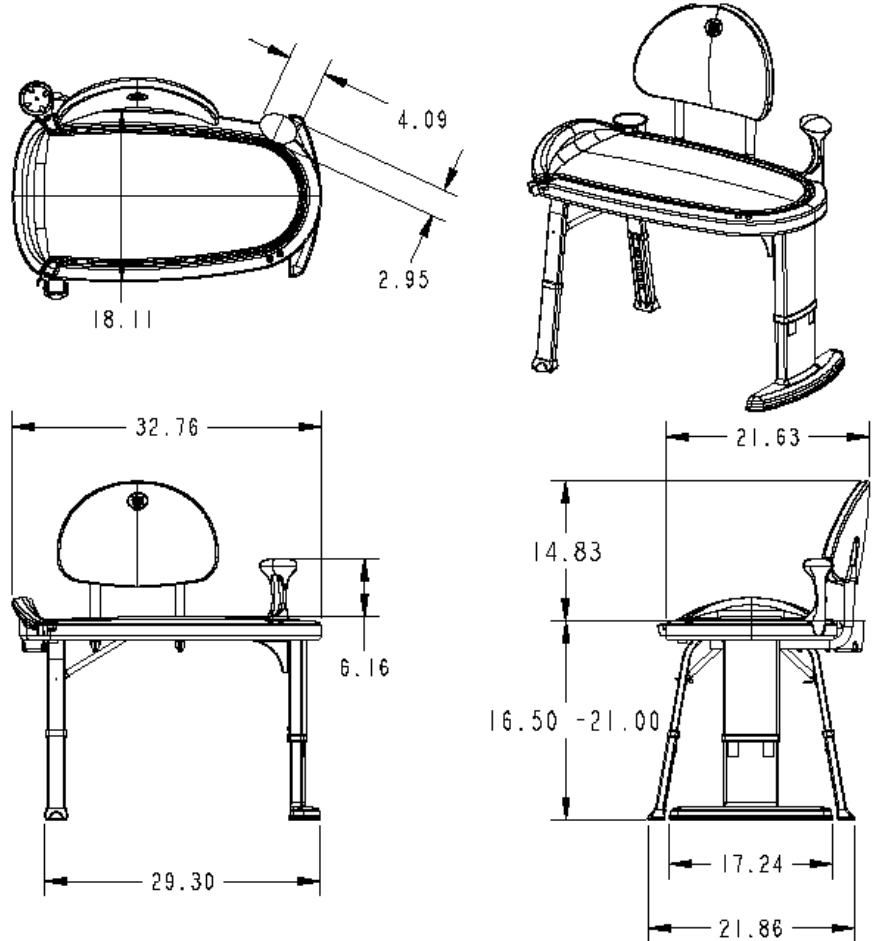
## Premium Transfer Bench

# DN7105

### Stock Numbers:

q DN7105 – Premium Transfer Bench

### Dimensions:



### Materials:

**Bench and Seat Back** are High Density Polyethylene (HDPE).  
**Legs** are 6063 Aluminum.  
**Arms** are Glass filled Polypropylene.  
**Feet** are Thermoplastic Rubber (TPR).  
**Front Foot** is Polypropylene.

**Stock Number:** \_\_\_\_\_ Premium Transfer Bench By Creative Specialties



25300 AL MOEN DRIVE • NORTH OLMSTED, OH 44070  
CORPORATE HEADQUARTERS: (800) 321-8809 • FAX: (800) 848-6636  
INTERNATIONAL: (440) 962-2000 • FAX: (440) 962-2726  
CUSTOMER SERVICE (USA): 800-882-0116 • FAX: (888) 379-2720  
WWW.CSI.MOEN.COM

©Copyright Creative Specialties International

Literature #BA1446