



Buy it for looks. Buy it for life.®

# Specifications

*There is more than 1 version of this model.  
Page down to identify the version you have.*

### FAUCET DESCRIPTION

- Metal construction with chrome plated finish
- Inlet shanks will accept 3/8" ball nose connections

### OPERATION

- Knob style handles with hot and cold color indicators
- Rotate either handle counterclockwise to open and clockwise to close

### FLOW

- Aerator is limited to 2.2 gpm max (8.3 L/min)

### CARTRIDGE

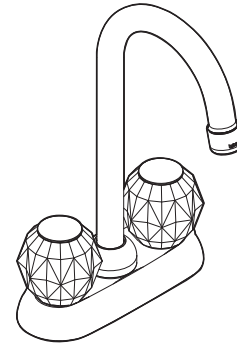
- 1224 cartridge design
- Nonmetallic and stainless steel material

### STANDARDS

- Designed and manufactured to comply with the requirements of: CSA B125.1, ASME A112.18.1 and all applicable requirements referenced therein
- Certified to ANSI/NSF 61/9
- Contains no more than 0.25% weighted average lead content
- Complies with California Proposition 65 and with the Federal Safe Drinking Water Act

### WARRANTY

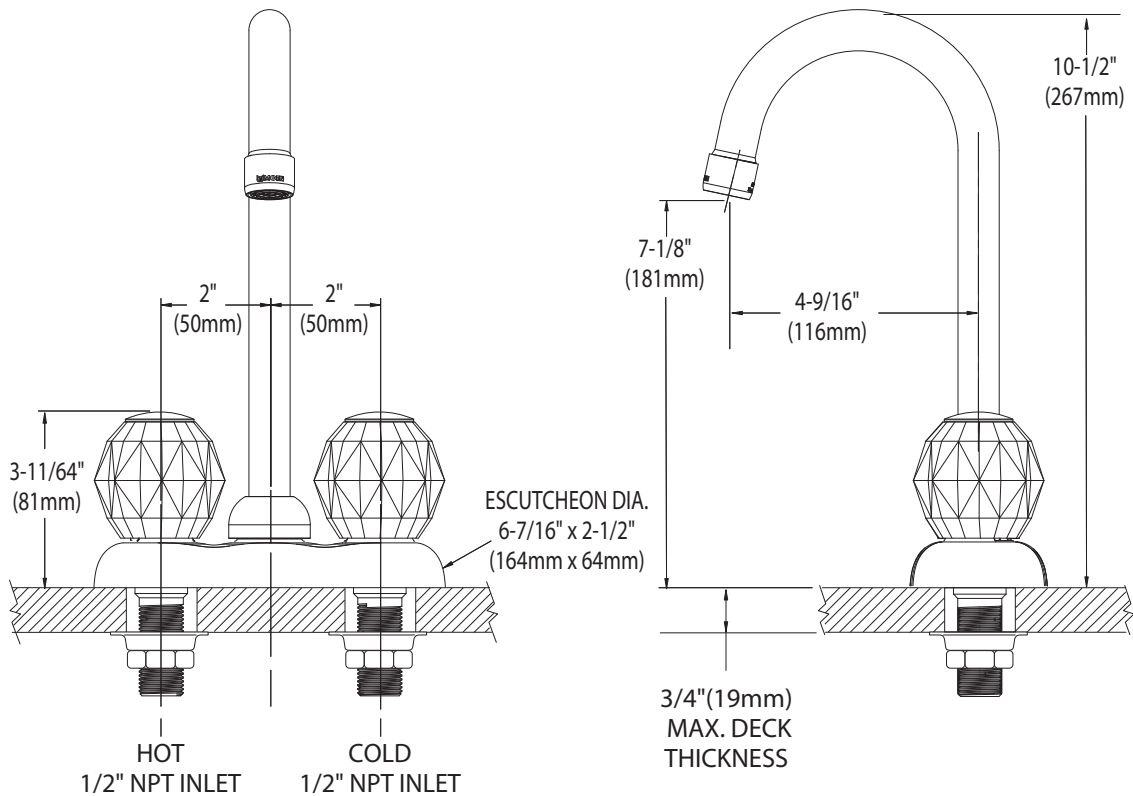
- Lifetime limited warranty against leaks, drips and finish defects to the original consumer purchaser
- 5 year warranty if used in commercial installations



**CHATEAU®**  
**Two-Handle Bar Faucet**

**Model: 4910**

**NOTE:** Designed to be installed through  
2 - 1" min. dia. holes 4" on center



## CRITICAL DIMENSIONS

(DO NOT SCALE)

**FOR MORE INFORMATION CALL: 1-800-BUY-MOEN**

**www.moen.com**



Buy it for looks. Buy it for life.®

# Specifications

### FAUCET DESCRIPTION

- Metal construction with either chrome plated or LifeShine® polished brass finish
- Inlet shanks will accept 3/8" ball nose connections

### OPERATION

- Knob style handles
- Counterclockwise on/Clockwise off

### FLOW

- Aerator is limited to 2.2 gpm max (8.3 L/min)

### CARTRIDGE

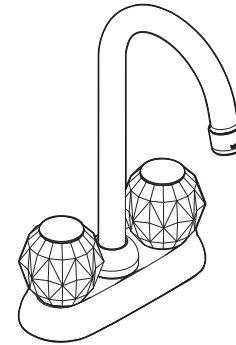
- 1224 cartridge design
- Nonmetallic and stainless steel material

### STANDARDS

- Designed and manufactured to comply with the requirements of: CSA B-125 and ASME A112.18.1M and all applicable requirements referenced therein
- Certified to ANSI/NSF 61/9
- Complies with California Proposition 65 and with the Federal Safe Drinking Water Act

### WARRANTY

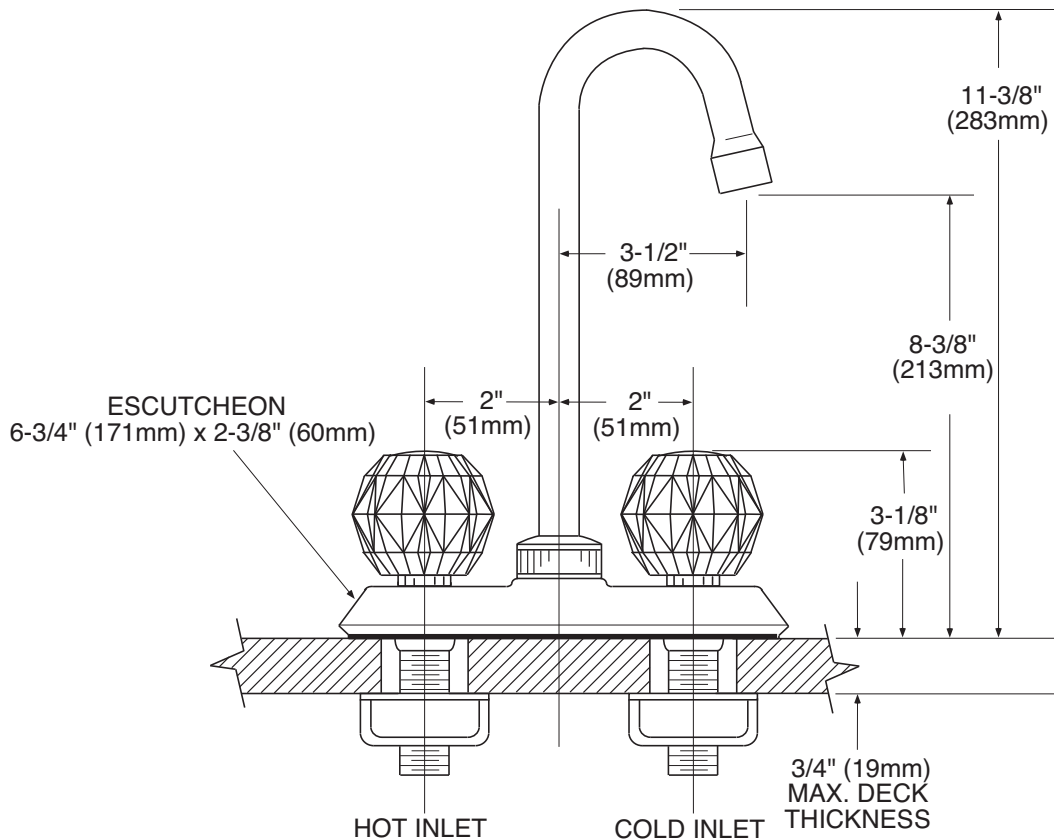
- Lifetime limited warranty against leaks, drips and finish defects to the original consumer purchaser
- 5 year warranty if used in commercial installations



**CHATEAU®**  
**Two Handle Bar Faucet**

**Models:** 4910, 4910P

**NOTE:** DESIGNED TO INSTALL  
THRU 2 HOLES 1" (25mm) MIN. DIA.  
AND 4" (102mm) ON CENTER



### CRITICAL DIMENSIONS

(DO NOT SCALE)

FOR MORE INFORMATION CALL: 1-800-BUY-MOEN

[www.moen.com](http://www.moen.com)