

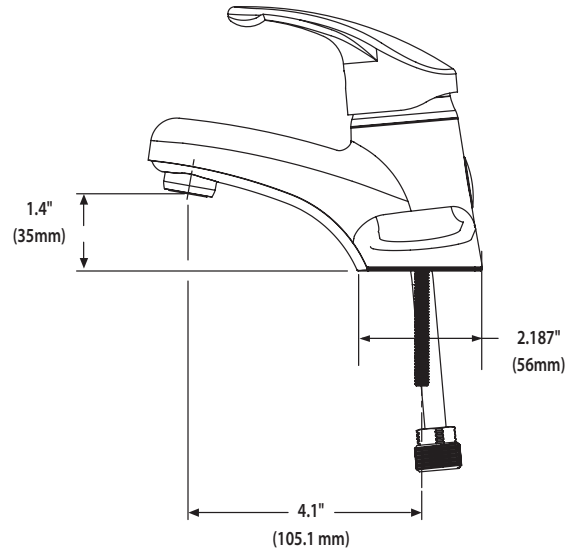
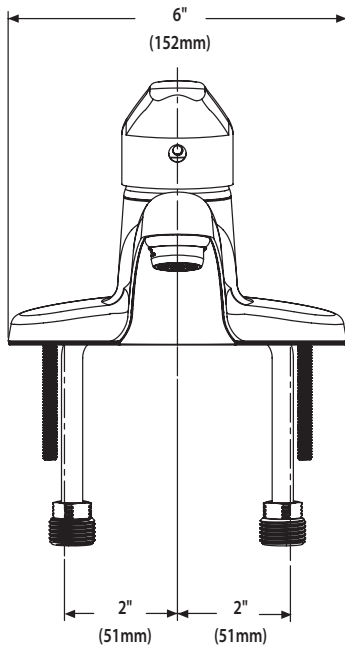
Model: 47713L



A Moen Incorporated Brand

CRITICAL DIMENSIONS

- **Note:** This faucet is designed to be installed through 3 holes, 1" minimum diameter, 4" centers
- Maximum deck thickness 1.375" (35 mm) – Spacer provided, discard spacer if deck thickness exceeds 0.625" (15.9mm)



PART NUMBERS

Números de partes / Numéro de pièces

