

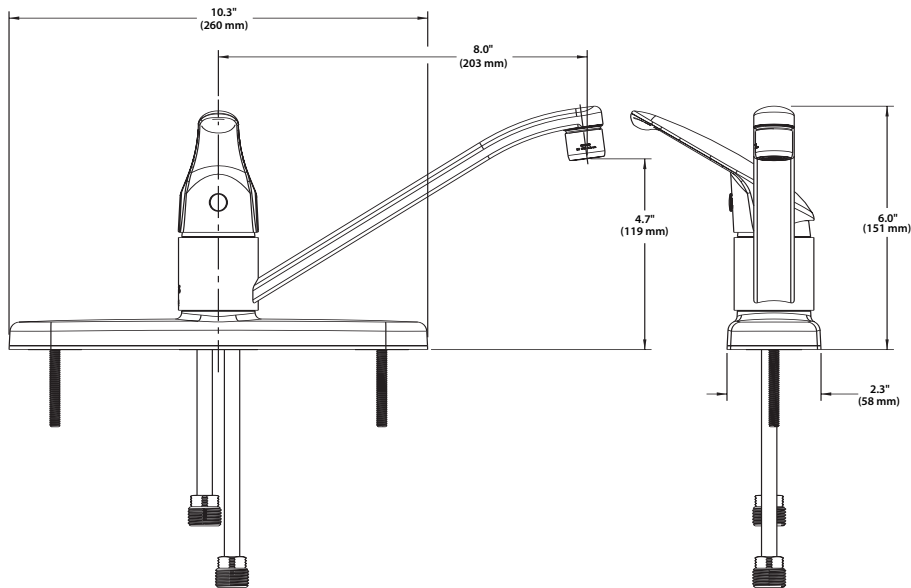


A Moen Incorporated Brand

Model: 47513 series

**CRITICAL DIMENSIONS**

- **Note:** This faucet is designed to be installed through 4 holes. 1" minimum diameter, 8" centers
- Maximum deck thickness 1.5" (38.1 mm) – Spacer provided. Discard spacer if deck thickness exceeds 0.875" (22.2mm)



**PART NUMBERS**

Números de partes  
Numéro de pièces

