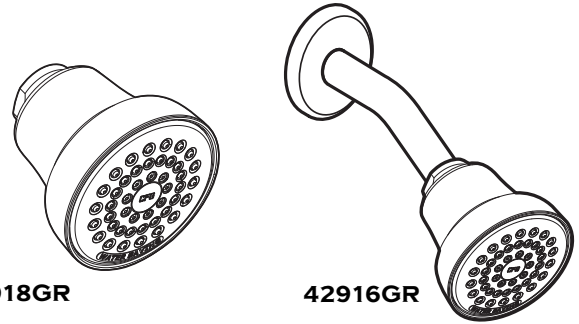




A Moen Incorporated Brand

Models: 42018GR, 42018BNGR,  
42916GR, 42916BNGR



42018GR

42916GR

## 1.75 GPM Water Saving Showerhead, Arm and Flange

### DESCRIPTION

- Fixed mount showerhead
- Nonmetallic spray face and shell
- Brass swivel ball assembly
- Available in Chrome and LifeShine® Brushed Nickel

### WARRANTY - RESIDENTIAL, COMMERCIAL

- Ten (10) year limited warranty against defects in materials and manufacturing workmanship
- Refer to the installation instructions enclosed with each CFG product or call 1-888-450-4910 for complete warranty information.

### FLOW

- Designed to deliver 1.75 gpm (6.65 L/min) MAX at 80 psi

### STANDARDS

- Third party certified to WaterSense®, ASME A112.18.1/CSA B-125.1 and all applicable requirements referenced therein
- IAPMO Green Listed

### CRITICAL DIMENSIONS

